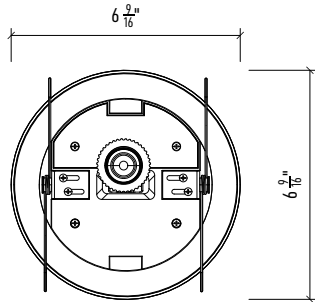
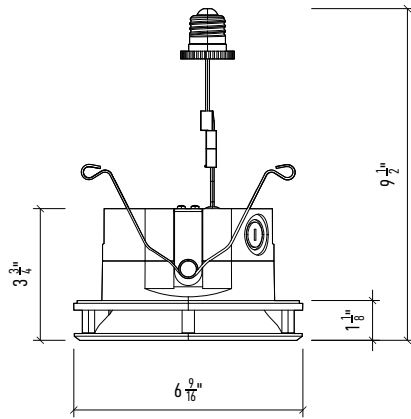


DIMENSIONS

TOP



LEFT



OVERVIEW

There is an ultraviolet upper air radiation device inside, which forms a UVC upper layer of the space. The inside fan of device causes the indoor air convection effect to remove the fine particles floating in the air. bacteria and viruses rise to the UV flat radiation layer, and use the upper air radiation to purify viruses and bacteria.

FIXTURE SPECIFICATIONS

TOTAL POWER	18W
VOLTAGE	100-277V AC
AIR VOLUME	8.1 cfm (13.8 m ² /h)
NOISE (dB)	38
EFFECTIVE VOLUME	15.6 m ³
EFFECTIVE AREA	6 m ²
WORKING TEMP. (°C)	-10°C~40°C
APERTURE	5-inch, 6-inch J-box
WARRANTY	2 years
NOISE (dB)	36.86 (lv 1), 39.72 (lv 2), 45.92 (lv 3)
LED POWER	10W
LED CHIP TYPE	2835
LUMENS	850 lm
CCT	30K/40K/50K
CRI	80+
POWER FACTOR	0.88

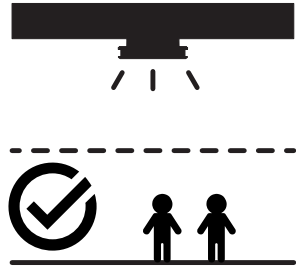
UVC SPECIFICATIONS

UVC POWER	8W
UVC SOURCE TYPE	0.6W UVC-LED 3939
LED CHIP QUANTITY	8 pieces
LED LIFESPAN	10,000 hours at L70
UVC WAVELENGTH	275 nm
UVC RADIANT POWER	160 mw
UVC LIGHT ANGLE	30°
EFFECTIVE AREA	~64 ft ²
EFFECTIVE VOLUME	~550 ft ³



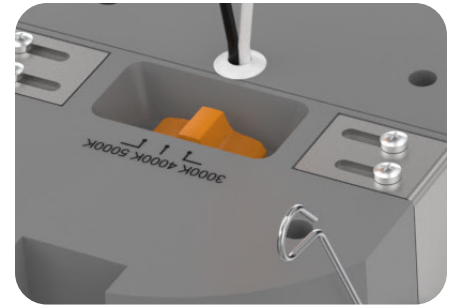
UPPER ROOM PURIFICATION

The upper room air purification system operates while commercial activities continue below. Environmentally-friendly: No ozone emission during or after use

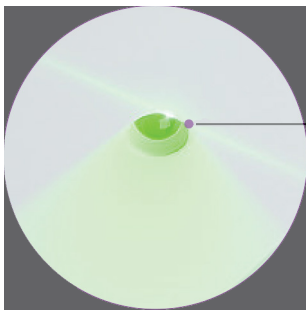


MULTI-CCT

You have the option to choose between 3 different color temperatures according to your own interest or environmental demands



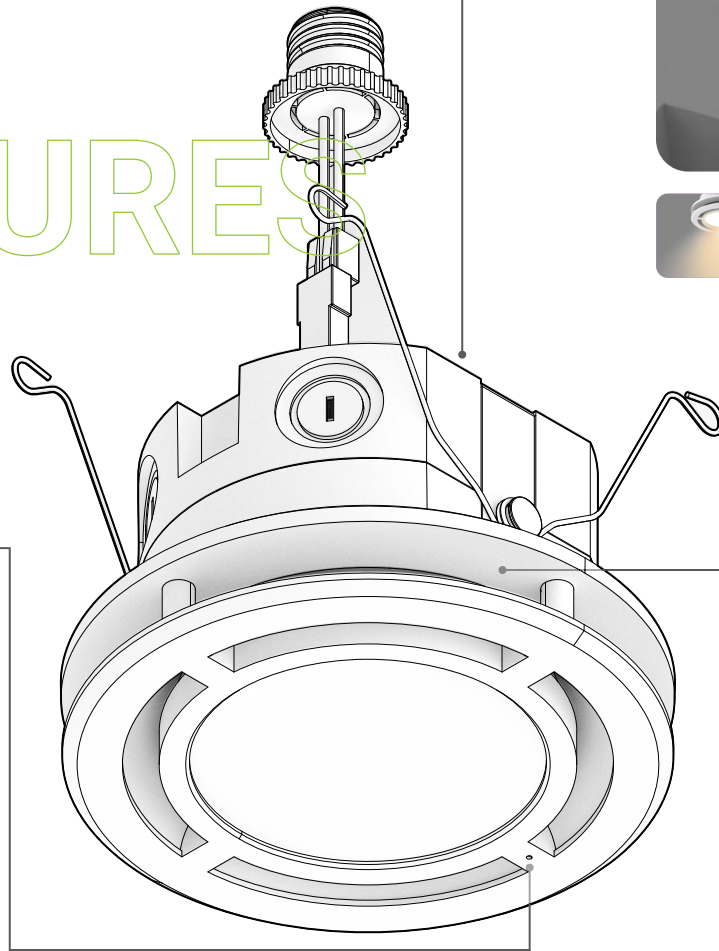
FEATURES



LED LIGHTING + UV DISINFECTION MODE SWITCHABLE

Disinfection lighting can be operated at the same time.

- Mode 1:**
LED Lighting + UV Disinfection
(Indicator light is on)
- Mode 2:**
LED Lighting
(Indicator light is off)
- Mode 3:**
UV Disinfection
(Indicator light is on)



NEWEST UV LED, LONGER LIFESPAN



Integrated 8 long-life UV LED chips on 2 sides. 10,000 hours of UV maintenance rate ≥70 hours. Environmentally-friendly and mercury-free.

UVGI - UPPER ROOM ULTRAVIOLET GERMICIDAL IRRADIATION (UVGI)¹

Ultraviolet germicidal irradiation, or UVGI, is the use of ultraviolet (UV) energy to kill viral, bacterial, and fungal organisms. UVGI fixtures produce UV-C energy, which has shorter wavelengths than more penetrating UV-A and UV-B rays and pose less risk to human health. Upper-room UVGI refers to a disinfection zone of UV energy that is located above people in the rooms they occupy. This kills airborne pathogens in the room where they are released. Fixtures are installed to prevent direct UV exposures to people in the room.

HOW DOES IT WORK?¹

1. Air passes through the disinfection zone from air flow through HVAC system, fans, and/or open windows.
2. The airborne pathogens are killed once they receive an appropriate amount of UV energy. The particles remain in the air, but they are no longer infectious.

Note: For airborne viral particles, upper-room UVGI systems provide air changes per hour that are similar to the introduction of clean air into the space.

¹ <https://www.cdc.gov/coronavirus/2019-ncov/community/ventilation/uvgi.html>

ORDERING GUIDE

Example: **UVC-RL631-850L-MVOLT-30K/40K/50K-WH**

