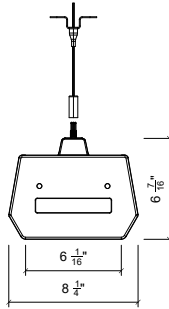
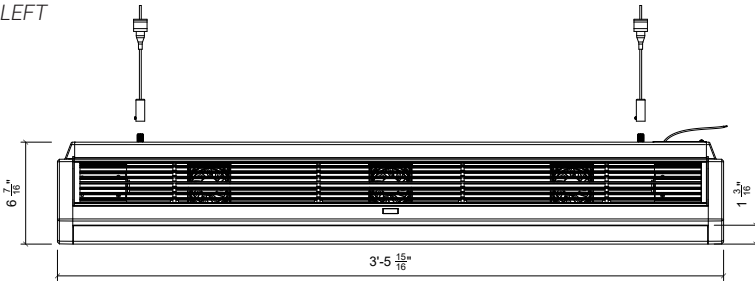




FRONT



LEFT



UVGI - UPPER ROOM ULTRAVIOLET GERMICIDAL IRRADIATION (UVGI)¹

Ultraviolet germicidal irradiation, or UVGI, is the use of ultraviolet (UV) energy to kill viral, bacterial, and fungal organisms. UVGI fixtures produce UV-C energy, which has shorter wavelengths than more penetrating UV-A and UV-B rays and pose less risk to human health. Upper-room UVGI refers to a disinfection zone of UV energy that is located above people in the rooms they occupy. This kills airborne pathogens in the room where they are released. Fixtures are installed to prevent direct UV exposures to people in the room.

HOW DOES IT WORK?¹

1. Air passes through the disinfection zone from air flow through HVAC system, fans, and/or open windows.
2. The airborne pathogens are killed once they receive an appropriate amount of UV energy. The particles remain in the air, but they are no longer infectious.

Note: For airborne viral particles, upper-room UVGI systems provide air changes per hour that are similar to the introduction of clean air into the space.

¹ <https://www.cdc.gov/coronavirus/2019-ncov/community/ventilation/uvgi.html>

OVERVIEW

The UVC light source is in a light-enclosed compartment. Irradiate the accelerated airflow to eliminate the viruses and bacteria. Therefore, This allows for the disinfection of the air in an enclosed space while ensuring that day-to-day business activities can continue underneath that area while the device is active.

SPECIFICATIONS

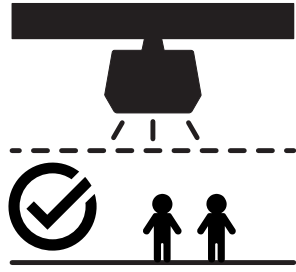
TOTAL POWER	125
LED POWER	60W
VOLTAGE	100-277V
LUMEN	5500
CCT	30K/40K/50K
CRI	80+
FANS NOISE	27 (Level 1), 32 (Level 2), 46 (Level 3)
WORKING TEMP. (°C)	5~40°C
IP GRADE	IP20

UVC SPECIFICATIONS

UVC POWER	60W
WAVELENGTH	254 nm
IRRIDIATION INTENSITY	100
TUBE TYPE	G5/T5

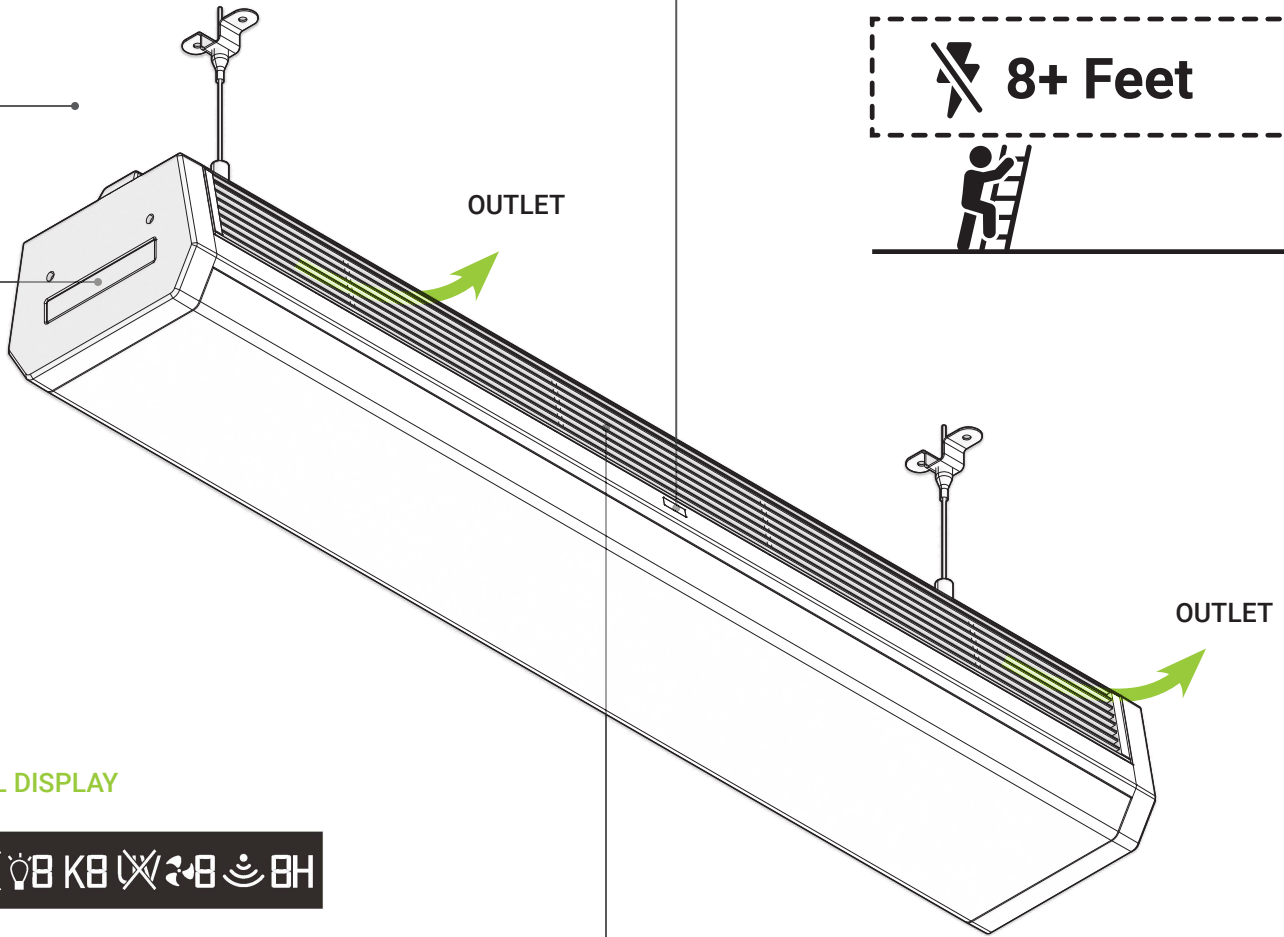
UPPER ROOM PURIFICATION

The upper room air purification system operates while commercial activities continue below. Environmentally-friendly: No ozone emission during or after use



PIR SENSOR

When someone climbs up higher than the safety level – 7½ feet – the sensor will automatically detect and turn off the UVC lamp to avoid any possible injury from irradiance



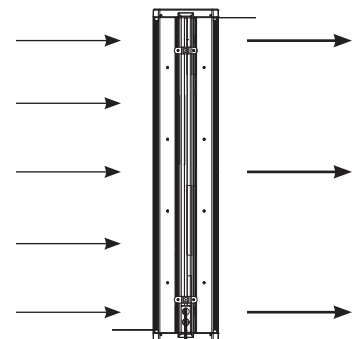
DIGITAL DISPLAY



- Power
- Clean Grille
- LED Brightness
- LED CCT
- UVC Lifespan
- Fan Speed
- PIR Indicator
- UVC Timer

AIR FLOW SYSTEM

Built-in fan increases airflow which improves air purification efficiency



FEATURES

ORDERING GUIDE

Example: **UVC-4-ORW-LED-5000L-MVOLT-30K/40K/50K-85**

UVC-4-ORW-LED				
SERIES	LUMENS	VOLTAGE	CCT	CRI
UVC-4-ORW-LED UVC Hybrid Direct LED Linear with Multi-Lumen and Multi-CCT	5000L 5000 lumens	MVOLT 120V-277V	30K/40K/50K CCT Selectable	85