



**APPLICATION:**

Recessed mount brick, step and wall light.

**BODY:**

Fiberglass. Supplied standard with three 3/4" NPS holes located on top, side & back.

**GASKET:**

Single-piece molded silicon for wet location

**LENS:**

Clear, heat-resistant, tempered glass

**FINISH:**

White, Black, Bronze (Custom color, please consult factory)

**REFLECTOR:**

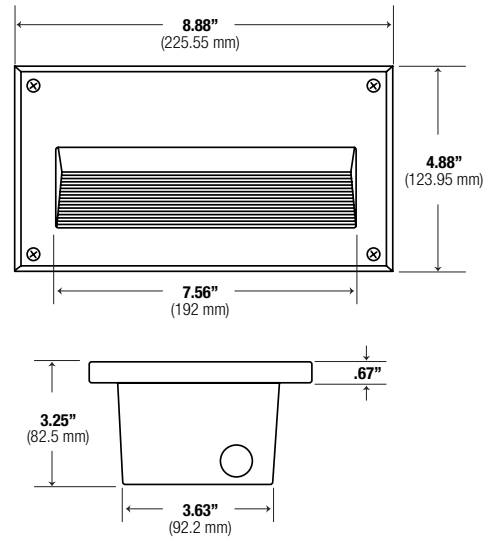
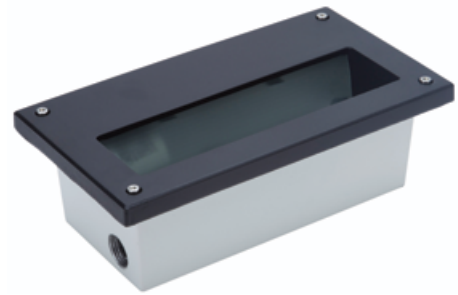
High-performance aluminum reflector assembly for superb light output.

**INSTALLATION:**

Two 1/2" NPS wiring holes  
Feed through listed

**BALLAST:**

Thermally protected, current controlled ballast, will produce full light output, increase lamp life with no noise or flicker



**RESIST CORROSION-OCEAN FRONT PLACEMENT**

Ordering Guide > Example: ST9BX-40W-T10-120-WH

<b>ST9BX</b>		
<b>SERIES</b> ST9BX	<b>LAMP/WATTAGE</b> <b>INCANDESCENT</b> 40W-T10-120 - 40W T10 Incandescent (120V)	<b>FINISH</b> WH - White BK - Black BZ - Bronze
	<b>CFL</b> 5W-120 - 5W CFL 2 PINS(120V) 7W-120 - 7W CFL 2 PINS (120V) 9W-120 - 9W CFL 2 PINS (120V) 13W-120 - 13W CFL 2 PINS (120V)	