



**APPLICATION:**

For concrete use only

**BODY:**

High-grade die-cast aluminum with 0.3% copper to prevent corrosion in concrete applications. Supplied standard with three 3/4" NPS holes located on top, side & back.

**FACE PLATE:**

High-grade die-cast aluminum

**GASKET:**

Single-piece molded silicon for wet location

**LENS:**

Frosted tempered glass

**FINISH:**

White, Satin Aluminum, and Bronze thermoset powder coat

**EXTERNAL LOUVER:**

Anodized 45° cut-off louver

**REFLECTOR:**

High-performance aluminum reflector assembly for superb light output.

**INSTALLATION:**

Two 1/2" NPS wiring holes  
Feed through listed

**BALLAST:**

Thermally protected, current controlled ballast, will produce full light output, increase lamp life with no noise or flicker

**LISTING:**

UL/C-UL for wet location



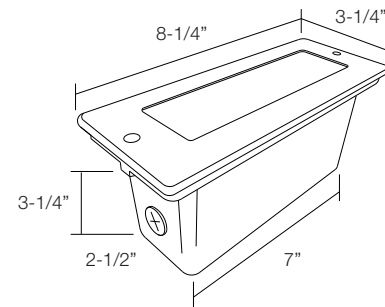
**ST701**



**ST702**



**ST703**



**HOUSING AND FACE PLATE MUST BE ORDERED SEPARATELY.**

Ordering Guide > Example: ST7BX-2X15-120-ST701-WH

**ST7BX-2X15-120**

**HOUSING TYPE/WATTAGE**

**INCANDESCENT**

- ST7BX-2X15-120V - 30W T7 DC BAYONET
- ST7BX-2X25-120V - 50W T8 DC BAYONET
- ST7BX-2X18-12V\* - 36W T6 DC BAYONET

**CFL**

- ST7BX-7-120V - 7W CFL 2 PINS
- ST7BX-9-120V - 9W CFL 2 PINS
- ST7BX-13-120V - 13W CFL 2 PINS

**FACE PLATE**

- ST701
- ST702
- ST703

**FINISH**

- WH - White
- BK - Black
- BZ - Bronze
- SN - Satin Nickel
- AL - Satin Aluminum

**\*MUST BE USED WITH REMOTE TRANSFORMER**