



<b>LIGHT SOURCE</b>	LED, E26 Socket (1xA19 not included), No Light Source (NLS)	<b>EMERGENCY</b> <small>(REMOTE / LED ONLY)</small>	10W - Up to 1000L Output (Bodine BSL310) 20W - Up to 2000L Output (Bodine BSL20)
<b>LUMENS</b> <small>(LED ONLY)</small>	1700, 2500, 3000, 3500, 4000, 4500, 5000	<b>OPTICS</b> <small>(LED ONLY)</small>	NSPD (15°), SPD (24°), MD (36°), MWD (50°)
<b>CCT</b> <small>(LED ONLY)</small>	2700K, 3000K, 3500K, 4000K	<b>FRAME FINISH</b>	WH (White), BK (Black), RD (Red)
<b>CRI</b> <small>(LED ONLY)</small>	90+	<b>CORD / CANOPY COLOR</b>	WH (White), BK (Black)
<b>COLOR QUALITY</b> <small>(LED ONLY)</small>	2 Step MacAdam Ellipse	<b>STITCH COLOR</b>	BK (Black), WH (White)
<b>DIMMING &amp; CONTROLS</b> <small>(LED ONLY)</small>	0-10V Flicker Free 1% Dimming Standard (DIM10), Triac Dimming (DIMTR)	<b>FELT COLORS</b>	Refer to SoftSense Material Color Chart (p2)

“Shade” are acoustic pendant or suspended fixtures that can be ordered with an LED light source or an E26 socket to fit an A19 bulb. These aesthetically pleasing lampshades allow you to adjust the reverberation rate and brightness of your space. Hang them around open-concept areas to minimize distractions, increase focus, and bring a peace for everyone.

“Stitch” adds a cozy touch to your space with a graceful stitch detail. Made from a fuzzier and softer felt material than our other products, they are still available in a variety of colors.



Example: **SHADE-SOFT-STITCH-S-1750L-DIM10-MVOLT-SPD-35K-90-RD-BK-BK-F-GRN**

SHADE-SOFT															
<b>SERIES</b> SHADE-SOFT SoftSense Suspended Lampshade	<b>STYLE</b> STITCH - Stitch	<b>SIZE</b> S - Small M - Medium	<b>LUMENS</b> 1750L - 1750 Lumens 2500L - 2500 Lumens 3000L - 3000 Lumens 3500L - 3500 Lumens 4000L - 4000 Lumens 4500L - 4500 Lumens 5000L - 5000 Lumens E26 <sup>2</sup> - E26 Socket for Bulb NLS <sup>2</sup> - no light source	<b>DRIVER</b> DIM10 - 0-10V Dimming DIMTR <sup>3</sup> - Triac Dimming	<b>VOLTAGE</b> MVOLT - 120-277Vac 120 - 120 Volt	<b>OPTICS</b> NSPD - 15 degrees SPD - 24 degrees MD - 36 degrees MWD - 50 degrees	<b>CCT</b> 27K - 2700K 30K - 3000K 35K - 3500K 40K - 4000K	<b>CRI</b> 90	<b>EMERGENCY*</b> 0-EMG-LED-10W 0-EMG-LED-20W	<b>FRAME FINISH<sup>1</sup></b> WH - White BK - Black RD - Red	<b>CANOPY<sup>1</sup></b> WH - White BK - Black	<b>CORD<sup>1</sup></b> WH - White BK - Black	<b>STITCH COLOR</b> WH - White BK - Black	<b>FELT COLOR</b> reference SoftSense material color chart example: F-GRN - Green	

- <sup>1</sup> Consult factory for custom color
  - <sup>2</sup> please skip to frame finish
  - <sup>3</sup> DIMTR available in 120V only
- \* remote mount only

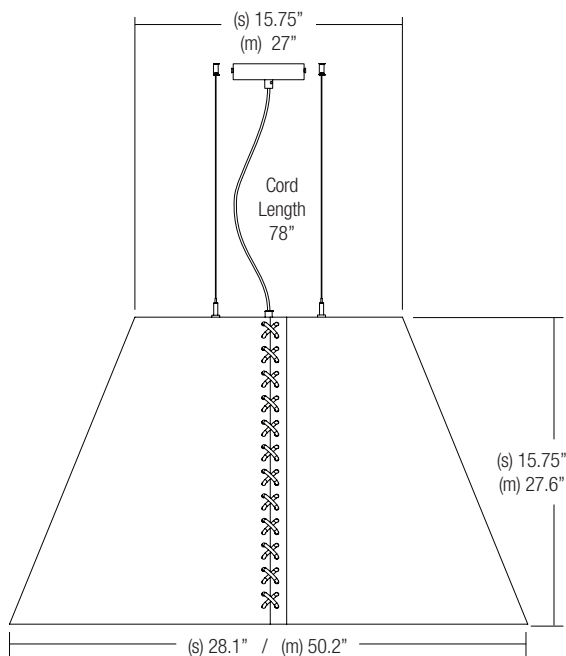


## SOFTSENSE FELT MATERIAL COLOR CHART\*

ASTM E84-16 Fire Rated



### DIMENSIONS



### ACOUSTIC MATERIAL

Made from 100% polyethylene terephthalate (PET), with 50% post-consumer recycled material. PET is a moisture resistant green product with no added chemicals, binders, adhesives or dyes. Although it uses the same ingredients as our acoustic panels, the felt for this product is much softer and more bendable. Felt material thickness is 6 mm / 0.24".

### WELL FOR SOUND

This luminaire is recommended for use as an acoustical absorption surface to limit reverberation times (RT) in a given space. This luminaire contributes to noise reduction and vibration dampening to promote focus and concentration. Reverberation needs to be calculated in each space based on the materials used.

### PRODUCT SPECIFICS (exact size in mm)

Small - top: 15.75" (400), bottom: 28.1" (715), height: 15.75" (400)  
Medium - top: 27" (686), bottom: 50.2" (1276), height: 27.6" (700)

### MAINTENANCE / CARE

Acoustic material can be cleaned with a clean, soft, lint-free cloth or a vacuum.

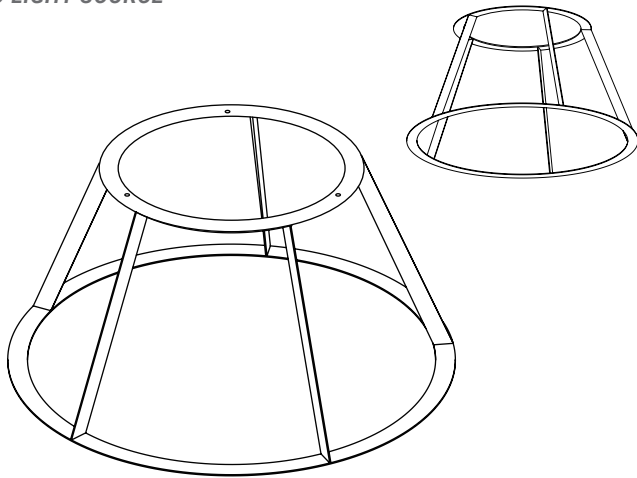
### WARRANTY

Limited 5-year Warranty. (Labor not included.) Please consult factory.

### LISTINGS

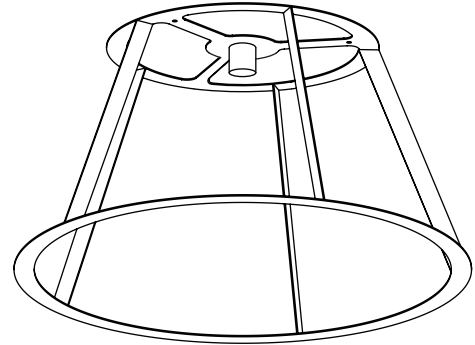
UL Listed for Dry / Damp location  
ASTM E-84 Fire Rated  
SCS Recycled Content Certified

**NO LIGHT SOURCE**

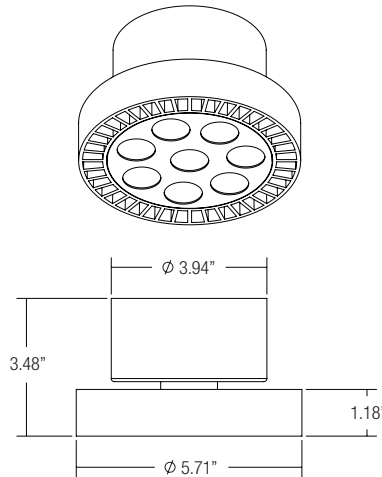
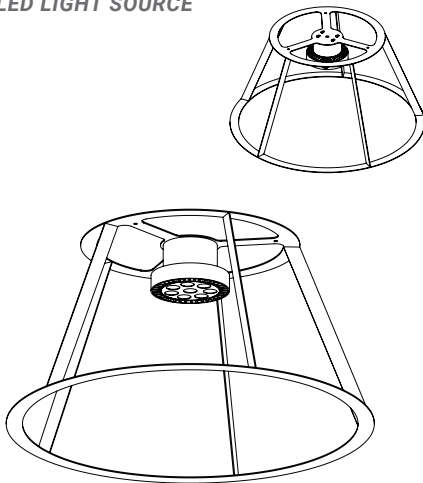


**RETROFIT LIGHTING** - fits any standard E26 Bulb. (Bulb not included.)

- 1 x A19/Medium (E26)/100W/120V Incandescent
- 1 x A19/Medium (E26)/120V LED



**LED LIGHT SOURCE**



LUMENS	WATTS
5000	38
4500	34
4000	30
3500	26.5
3000	22.5
2500	19
1750	13.5

Based on 3000K, 90+ CRI.  
Actual wattage may vary +/- 5%