



LIGHT SOURCE	LED, E26 Socket (1xA19 not included), No Light Source (NLS)	EMERGENCY <small>(REMOTE / LED ONLY)</small>	10W - Up to 1000L Output (Bodine BSL310) 20W - Up to 2000L Output (Bodine BSL20)
LUMENS <small>(LED ONLY)</small>	1700, 2500, 3000, 3500, 4000, 4500, 5000	OPTICS <small>(LED ONLY)</small>	NSPD (15°), SPD (24°), MD (36°), MWD (50°)
CCT <small>(LED ONLY)</small>	2700K, 3000K, 3500K, 4000K	COLOR QUALITY <small>(LED ONLY)</small>	2 Step MacAdam Ellipse
CRI <small>(LED ONLY)</small>	90+	CORD / CANOPY COLOR	WH (White), BK (Black)
DIMMING & CONTROLS <small>(LED ONLY)</small>	0-10V Flicker Free 1% Dimming Standard (DIM10), Triac Dimming (DIMTR)	MATERIAL COLORS	Refer to SoftSense T-Material Color Chart (p4)

“Shade” are acoustic pendant or suspended fixtures that can be ordered with an LED light source or an E26 socket to fit an A19 bulb. These aesthetically pleasing lampshades allow you to adjust the reverberation rate and brightness of your space. Hang them around open-concept areas to minimize distractions, increase focus, and bring a peace for everyone.

Button - Inspired by the charming simplicity of a button and buttoni pasta, this elegantly domed lampshade adds a playful yet sophisticated touch to any space. Its smooth, round exterior contrasts beautifully with the ridged, concave interior, casting warm, textured light that elevates both modern and classic interiors.

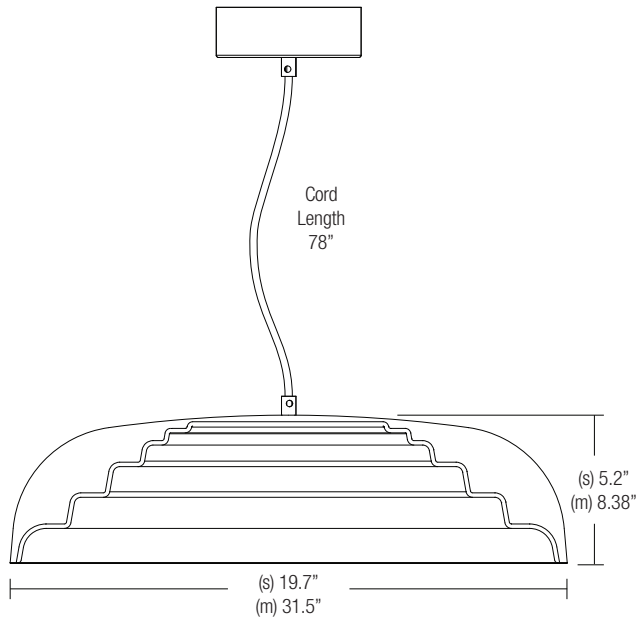


Example: **SHADE-SOFT-BUTTON-S-1750L-DIM10-MVOLT-MD-35K-90-BK-BK-T-GRN**

SHADE-SOFT													
SERIES	STYLE	SIZE	LUMENS	DRIVER	VOLTAGE	OPTICS	CCT	CRI	EMERGENCY*	CANOPY ¹	CORD ¹	COLOR	OPTIONS
SHADE-SOFT SoftSense Suspended Lampshade	BUTTON - Button	S - Small M - Medium	1750L - 1750 Lumens 2500L - 2500 Lumens 3000L - 3000 Lumens 3500L - 3500 Lumens 4000L - 4000 Lumens 4500L - 4500 Lumens 5000L - 5000 Lumens E26 ² - E26 Socket for Bulb NLS ³ - no light source	DIM10 - 0-10V Dimming DIMTR ³ - Triac Dimming	MVOLT - 120-277Vac 120 - 120 Volt	NSPD - 15 degrees SPD - 24 degrees MD - 36 degrees MWD - 50 degrees	27K - 2700K 30K - 3000K 35K - 3500K 40K - 4000K	90	0-EMG-LED-10W 0-EMG-LED-20W	WH - White BK - Black	WH - White BK - Black	reference SoftSense (thermoformed) t-material color chart example: T-GRN - Green	BAA - Buy America Act

¹ Consult factory for custom color
² please skip to frame finish
³ DIMTR available in 120V only
* remote mount only

DIMENSIONS



ACOUSTIC MATERIAL

Made from 100% polyethylene terephthalate (PET), with 50% post-consumer recycled material. PET is a moisture resistant green product with no added chemicals, binders, adhesives or dyes. While made from the same materials as our acoustic panels, this product features a thinner acoustic that has been thermoformed into shape, resulting in a firmer, more rigid texture.

WELL FOR SOUND

This luminaire is recommended for use as an acoustical absorption surface to limit reverberation times (RT) in a given space. This luminaire contributes to noise reduction and vibration dampening to promote focus and concentration. Reverberation needs to be calculated in each space based on the materials used.

PRODUCT SPECIFICS (exact size in mm)

Small - diameter: 19.7" (500), height: 5.2" (133)
Medium - diameter: 31.5" (800), height: 8.38" (212.8)

MAINTENANCE / CARE

Acoustic material can be cleaned with a clean, soft, lint-free cloth or a vacuum.

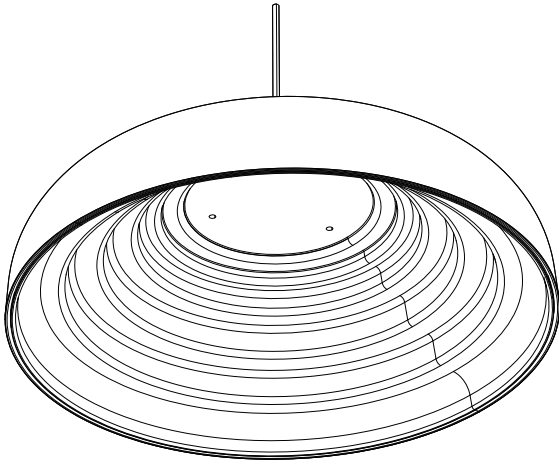
WARRANTY

Limited 5-year Warranty. (Labor not included.) Please consult factory.

LISTINGS

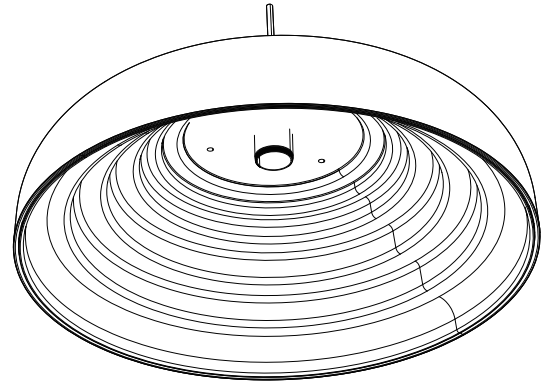
UL Listed for Dry / Damp location
ASTM E-84 Fire Rated (acoustic only)
SCS Recycled Content Certified (acoustic only)
BAA - Buy American Act Compliant government procurement requirements under FAR, DFARS and DOT regulations.

NO LIGHT SOURCE

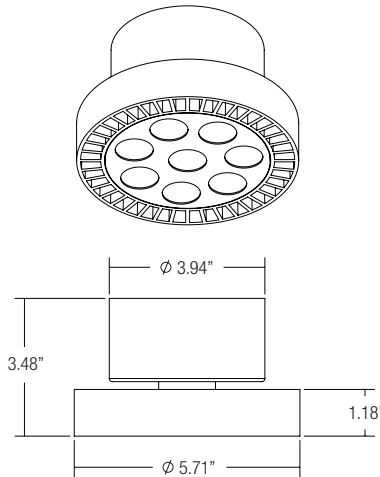
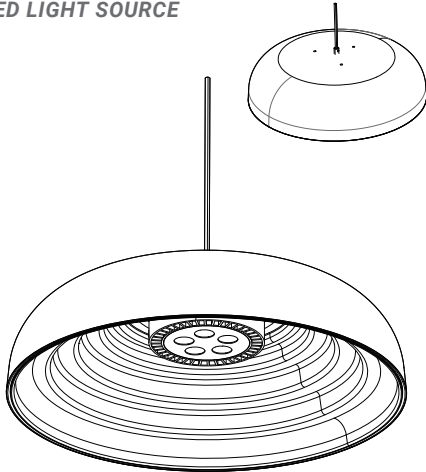


RETROFIT LIGHTING - fits any standard E26 Bulb. (Bulb not included.)

- 1 x A19/Medium (E26)/100W/120V Incandescent
- 1 x A19/Medium (E26)/120V LED



LED LIGHT SOURCE



LUMENS	WATTS
5000	38
4500	34
4000	30
3500	26.5
3000	22.5
2500	19
1750	13.5

Based on 3000K, 90+ CRI.
Actual wattage may vary +/- 5%

SOFTSENSE T-MATERIAL COLOR CHART

Thermoformed Panel Thickness: 6 mm / 0.35" (+/- 0.25 mm)

All panels ASTM E84-16 Fire Rated

COBBLESTONE T-CBS	MATCHA T-MCH	PALE T-PAL	SALMON T-SMN
GRAYSTONE T-GRS	GREEN T-GRN	EGGNOGG T-NOG	MAGENTA T-MAG
SHADOW T-SHD	RACING GREEN T-BRG	DIJON T-DIJ	PASSION T-PAS
ABYSS T-ABS	ARMY T-ARM	COPPER T-CPR	TERRACOTTA T-TCT
IRON T-IRO	BASIL T-BSL	LATTE T-LTE	RUST T-RST
NIGHT T-NIT	TEAL T-TEL	MOCHA T-MOC	
INDIGO T-IND	CYAN T-CYA	PECAN T-PEC	
AZURE T-AZU	BABY BLUE T-BBB	MERLOT T-MER	

**Declare.
Label Pending**

colors with the same name from this rigid felt material will not be a perfect match to our standard panel colors
***all colors are ASTM E84-16 fire rated**