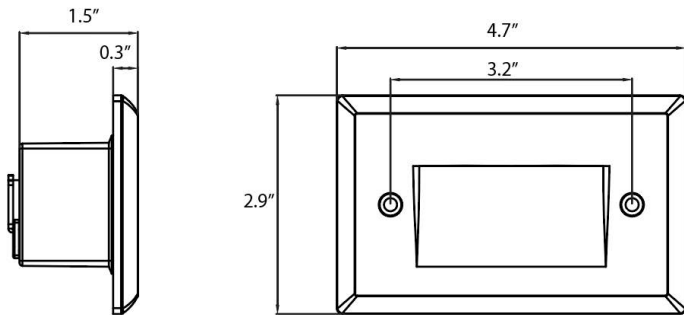




**EASY 3 COLORS**  
**SELECCTOR**



**FEATURES**

This horizontal step light features a modern, contemporary design with a hidden polycarbonate lens and visor for optimal light fall. A 150 lumen output and warm to cool white CCT options make it perfect for understated but dimensional safety and step lighting purposes, both indoors and outdoors.

Ideal for staircases, hallways, corridors, home theaters, kitchens, and pantries, as well as walkways, decks/patios, driveways, garages, and landscaping applications.

Triac dimmable and wet location suitable.

Lumen	150L
CCT	30K/40K/50K
CRI	90+ Standard
Color Quality	3-Step MacAdam Ellipse
Dimming	DIMTR - Triac Dimming
Working Temp.	40°(104°F) to -20°C (-4°F)
Mounting	Recessed Mount
Size	4.72" x 2.95"
Finish	WH(White), BK(Black), BZ(Bronze)
Lifetime	L70 at 50,000 hours
Photometric Test	In accordance with IES LM79-08, TM-21

NOMINAL LUMEN	DELIVERED LUMEN	WATTAGE
150	150	2.5W

Based on 4000K, 85+ CRI. Actual wattage may vary 5%

### OPTICS

A concealed polycarbonate frosted lens and a visor allow for a modern and glare-free look and optimal beam redirection.

### PERFORMANCE

Features bright, high-lifespan, and efficient SMD 2835 LEDs. A 150 lumen output creates a subtle but dimensional illumination for safety and step lighting purposes, while a CRI of 90 ensures vibrant, true-to-life color rendering.

Multi-CCT options of 30K, 40K, and 50K make for illumination with a color temperature of warm to cool white.

### CONSTRUCTION

Features a compact and lightweight aluminum alloy body with a powder coat finish for durability, and integrated LEDs for a minimalist, contemporary style.

Body available in finishes of Black, Bronze, and White.

Convenient Multi-CCT slider built into the back allows for choice of 30K/40K/50K CCT during installation.

Tested and approved for wet location use; suitable for outdoor and indoor applications.

### MAINTENANCE

Can be dusted and wiped with a damp soil-free cloth. Able to withstand low pressure washing.

### MOUNTING & INSTALLATION

Suitable for recessed mounting on walls, steps, and staircase surfaces.

Wall mounting height will vary according to application, as typically indoor step lights may be installed 12 to 18 inches from a step, and outdoor placement may be 18 to 24 inches from a step. Final mounting height determined by application and discretion of light designer.

Two screws, 2 wire nuts, and 3 hole plugs included for installation purposes.

### DRIVER & ELECTRICAL INFORMATION

120-277V integrated driver rated for 50 to 60Hz at 120V input, produces less than 20% THD, has a power factor between 90% and 100%, and is thermally protected for additional safety.

Standard 2"x4" J-box necessary. J-box sold separately.

### DIMMING

DIMTR - Triac & Electronic low voltage dimming. Available in 120V.

### WARRANTY

2-year warranty for parts and components (labor not included).

### LISTING

UL Listing

TEL listing

Meets UL Wet Location requirements.

ADA Compliant.

SAMPLE ITEM: SE115-LED-MVOLT-30K/40K/50K-BZ

SERIES	VOLTAGE	CCT	FINISH
SE115-LED	MVOLT	30K/40K/50K	BK- Black BZ - Bronze WH- White