



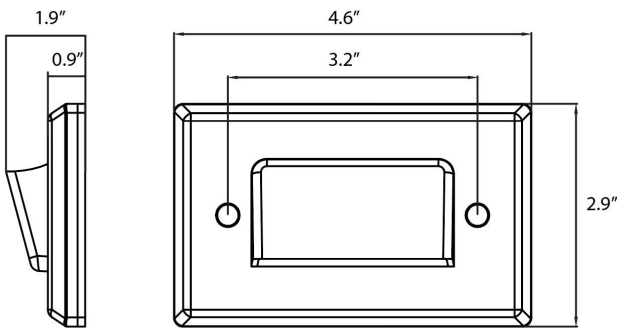
FEATURES

This low voltage 12 V step light features a modern, contemporary design with a hidden polycarbonate lens for optimal light fall. A 150 lumen output and warm CCT makes it perfect for understated but dimensional safety and step lighting purposes, both indoors and outdoors.

Ideal for staircases, hallways, corridors, home theaters, kitchens, and pantries, as well as walkways, decks/patios, driveways, garages, and landscaping applications.

Non dimmable and wet location suitable.

Lumen	150L
CCT	30K
CRI	90+ Standard
Color Quality	3-Step MacAdam Ellipse
Dimming	Non-Dimming, Convertable (see Dimming Options)
Working Temp.	40°(104°F) to -20°C (-4°F)
Mounting	Surface Mount
Size	4.72" x 2.95
Finish	WH(White), BK(Black), BZ(Bronze)
Lifetime	L70 at 50,000 hours
Photometric Test	In accordance with IES LM79-08, TM-21



NOMINAL LUMEN	DELIVERED LUMEN	WATTAGE
150	150	3W

Based on 4000K, 85+ CRI. Actual wattage may vary 5%



OPTICS

A concealed polycarbonate frosted lens and a visor allow for a modern and glare-free look and optimal beam redirection.

PERFORMANCE

Features bright, high-lifespan, and efficient SMD 2835 LEDs. A 150 lumen output creates a subtle but dimensional illumination for safety and step lighting purposes, while a CRI of 90 ensures vibrant, true-to-life color rendering.

A warm CCT of 30K makes for illumination with a warm and sophisticated color temperature.

CONSTRUCTION

Features a compact and lightweight aluminum alloy body with a powder coat finish for durability, and integrated LEDs for a minimalist, contemporary style.

Body available in finishes of Black, Bronze, and White.

Tested and approved for wet location use; suitable for outdoor and indoor applications.

MAINTENANCE

Can be dusted and wiped with a damp soil-free cloth. Able to withstand low pressure washing.

MOUNTING & INSTALLATION

Suitable for surface mounting on walls, steps, and staircase surfaces.

Wall mounting height will vary according to application, as typically indoor step lights may be installed 12 to 18 inches from a step, and outdoor placement may be 18 to 24 inches from a step. Final mounting height determined by application and discretion of light designer.

Two screws, 2 wire nuts, and 3 hole plugs included for installation purposes.

DRIVER & ELECTRICAL INFORMATION

Available in 12V DC and convertible to 120VAC.

No integrated driver or j-box included. Compatible with any DC12V driver. Compatible drivers sold separately

NON-DIMMABLE COMPACT LED DC 120V ELECTRONIC

LB100-DR-12V-30W

LB100-DR-12V-60W

LB100-DR-12V-100W

DIMMABLE COMPACT LED DC 120V MAGNETIC

LB100-DC-12-40-120

LB100-DC-12-60-120

LB100-DC-12-100-120

NON-DIMMABLE COMPACT LED DC 277V MAGNETIC

LB100-DC-12-40-277

LB100-DC-12-60-277

LB100-DC-12-100-27

120-277V drivers rated for 50 to 60Hz at 120V input, produce less than 20% THD, have a power factor between 90% and 100%, and are thermally protected for additional safety.

DIMMING

This step light is a low voltage, 12V product, and not compatible with TRIAC or other dimming options without conversion.

Dimming options include:

Non-dimming

Conversion compatible:

[Phase dimming

DIM10 - 0-10V dimming on either MVOLT 120, 277 or 347V. Dimmable down to 1% of initial lumens, standard.

DIMTR - Triac & Electronic low voltage dimming. Available in 120V.

WARRANTY

2-year warranty for parts and components (labor not included).

LISTING

UL Listing

TEL listing

Meets UL Wet Location requirements.

ADA Compliant.

SAMPLE ITEM: SE114-LED-12V-30K-BK

SERIES	VOLTAGE	CCT	FINISH
SE114-LED	12V	30K	BK- Black BZ - Bronze WH- White