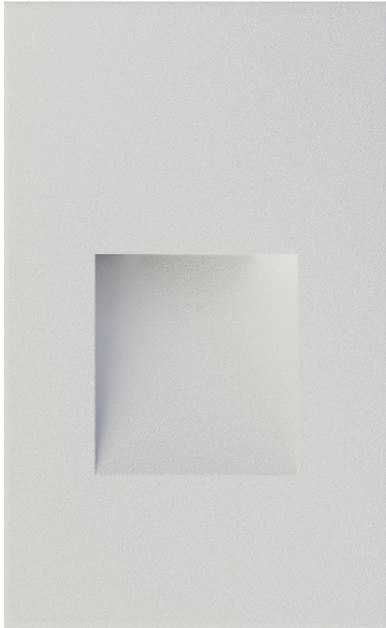


SE112-LED

Sleek Profile LED Step Light

3W / 40 lumens

Catalog Number:	
Project Name:	
Note:	Type:



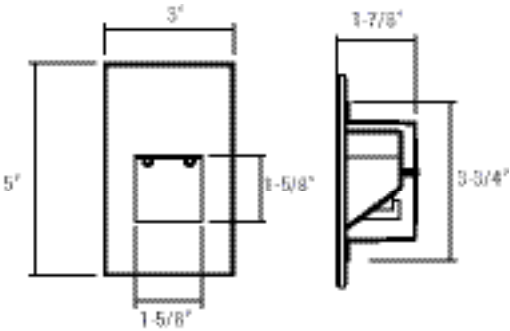
Features an architectural design, creates an attractive, romantic impression at night. Ideal for stairways, patios, decks, balcony areas, walkways, building perimeters, etc.

Vertical rectangle LED step light

- Made of durable die-cast aluminum with frosted diffuser
- Direct wiring, no driver needed
- Low profile, flush to wall aesthetics with no visible hardware
- Balanced lighting, free of shadows with minimum glare
- Up to 200 fixtures can be connected in parallel
- Replaceable LED module
- 100%-10% dimming capability, this fixture is compatible with industry standard TRIAC/ELV dimmers
- Fits into 2"x4" J-Box with minimum inside dimensions of 3"Lx2"Wx2"D
- Wet location rated for indoor and outdoor installations
- Easy installation

SPECIFICATIONS:

LUMENS	40 lumens
WATTAGE	3W
CCT	3000K
CRI	90
VOLTAGE	120V
POWER FREQUENCY	50/60 Hz
LIFE SPAN	50,000 hrs
ORIENTATION	Vertical
APPLICABLE ENVIRONMENT	Dry/Damp/Wet location



Ordering Guide > Example: SE112-LED-30K-WH

SE112-LED		
SERIES	CCT	FINISH
SE112-LED - Sleek LED Step Light	30K - 3000K	WH - White BK - Black

SE112-LED

Sleek Profile LED Step Light

Catalog Number:

Project Name:

Note:

Type:

PHOTOMETRY

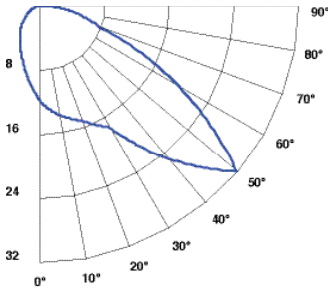
SE112-LED-30K

WATTAGE: **2.5**

LUMENS: **37**

TOTAL LUMINAIRE EFFICACY: **15**

Candle Power Distribution (Candelas)



Spacing Criteria

0-180 : **1.10**
 90-270 : **0.68**
 Diagonal : **1.40**

Zonal Lumens Summary

Zone	Lumens	%Lamp	%Fixt
0-30°	9.03	24.60	24.60
0-40°	15.10	41.10	41.10
0-60°	29.66	80.80	80.70
0-90°	36.73	100.10	100.00
0-180°	36.73	100.10	100.00

Luminance Data (cd/sq.m)

Angle In Degrees	Average 0°	Average 45°	Average 90°
45°	702	539	461
55°	633	461	380
65°	581	397	305
75°	507	324	247
85°	409	337	277

Candela Tabulation

	0	45	90
0	11.88	11.88	11.88
5	11.78	10.78	10.39
15	11.26	8.58	7.80
25	9.60	6.54	5.77
35	7.09	4.90	4.31
45	4.73	3.63	3.11
55	3.46	2.52	2.08
65	2.34	1.60	1.23
75	1.25	0.80	0.61
85	0.34	0.28	0.23
90	0.00	0.03	0.05

Coefficients of Utilization - Zonal Cavity Method

Effective Floor Cavity Reflectance 20% = PF

RC	RW	80%				70%				50%				30%				10%				0%			
		70%	50%	30%	10%	70%	50%	30%	10%	50%	30%	10%	50%	30%	10%	50%	30%	10%	0%						
0	119	119	119	119	116	116	116	116	111	111	111	111	106	106	106	102	102	102	100	100	100	100			
1	109	104	100	96	106	102	98	94	98	94	92	94	91	89	90	88	86	84	84	84	84	84			
2	99	91	84	78	96	89	82	77	85	80	75	82	77	74	79	75	72	70	70	70	70	70			
3	90	79	71	64	87	78	70	64	75	68	63	72	66	62	69	65	61	58	58	58	58	58			
4	82	70	61	54	80	69	60	54	66	59	53	64	57	52	61	56	52	49	49	49	49	49			
5	75	62	53	46	73	61	52	46	59	51	45	57	50	45	55	49	44	42	42	42	42	42			
6	69	56	47	40	67	55	46	40	53	45	39	51	44	39	50	43	39	37	37	37	37	37			
7	64	50	41	35	62	49	41	35	48	40	35	46	39	34	45	39	34	32	32	32	32	32			
8	59	46	37	31	58	45	37	31	44	36	31	42	35	30	41	35	30	28	28	28	28	28			
9	55	42	33	28	54	41	33	28	40	33	27	39	32	27	38	32	27	25	25	25	25	25			
10	52	38	30	25	51	38	30	25	37	30	25	36	29	25	35	29	24	23	23	23	23	23			

RC - Ceiling Cavity Reflectance

RW - Wall Reflectance