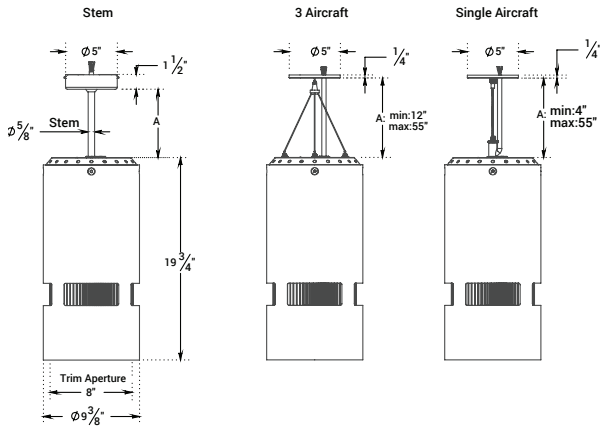


FEATURES

A highly sustainable and ultra-efficient architectural LED Cylinder that provides even, glare-free illumination. Available in a range of mountings, finishes, distributions, and lumen packages, it is ideally suited for use in corporate office space, hospitality, healthcare, commercial, academic, churches, airports and retail merchandising.

OPTICS AND REFLECTOR

The reflector has a 45° visual cutoff, and is shipped standard with a Solite lens in a smooth frosted finish. Spun from 0.05" thick aluminum, with a 1-step anodized finish, available in different colors or custom RAL finishes, and various distribution options are available.



A: 12", 24", 36", 48"
SCH8-LED-SM

SCH8-LED-PM
SM-10-3

SCH8-LED-PM
SM-10-1

Mounting: PM

NOMINAL LUMENS	DELIVERED LUMENS	WATTAGE
24000	24030	243 W
22000	22689	226 W
20000	20323	199 W
16000	16529	158 W
10000	10456	98 W
8000	8338	77 W

Based on 4000K, 90CRI with semi-specular chrome reflector.
Actual wattage may vary +/-5%

LUMENS	8000, 10000, 16000, 20000, 22000, 24000
CCT & DYNAMIC PLATFORMS	22K, 27K, 30K, 35K, 40K, 50K, Tunable White, Dims to Warm
CRI	90+ Standard, 98+ Optional
COLOR QUALITY	2 Step MacAdam Ellipse
DISTRIBUTIONS	VWD (Very Wide Distribution), WD (Wide Distribution) MD (Medium Distribution) and, ND (Narrow Distribution)
MOUNTING OPTIONS	PM (Pendant Mount), SM (Suspended Mount)
BODY COLORS	WH (White), BK (Black), BZ (Bronze), SI (Silver), Custom RAL, WAM(White Anti Macrobial)
REFLECTOR COLORS	CL (Semi-Specular Chrome), MB (Black), SHZ (Low Iridescent Satin Haze), WH (White), WT (Wheat)
DIMMING	0-10V Flicker Free 1% Dimming Standard (DIM10), LUTH, LUTFTB, ELD010.1-LIN, ELDODMX.1, ELDODALI.1, DIMTR, BLE, POE, ELD010-LOG, XSR, DIM10-AUX, DIM10-0-Off
REMOTE EMERGENCY	10W - Up to 1000L Output (Bodine BSL310) 20W - Up to 2000L Output (Bodine BSL20) GTD-UL924
LIFETIME	L70>60,000-hour reported lifetime L70>200,000-hour calculated lifetime
PHOTOMETRIC TESTS	In Accordance with IES LM79-08 and LM80 and TM-30, TM-21

* Only Available on 85+ CRI



Reference IES files for additional distribution curve information.



CONSTRUCTION

Post painted die-formed construction for maximum heat dissipation and rust protection. Matte white finish standard.

THERMAL MANAGEMENT SYSTEM

Die-cast aluminum housing and thermal management system are engineered for extremely long life. Heat sink is attached to top of housing. The LED light engine is attached to the die-cast heat sink and is easily replaceable and upgradeable.

MOUNTING OPTIONS

Ceiling mount bracket provided for direct installation with 3-1/4" to 4" octagonal and square junction box. Pendant mount option is supplied with a 5" diameter canopy cover. Suspended mount option is supplied with an aircraft adjustable cable, and is ideal for sloped ceiling applications up to 45 degrees.

DIMMING & DRIVER INFORMATION

DIM10 - 0-10V dimming on either MVOLT 120, 277 or 347V. Dimmable down to 1% of initial lumens, standard.

DIMTR - Triac & Electronic low voltage dimming. Available in 120V, and up to 6000 lumens only.

LUTH - Lutron LDE1 Hi-Lume 1% Eco System LED driver with Soft-on, Fade to Black dimming technology.

LUTFB - Lutron PEQOE Hi-Lume Premier 1% Eco System LED Driver with Soft-on, Fade to Black dimming technology. Available on all luminaires up to 1500 lumens.

ELDO10.1-LIN - EldoLED SoloDrive 0-10V. Dimming down to 0.1%. Linear dimming curve.

DALI - DALI DT6, DT8 dimming down to 1%.

ELDODMX - EldoLED PowerDrive dimming down to 0.1%.

BLE - Luminaires may be controlled, grouped, scheduled or placed in scenes and or zones Via Cassambi Bluetooth 4.0 App.

DIM10-0-OFF - Program DIM10-to OFF with linear dimming curve 0.1%

ELDO10-LOG - ELDO10-LOG with logarithmic dimming curve.

POE - Power-over-Ethernet Depending on the PoE manufacturer selected, The Node will install the node in factory as either integral to the luminaire or as a remote module.

XSR - Xitanium SR Dimming

DIM10-AUX - 0-10V with Auxiliry power

LED DYNAMIC PLATFORM OPTIONS



Tunable White with Smart White Technology utilizing the Lumenetix Platform allows you to color tune the luminaire via various controls. Create the perfect environment for the desired use of the space, while maintaining a CRI of 90+ across the tunable range of 8000 to 1650K. (Click here for more details)



Dims to Warm with Smart Dimming Technology. At 100% full brightness the luminaire is at 3000K. When dimmed to 1%, the light transitions to 1800K, creating a warm ambiance within the space. (Click here for more details)

LIGHT ENGINE

Contains a plurality of high brightness white LED's combined with high reflectance upper reflector and convex transitional lens producing even distribution with no pixilation.

Lumen output shall not decrease by more than 30% over the minimum life of 102,000 hours (L70 > 102,000 hours) Color variation within 2-step MacAdam ellipses.

Flexible disconnect allows for tool-less replacement of LED engine from below ceiling Available in 2200K, 2700K, 3000K, 3500K, 4000K and 5000K correlated color temperature (CCT)

Available in 90 or 98 color rendering index (CRI)

WARRANTY

Five-year warranty for parts and components. (Labor not included)

LISTINGS

c-UL-us - Listed for Feed Through Wiring.
Energy Star and California Title 24 compliant.

BAA- Buy American Act Compliant government procurement requirements under FAR, DFARS and DOT regulations.

Example: SCH8-HL-LED-SM-8000L-DIM10-120-MD-30K-90-WH-SCH8-8501-CL-WH

SERIES	LUMENS	DRIVER	VOLTAGE	OPTICS	CCT	CRI	EMERGENCY	BODY FINISH	TRIM TYPE	REFLECTOR/TRIM FINISH	LENS TYPE
SCH8-HL-LED	<input type="checkbox"/> 8000L	<input type="checkbox"/> DIM10	<input type="checkbox"/> 120	<input type="checkbox"/> VWD (Very Wide)	<input type="checkbox"/> 22K	<input type="checkbox"/> 90+	<input type="checkbox"/> EMG-LED-10W	<input type="checkbox"/> WH-WHITE	<input type="checkbox"/> HL8-8501	<input type="checkbox"/> CL-WH	<input type="checkbox"/> TGL-CL- TEMPERED GLASS PRISMATIC LENS
MOUNTING	<input type="checkbox"/> 10000L	<input type="checkbox"/> DIMTR ¹ ₆	<input type="checkbox"/> 277	<input type="checkbox"/> WD (Wide)	<input type="checkbox"/> 27K	<input type="checkbox"/> 98+ ⁴	<input type="checkbox"/> EMG-LED-20W	<input type="checkbox"/> BK-BLACK		<input type="checkbox"/> CL-SCH	<input type="checkbox"/> TGL-FR - TEMPERED GLASS PRISMATIC LENS
<input type="checkbox"/> PM12-12"	<input type="checkbox"/> 16000L	<input type="checkbox"/> LUTH ² ₆	<input type="checkbox"/> MVOLT	<input type="checkbox"/> MD (Medium)	<input type="checkbox"/> 30K		<input type="checkbox"/> EMG-LED-G2-10W-SDT* <input type="checkbox"/> GTD-UL924	<input type="checkbox"/> SI-SILVER		<input type="checkbox"/> SHZ-WH	<input type="checkbox"/> TGL-FR - TEMPERED GLASS FROSTED PRISMATIC LENS (75° ONLY)
<input type="checkbox"/> PM18-18"	<input type="checkbox"/> 20000L	<input type="checkbox"/> ELDO10-.1 ²	<input type="checkbox"/> 347	<input type="checkbox"/> ND (Narrow)	<input type="checkbox"/> 35K		Remote mounted installation *Consult Factory for Self Diagnostic	<input type="checkbox"/> WAM White Anti Macrobial		<input type="checkbox"/> SHZ-SHZ	
<input type="checkbox"/> PM24-24"	<input type="checkbox"/> 22000L	<input type="checkbox"/> ELDODALI-.1 ²			<input type="checkbox"/> 40K			<input type="checkbox"/> RAL Custom Color		<input type="checkbox"/> WT-WH	
<input type="checkbox"/> PM36-36"	<input type="checkbox"/> 24000L	<input type="checkbox"/> ELDODMX-.1 ²			<input type="checkbox"/> 50K ³					<input type="checkbox"/> W-WH	
<input type="checkbox"/> PM48-48"		<input type="checkbox"/> BLE								<input type="checkbox"/> MB-WH	
<input type="checkbox"/> SM-10'-1' SUSPENDED MOUNT single point cable suspension		<input type="checkbox"/> POE									
<input type="checkbox"/> SM-10'-3' SUSPENDED MOUNT 3 point cable suspension		<input type="checkbox"/> DIM10-0-OFF									
(Consult factory for other sizes)		<input type="checkbox"/> ELD010-LOG									
		<input type="checkbox"/> XSR									
		<input type="checkbox"/> DIM10-AUX									

² LUTH, ELDO10-.1, ELDODALI -.1, and ELDODMX-.1 are available in 120V and 277V

¹ DIMTR are available in 120V only(160W)

³ 50K series are available with 85+ CRI only

⁴ 98+ CRI is available in 27K, 30K and 40K only

⁶ LUTH Available for luminaires up to 22000L and DIMTR Available for luminaires up to 1 000L

INTEGRATED SENSOR AND CONTROL OPTIONS

With the integration of controls, Elite Lighting now offers its products with controls-ready performance that increases energy efficiency, smarter space planning, and the enhancement of safety and productivity in the workplace. By utilizing these controls, Elite Lighting luminaires enable your customer's facility to run smarter, with the use of an easily controlled system through any platform.

Luminaire will be shipped with Powerpacks pre-installed, ready to be integrated to designated control systems

Luminaire will be shipped with Sensors installed on the luminaire, allowing for individual luminaire control. Luminaires will be ready to be integrated with designated control systems

Luminaire will be shipped with Sensors to be remotely installed on the ceiling. Luminaires will be ready to be integrated with designated control systems

BRAND	EASYFIT by EnOcean	LUTRON	enlighted	LEVITON	PHILIPS EasySense	legrand
POWER PACK	<input type="checkbox"/> LEDRU - LED Relay Zone Controller 0-10V	<input type="checkbox"/> Lutron Vive FCJS-010 - Individual Luminaires Control, 0 to 10 V	<input type="checkbox"/> CU-E3-1R	<input type="checkbox"/> ZL027-N0W - Power control module	<input type="checkbox"/> SRB	<input type="checkbox"/> LMFC-011
	<input type="checkbox"/> LEDDU - LED Zone Controller 0-10V	<input type="checkbox"/> Lutron Vive FCJS-ECO - Individual Luminaires Control, Eco System	<input type="checkbox"/> SR Driver		<input type="checkbox"/> Philips Driver	<input type="checkbox"/> FS-PP-V2
REMOTE SENSOR			<input type="checkbox"/> SU-4E-01	<input type="checkbox"/> ZL00J-DOW - Sensor control module (Downlight Luminaires)	<input type="checkbox"/> SNS200-CMP	
			<input type="checkbox"/> SU-5E-CL			