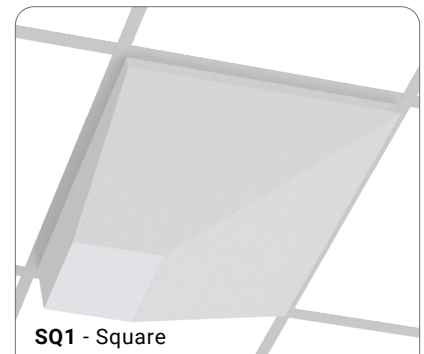
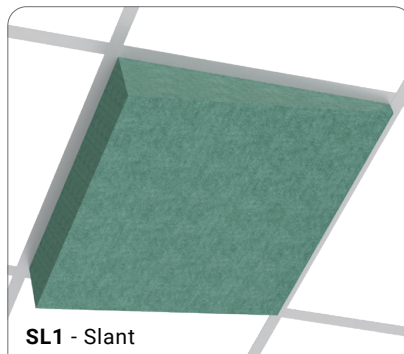
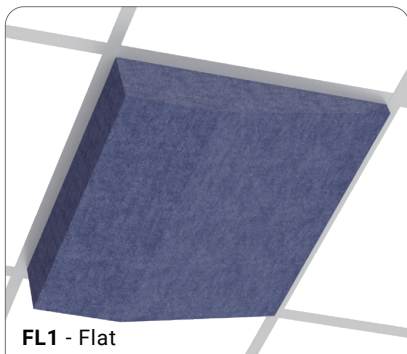
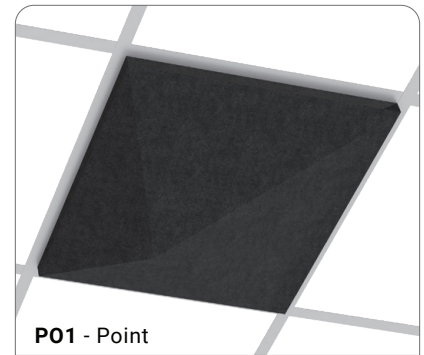
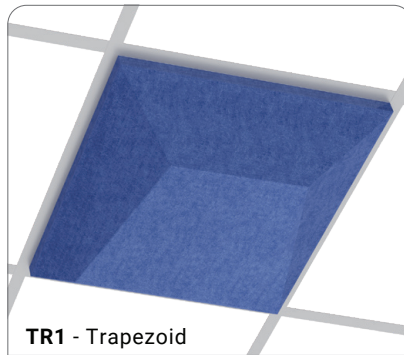
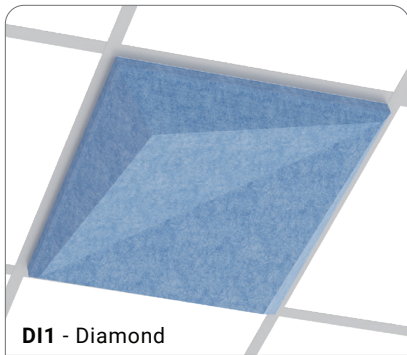


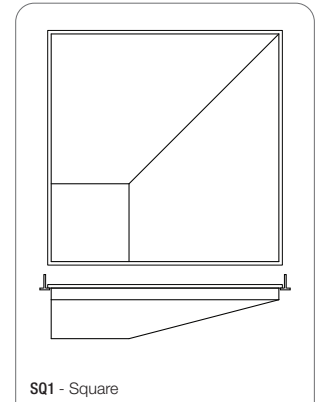
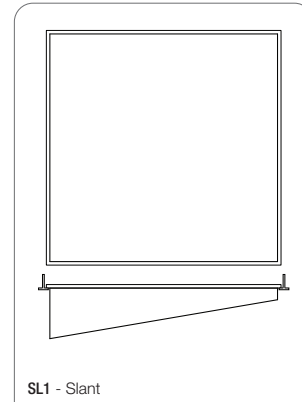
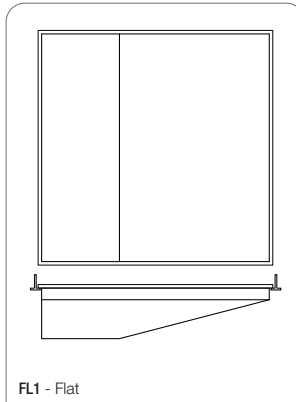
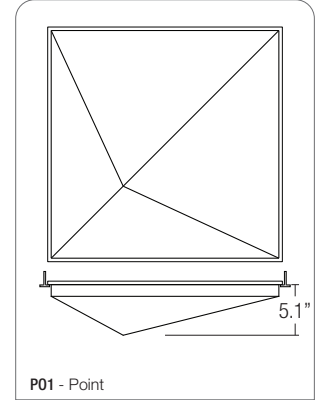
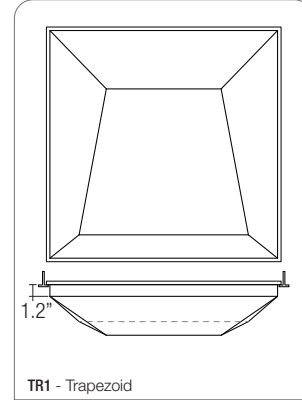
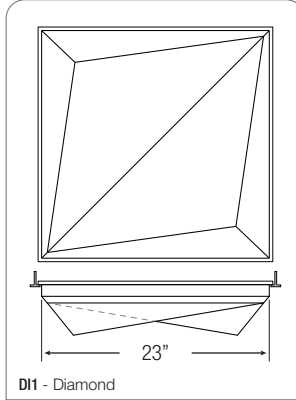
Our "Rondo" series offers a variety of acoustic ceiling tile designs. Simply pop them into your T-bar grid system to add depth and texture to your ceiling while lowering the reverberation rate of your space.

Pick one of the below styles to get more creative with your ceiling. Each design is available in all colors and patterns. Contact factory for custom sizing of tiles.



Example: **RONDO-SOFT-22-DI1-GR15-GRN**

RONDO-SOFT	22		GR15	
SERIES RONDO-SOFT Ceiling Tiles	SIZE 22 - 2'x2'	STYLE DI1 - diamond TR1 - trapezoid PO1 - point FL1 - flat SL1 - slant SQ1 - square	GRID GR15 - 15/16"	COLOR reference SoftSense material color chart (on the next page) example: GRN - Green



all have the same drop height and overall size dimensions

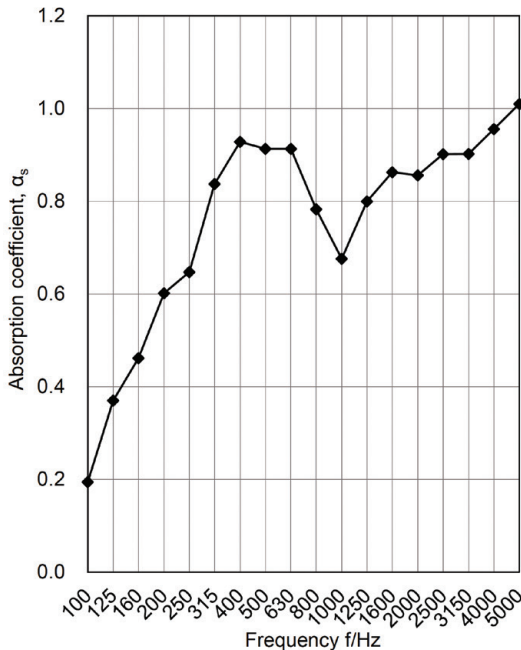
ACOUSTIC PANEL PERFORMANCE - 4' x 8' Panels

Acoustic performance of specific fixture / product will greatly vary based on mounting, installation, and configuration in a space.

Noise Reduction Coefficient (NRC) - 0.75

Weighted Sound Absorption Coefficient - $a_w = 0.85$

NRC is a widely used standard to test sound absorption for 2-dimensional objects. It is the average absorption coefficient obtained from four key 1/3 octave frequencies: 250, 500, 1000, 2000 Hz.



ACOUSTIC MATERIAL - 9mm / 0.35" Thickness

Our panels come in 4' x 8' and are made from 100% polyethylene terephthalate (PET), with 50% post-consumer recycled material. PET is a moisture resistant green product with no added chemicals, binders, adhesives or dyes.

CONSTRUCTION

Folded, not heat formed acoustic material (PET) carefully bound together by hot adhesive.

ASSEMBLY / INSTALLATION

No assembly required. Ready to be placed into your ceiling grid structure.

MAINTENANCE / CARE

Acoustic material can be cleaned with a clean, soft, lint-free cloth or a vacuum.

WARRANTY

Limited 5-year Warranty. Please consult factory.

LISTINGS

ASTM E-84 Fire Rated
SCS Recycled Content Certified

PRODUCT SPECIFICS

weight: 3 - 4 lbs per tile

SOFTSENSE MATERIAL COLOR CHART

Panel Thickness: 9 mm / 0.35" (+/- 0.5 mm)

ASTM E84-16 Fire Rated*



**Declare.
Label Pending**

Natural Print Patterns

Thickness: 8.5 mm / 0.33" (+/- 0.5 mm)



*quick ship available for any color depending on order quantity. Please consult factory.
*all colors are ASTM E84-16 fire rated, select colors are available as Class A