



ENGINEERED FOR VERSATILITY AND PERFORMANCE

The Elite RL685 has been engineered for New Construction, Remodel and Retrofit applications for 6 inch downlights. Dedicated housings install the same way as our standard incandescent downlights. Over 950 usable lumens are directed from the luminaire to the work surface. Lighting is smooth and comfortable, all while using 80% less energy than the equivalent 65W R30 and 25% less than the common 18W CFL. Plus the Elite RL685 features 50,000hrs of life, and California Title-24 compliance.

INPUT VOLT.	INPUT FREQ.	THD	POWER FACTOR	INPUT POWER	LUMENS
120	60Hz	<20%	0.97	15W (+/-5%)	950

FEATURES

Greater light output than an 18W CFL or a 65W R30 while consuming less than 15W of power. Fits in most 6 inch downlight housings.

OPTICS

The Elite-Engineered LED Module system is much more than just a simple LED retrofit. The Elite LED system is a highly engineered work of design and optical science which produces over 950 lumens! Our meticulously crafted optics gather the light scattered by the LED chip and shape it into a functional beam with uniform light distribution. The reflector also offers the benefits of a smooth integrated light with glare reduction at a 55 degree cut-off, which minimizes brightness.

DURABILITY

Die-cast aluminum housing and heat management system are engineered for extremely long life and service period. Without proper heat management, any LED luminaire will fail. Our die-cast system pulls the heat from the LED chip, allowing the continued cool operation for years. Life tests have shown the Elite RL685 light output will be maintained at 70% of initial at 50,000 hours of operation. Our LED driver is rated for 50 to 60 Hz at 120V input, produces less than 20% THD, has a power factor between 0.90 and 1.00 and is thermal protected for additional safety.

REPEATABLE

Repeatability means quality. From our chip selection process, to our driver, to the thermal management, the Elite RL685 Module is engineered for quality. All Elite LED luminaires are rated at 85+ and 90+ CRI, also rated and tested to LM-79 and LM-80 standards by a certified laboratory, and meets the California Title-24 compliance standards. Elite's highly selective LED chips produce zero ultraviolet and virtually no infrared light.

DIMMABLE

The Elite RL685 lighting system is dimmable down to 10% by using an approved incandescent dimmer or select electronic low voltage dimmers when ordered with DIMTR-120 option. Refer to dimming matrix for more information.

INTERCHANGEABLE

The Elite RL685 LED system works in our dedicated (LD6IC-AT ,LD6RIC-AT) housings and our existing 6" incandescent housings (B6IC-AT, B6-AT, B6RIC-AT, B6R-AT) but is also suitable for use in most 6" recessed downlight housings.

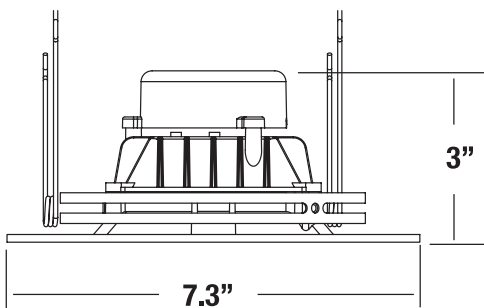
ADAPTABLE

All Elite RL685 luminaires are shipped standard with our custom engineered Edison adapter. This adapter assembly allows the luminaires to install directly into existing Elite 6" downlight housings and most other 6" downlight housings. GU24 style socket base adapters also available upon request.

OUR WORD

The Elite LED lighting system carries a five-year carefree warranty for parts and components. (Labor not included)

DIMENSION



INSTALLATION

Ez connector to use with special High efficacy housing or Edison base adapter for retrofitting into existing 6" incandescent housings.

You MUST seal all gaps between the ceiling and fixture with weatherproof silicone sealant. This deters moisture and water from damaging fixtures and other mechanical ceiling elements.



CERTIFICATIONS

- ETL Listed
- ENERGY STAR
- LM79 Report
- California Title 24

RL685

6" LED RETROFIT SQUARE TRIM DOWNLIGHT

EXAMPLE: RL685-950L-DIMTR-120-30K-90-WH

TYPE	LUMEN	CCT	CRI	FINISH
RL685	<input type="checkbox"/> 950L-DIMTR-120	<input type="checkbox"/> 27K <input type="checkbox"/> 30K <input type="checkbox"/> 40K	<input type="checkbox"/> 90+	<input type="checkbox"/> W-WH

Ordering Guide for Compatible Housing

IC - New Construction	Non-IC New Construction	IC - For Remodel	Non-IC For Remodel
LD6IC	LD6-AT	LD6RIC-AT	LD6R-AT
HLD6IC-AT	HLD6-AT	HLD6RIC-AT	HLD6R-AT
LD600IC-AT	B6-AT	EZ6IC-AT	B6R-AT
EZ6IC-AT		B6RIC-AT	
B6IC-AT			
B6IC-100-AT			
B600-IC			

LED

6"

6 INCH LED RETROFIT SQUARE MODULE

RL685-950L-DIMTR-120-30K-90-W-WH

INPUT WATTS: 14.8

LUMENS: 948

CRI: 85+

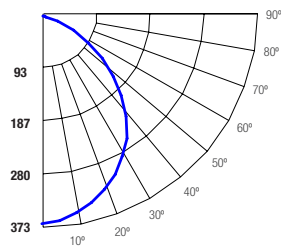
EFFICACY: 64

CCT: 3000K

TEST NO.: EL105916

SPACING CRITERIA: 1.36

Candle Power Distribution (Candelas)



Zonal Lumens Summary

Zone	Lumens	%Lamp	%Fixt
0-20	135.37	14.30	14.30
0-30	286.35	30.30	30.20
0-40	465.83	49.20	49.20
0-60	797.66	84.30	84.20
0-80	935.32	98.90	98.70
0-90	947.52	100.10	100.00

Luminance (Average candela/M²)

Angle in Degrees	Average		
	0°	45°	90°
45	17025	15980	15651
55	14395	12641	12766
65	9593	8260	7465
75	2298	1890	3197
85	861	1973	3902

Lumens Per Zone

Zone	Lumens
0-10	35.14
10-20	100.24
20-30	150.98
30-40	179.48
40-50	180.06
50-60	151.76
60-70	96.92
70-80	40.74
80-90	12.20

Candela Tabulation

Angle	Candela
0	371.98
5	368.71
15	351.82
25	321.36
35	278.53
45	219.80
55	150.75
65	74.02
75	10.86
85	1.37
90	0.39

Coefficients of Utilization - Zonal Cavity Method

Effective Floor Cavity Reflectance 0.20

RC	80%				70%				50%				30%				10%				0%			
	RW	70%	50%	30%	10%	70%	50%	30%	10%	50%	30%	10%	50%	30%	10%	50%	30%	10%	50%	30%	10%	0%		
0	0	119	119	119	119	116	116	116	116	111	111	111	107	107	107	102	102	102	100	100	100	100		
1	1	110	105	101	98	107	103	100	96	99	96	93	95	93	90	91	90	88	86	86	86	86		
2	2	100	93	86	81	98	91	85	80	87	82	78	84	80	76	81	78	75	73	73	73	73		
3	3	92	82	74	68	90	80	73	67	77	71	66	75	70	65	72	68	64	62	62	62	62		
4	4	84	73	65	58	82	72	64	58	69	62	57	67	61	56	65	60	55	53	53	53	53		
5	5	78	65	57	50	76	64	56	50	62	55	50	60	54	49	58	53	49	46	46	46	46		
6	6	72	59	50	44	70	58	50	44	56	49	44	55	48	43	53	47	43	41	41	41	41		
7	7	67	54	45	39	65	53	45	39	51	44	39	50	43	38	49	43	38	36	36	36	36		
8	8	62	49	41	35	61	48	40	35	47	40	35	46	39	34	45	39	34	32	32	32	32		
9	9	58	45	37	32	57	44	37	31	43	36	31	42	36	31	41	35	31	29	29	29	29		
10	10	55	42	34	29	53	41	34	29	40	33	28	39	33	28	38	32	28	26	26	26	26		

Cone of Light		
4.0	23.2 fc	10.4 ft
8.0	5.81 fc	20.8 ft
12.0	2.58 fc	31.2 ft
16.0	1.45 fc	41.6 ft
20.0	0.93 fc	52 ft
24.0	0.65 fc	62.5 ft
Distance to Plane	Initial Footcandle at Nadir	Beam diameter

BEAM DIA. MEASURED AT 50% OF NADIR F.C.

RC - Ceiling Cavity Reflectance

RW - Wall Reflectance