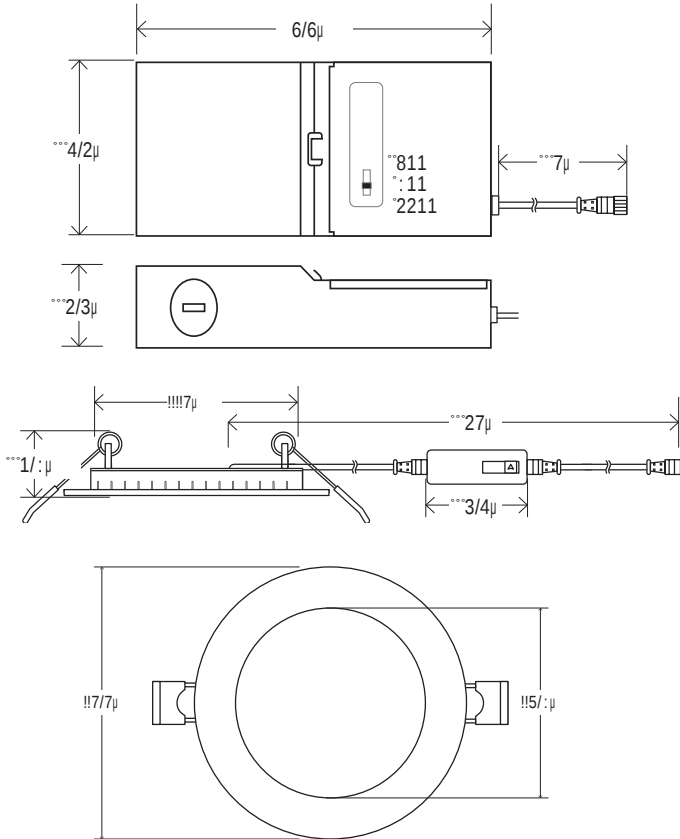




**MULTILUMEN
SELECTOR**

**EASY 5 COLORS
SELECCTOR**
2700K • 3000K • 3500K • 4000K • 5000K



6 I J G H

4" round multi-CCT LED "Slim Disk" engineered for new construction, remodel, or retrofit to accommodate insulated or dropped ceilings. Easily access field-adjustable 3 lumen & 5-Color SeleCCTor switch by lowering the luminaire from the opening. Recessed housing not required, especially with limited plenum applications. Remote driver allows easy installation and maintenance. Small aperture and shallow depth are ideal for unlimited applications.

LUMENS	700/900/1100
CCT	27K/30K/35K/40K/50K
CRI	90+
COLOR QUALITY	3-Step MacAdam Ellipse
CONSTRUCTION	Aluminum die-cast body and trim
TRIM OPTION	Round Flat Lens
TRIM COLORS	WH (White), BK (Black), BZ (Bronze), SN (Satin Nickel), CP (Copper), CH (Chrome)
DIMMING	DIMTR (Triac), DIM10 (0-10V)
EMERGENCY	16W high voltage inverter (remote)
LIFETIME	L70 at 50,000 Hours
PHOTOMETRIC TESTS	In Accordance with IES LM79-08, LM80 and TM-30, TM-21

NOMINAL LUMENS	DELIVERED LUMENS	WATTAGE
700	847	12W
900	911	13W
1100	1235	14W

Based on 4000K, 90+ CRI. Actual wattage may vary +/- 5%

INSTALLATION

8j i°] dā° c° XZ ¸c\# ¸hZg° ā b cVg° cid°
deZc c° \° Wh° hf j ZZo c° \° heg c° \° Xæh° dc° Vdi] °
hYZh° d[° ā b cVg° # |] Z° l° Yi] ° c° XZ ¸c\°
cZZYZY° [dgi] Z° YgkZg° id° i° h° (#
Ndj° ° B J H I ° hZVā Vāi \Veh° WZi l ZC° i] Z°
XZ ¸c\° VcY° mij g° l °] ° l ZVi] Zg° gd[°
h° XdcZ° hZVā/ci# |] h° YZiZgh° b d° hij g° VcY°
l ViZg° [g° b ° Yv° V\ c° \° mij g° h° VcY° di] Zg°
b ZX] Vc° XvXZ ¸c\° Zāb Zcih#

- IC-rated and Air-Tight ready and may be in direct contact with insulation.
- Can be installed in shallow plenum spaces.
- May be installed in drywall or suspended ceilings.
- Flicker-free 120V forward-phase dimming down to 5%.
- Even illumination achieved with patent-pending optics and edge-lit LED technology.
- Ideal where ceiling or top access is unavailable.





SLIM TRIM

TRIM RINGS

ACCESSORIES



RL675-RT-BK
(Black)



RL675-RT-BZ
(Bronze)



RL675-RT-CH
(Chrome)



RL675-RT-CP
(Copper)



RL675-RT-SN
(Satin Nickel)

RL675-RT-BZ



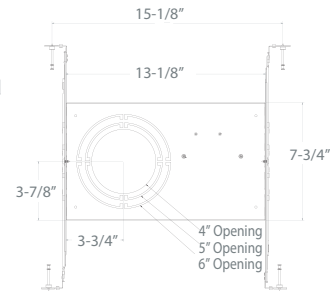
RL-ACC-SLIM-1-10F
10-ft long extension



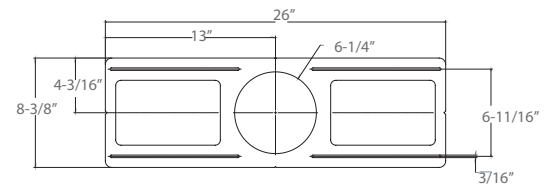
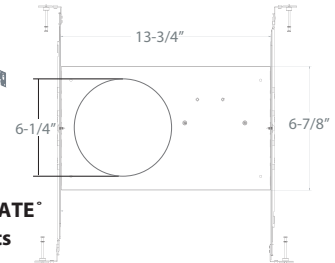
RL-ACC-SLIM-1-20F
20-ft long extension



RL-UNV-4/5/6
For use with: 4", 5", 6" Universal mounting plate



AL-ACC-SLIM-6-F-ROUGHPLATE*
For use with: 6" downlights



GA"688"HA-B "+"GDJ <=EA61 :
Gdj \] "c"ea1Z [dgj hZ1 ^] "+ Ydl ca\] ih

RL-ACC-SLIM-1-10F

EXAMPLE:
RL675-700L/900L/1100L-DIMTR/120-DIM10/
MVOLT-27K/30K/35K/40K/50K-90-WH

TYPE	LUMEN	CCT	CRI	FINISH
RL675	<input type="checkbox"/> 700L/900L/1100L-DIMTR/120-DIM10/MVOLT	<input type="checkbox"/> 27K/30K/35K/40K/50K	<input type="checkbox"/> 90+	<input type="checkbox"/> WH - White

ACCESSORIES
<input type="checkbox"/> RL675-RT-BZ - Bronze
<input type="checkbox"/> RL675-RT-BK - Black
<input type="checkbox"/> RL675-RT-CH - Chrome
<input type="checkbox"/> RL675-RT-CP - Copper
<input type="checkbox"/> RL675-RT-SN - Satin Nickel

OPTIONS
<input type="checkbox"/> RL-ACC-SLIM-1-10F - 10ft Long Extension
<input type="checkbox"/> RL-ACC-SLIM-1-20F - 20ft Long Extension
<input type="checkbox"/> RL-UNV-4/5/6 - Universal Mounting Plate for 4", 5" and 6"
<input type="checkbox"/> RL-ACC-SLIM-6-ROUGHPLATE - 6" Mounting Plate
<input type="checkbox"/> AL-ACC-SLIM-6-F-ROUGHPLATE - 6" Flanged Roughplate
<input type="checkbox"/> EMG-LED-G-16W-HV-FLEX - 16W high voltage inverter (remote)