

# RL632

## 6" NON-CONDUCTIVE LED RETROFIT MODULE



- CRI** 90+
- COLOR QUALITY** 3-Step MacAdam Ellipses
- LUMEN OUTPUT** up to 950 Lumens
- LUMEN PER WATT** Up to 80
- CCT** 30K
- OPTIC** 45° Cut-Off
- WARRANTY** 5 Years

### CERTIFICATIONS

- ETL/cETLus Listed for Wet
- ETL/cETLus Listed for Damp Location
- California Title 24
- LM79/LM80

### UNIQUELY ENGINEERED FOR NEW AND EXISTING CONSTRUCTION

The RL632 is the newest, most efficient, and advanced LED retrofit modules from ELITE Lighting. It's unique design delivers color quality above a 90 CRI rating. The RL632 LED retrofits meet all new mandatory California Title 24 requirements.

The Elite RL632 LED Module has been engineered for new constructions to meet Title-24's "No Edison Socket" mandate. The Elite RL632 LED system works in our dedicated (LD6IC-AT, LD6RIC-AT) housings and our existing 6" Incandescent housings (B6IC-AT, EZ6IC-AT, B26IC-AT, B26RIC-AT, B6RIC-AT) but is also suitable for using in most 6" Incandescent recessed downlight housings in the market.

INPUT VOLT.	INPUT FREQ.	THD	POWER FACTOR	INPUT POWER	LUMENS
120	50/60Hz	<20%	>0.9	12W(+/-5%)	950

### DURABILITY

Our Non-Conductive housing system pulls the heat from the LED chip, allowing the continued cool operation for years. Our LED driver is rated for 50 to 60 Hz at 120V input, and produces less than 20% THD, has a power factor between 0.90 and 1.00 and is thermal protected for additional safety.

### DIMMABLE

The Elite LED Module is dimmable down to 15% of initial light output with compatible dimmers. Consult factory for complete list of compatible dimming systems.

### OUR WORD

The Elite LED lighting system carries a five-year carefree warranty for parts and components. (Labor not included)

### FEATURES

- Over 950 usable lumens are directed from the luminaire to the work surface
- Greater light output than a 26W CFL or a 65W BR30 while consuming less than 12W of power
- Rated at 90+ CRI to meet California Title-24 strict compliance standards
- Life tested to ensure light output up to 50,000 hours of operation to L70
- High performance optic hides LED chip image but still delivers an even beam of light
- Elite's highly selective LED chips produce zero ultraviolet and virtually no infrared light
- Tested to LM-79 and LM-80 standards

LED  
6"

6 INCH LED RETROFIT MODULE

# RL632

## 6" NON-CONDUCTIVE LED RETROFIT MODULE



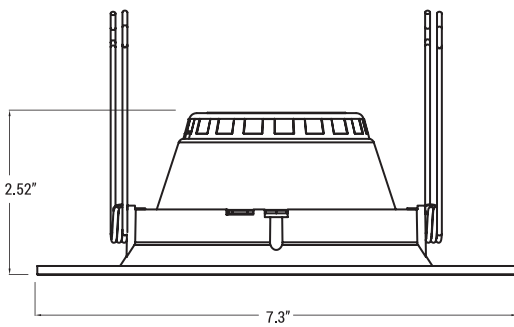
Elite's innovative LED retrofit downlight modules deliver the brightest, most beautiful and most energy efficient ambient lighting to replace any lamp type on your existing fixture.

Example: **RL632-950L-DIMTR-120-30K-90-W-WH**

TYPE	PERFORMANCE	CCT	CRI	FINISH	OPTION
RL632 (Baffle)	<input type="checkbox"/> 950L-DIMTR-120	<input type="checkbox"/> 30K	<input type="checkbox"/> 90+	<input type="checkbox"/> W-WH	<input type="checkbox"/> GU24SA GU24 SOCKET ADAPTER

### Ordering Guide for Compatible Housing

IC - New Construction	Non-IC New Construction	IC - For Remodel	Non-IC For Remodel
LD6IC	LD6-AT	LD6RIC-AT	LD6R-AT
HLD6IC-AT	HLD6-AT	HLD6RIC-AT	HLD6R-AT
LD600IC-AT	B6-AT	EZ6IC-AT	B6R-AT
EZ6IC-AT		B6RIC-AT	
B6IC-AT			
B6IC-100-AT			
B600-IC			



### INSTALLATION

Ez connector to use with special High efficacy housing or Edison base adapter for retrofitting into existing 6" incandescent housings.

- Utilizes industry standard V springs, installs in most 6" incandescent downlights.
- Insert V springs into can and press trim to ceiling.
- You MUST seal all gaps between the ceiling and fixture with weatherproof silicone sealant. This deters moisture and water from damaging fixtures and other mechanical ceiling elements.

LED

6"

6 INCH LED RETROFIT MODULE