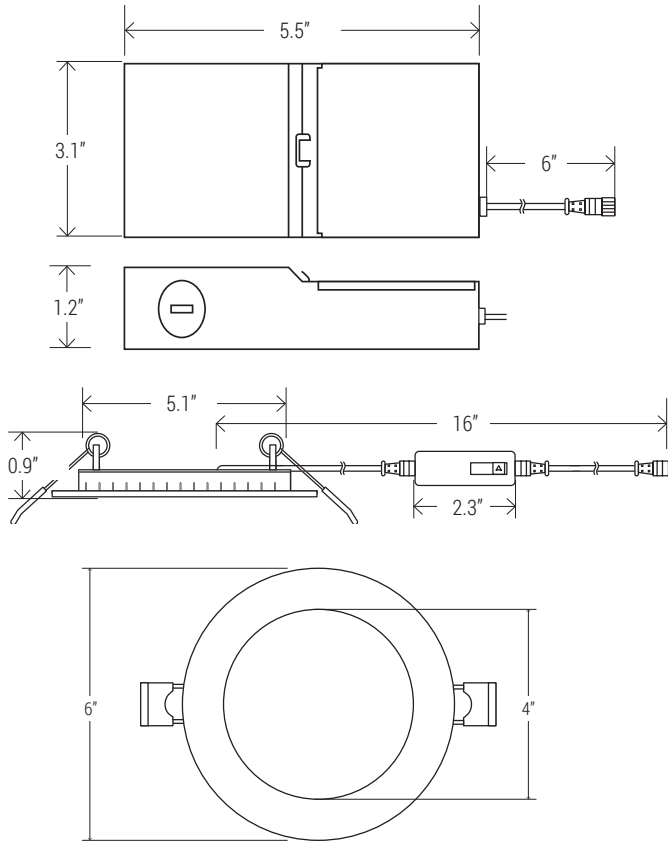


EASY 5 COLORS
SELECCTOR
2700K • 3000K • 3500K • 4000K • 5000K



NOMINAL LUMENS	DELIVERED LUMENS	WATTAGE
1100	1184	14W
700	859	11W

Based on 4000K, 90+ CRI. Actual wattage may vary +/- 5%

INSTALLATION

Cut hole in ceiling. Insert luminaire into opening by squeezing spring clips on both sides of luminaire. The width in ceiling needed for the driver to fit is 3".

You **MUST** seal all gaps between the ceiling and fixture with weatherproof silicone sealant. This deters moisture and water from damaging fixtures and other mechanical ceiling elements.

FEATURES

5" round dimmable multi-CCT LED "Slim Disk" engineered for new construction, remodel, or retrofit to accommodate insulated or dropped ceilings. Easily access field-adjustable 5-Color SeleCCTor switch by lowering the luminaire from the opening. Remote driver allows easy installation and maintenance. Small aperture and shallow depth are ideal for unlimited applications.

LUMENS	700, 1100
CCT	27K/30K/35K/40K/50K
CRI	90+
COLOR QUALITY	3-Step MacAdam Ellipse
CONSTRUCTION	Aluminum die-cast body and trim
TRIM OPTION	Round Flat Lens
TRIM COLORS	WH (White), BK (Black), BZ (Bronze), CH, Chrome), SN(Satin Nickel),
DIMMING	DIMTR (Triac), DIM10 (0-10V)
EMERGENCY	16W high voltage inverter (remote)
LIFETIME	L70 at 50,000 Hours
PHOTOMETRIC TESTS	In Accordance with IES LM79-08, LM80 and TM-30, TM-21

- IC-rated and Air-Tight ready and may be in direct contact with insulation.
- Can be installed in shallow plenum spaces.
- May be installed in drywall or suspended ceilings.
- Flicker-free 120V forward-phase Triac dimming down to 5%.
- Even illumination achieved with patent-pending optics and edge-lit LED technology.
- Ideal when ceiling or top access is unavailable.



SLIM TRIM



EXAMPLE: **RL575-1100L-DIMTR-120-27K/30K/35K/40K/50K-90-WH**

TYPE	LUMEN	CCT	CRI	FINISH
RL575	<input type="checkbox"/> 700L-DIMTR-120 <input type="checkbox"/> 700L-DIM10-120-347 <input type="checkbox"/> 1100L-DIMTR-120 <input type="checkbox"/> 1100L-DIM10-120-347	<input type="checkbox"/> 27K/30K/35K/40K/50K	<input type="checkbox"/> 90+	<input type="checkbox"/> WH-White <input type="checkbox"/> BK-Black <input type="checkbox"/> BZ-Bronze <input type="checkbox"/> CH-Chrome <input type="checkbox"/> SN-Satin Nickel

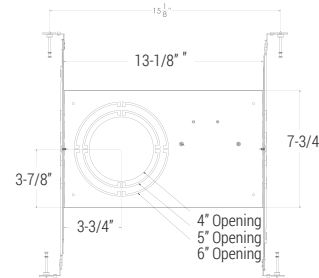
ACCESSORIES



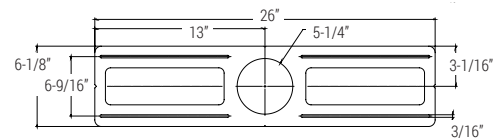
RL-ACC-SLIM-1-10F
10-ft long extension



RL-ACC-SLIM-1-20F
20-ft long extension



RL-UNV-4/5/6
For use with: 4", 5", 6"
Universal mounting plate



RL-ACC-SLIM-5-ROUGHPLATE
Rough-in plate for use with 5" downlights

RL-ACC-SLIM-1-10F

OPTIONS
<input type="checkbox"/> RL-ACC-SLIM-1-10F - 10ft Long Extension <input type="checkbox"/> RL-ACC-SLIM-1-20F - 20ft Long Extension <input type="checkbox"/> RL-UNV-4/5/6 - Universal Mounting Plate for 4", 5" and 6" <input type="checkbox"/> RL-ACC-SLIM-5-ROUGHPLATE - 5" Mounting Plate

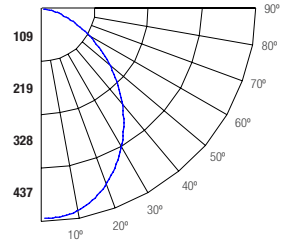
RL575-700L-120-27K-30K-35K-40K-50K-90-WH

TEST NO.: **EL103019128**

INPUT WATTS: **11.8772** LUMENS: **859** CRI: **90** EFFICACY: **72** CCT: **2700K**

SPACING CRITERIA: **1.20**

Candle Power Distribution (Candelas)



Cone of Light			
2	151 fc	3.2 ft	3.2 ft
4	40.1 fc	6.3 ft	6.3 ft
6	17.5 fc	9.5 ft	9.5 ft
8	9.73 fc	12.8 ft	12.8 ft
10	6.34 fc	15.8 ft	15.8 ft
12	4.37 fc	19.1 ft	19.1 ft

BEAM DIA. MEASURED AT 50% OF NADIR F.C.

Zonal Lumens Summary

Zone	Lumens	%Lamp	%Fixt
0-20	154.61	18.00	18.00
0-30	316.02	36.80	36.80
0-40	492.89	57.40	57.40
0-60	773.30	90.00	90.00
0-80	858.43	99.90	99.90
0-90	858.46	99.90	99.90

Luminance (Average candela/M²)

Angle in Degrees	Average 0°	Average 45°	Average 90°
45	98097	95899	97433
55	77034	74491	76526
65	49886	48355	51489
75	15514	14151	18608
85	79	79	79

Lumens Per Zone

Zone	Lumens
0-10	41.00
10-20	113.61
20-30	161.41
30-40	176.87
40-50	160.53
50-60	119.89
60-70	67.24
70-80	17.89
80-90	0.03

Candela Tabulation

0	
0	436.79
5	432.35
15	401.60
25	347.45
35	278.45
45	202.64
55	129.08
65	61.59
75	11.73
85	0.02
90	0.03

Coefficients of Utilization - Zonal Cavity Method

Effective Floor Cavity Reflectance 0.20

RC	RW	80%				70%				50%			30%			10%			0%
		70%	50%	30%	10%	70%	50%	30%	10%	50%	30%	10%	50%	30%	10%	50%	30%	10%	
0	119	119	119	119	116	116	116	116	111	111	111	106	106	106	102	102	102	100	
1	111	107	104	101	108	105	102	99	101	98	96	97	95	93	93	92	90	88	
2	102	96	90	85	100	94	89	84	90	86	82	87	84	80	84	81	79	77	
3	95	85	78	73	92	84	77	72	81	76	71	78	74	70	76	72	69	67	
4	87	77	69	63	85	76	68	63	73	67	62	71	66	61	69	64	60	58	
5	81	69	61	55	79	68	61	55	66	60	55	64	59	54	63	58	54	52	
6	75	63	55	49	73	62	55	49	60	54	49	59	53	48	57	52	48	46	
7	70	58	50	44	68	57	49	44	55	49	44	54	48	43	53	47	43	41	
8	65	53	45	40	64	52	45	40	51	44	39	50	44	39	49	43	39	37	
9	61	49	41	36	60	48	41	36	47	41	36	46	40	36	45	40	36	34	
10	58	45	38	33	56	45	38	33	44	37	33	43	37	33	42	37	33	31	

RC - Ceiling Cavity Reflectance

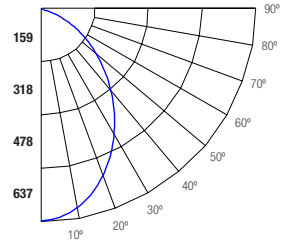
RL575-1100L-DIMTR-120-27K-30K-35K-40K-50K-90-WH

TEST NO.: **EL07282031**

INPUT WATTS: **13.5638** LUMENS: **1184** CRI: **90** EFFICACY: **87** CCT: **2700K**

SPACING CRITERIA: **1.18**

Candle Power Distribution (Candelas)



Cone of Light			
2	220 fc	3.1 ft	3.1 ft
4	58.4 fc	5.9 ft	5.9 ft
6	25.5 fc	9 ft	9 ft
8	14.2 fc	12 ft	12 ft
10	9.24 fc	14.9 ft	14.9 ft
12	6.36 fc	18 ft	17.9 ft

BEAM DIA. MEASURED AT 50% OF NADIR F.C.

Zonal Lumens Summary

Zone	Lumens	%Lamp	%Fixt
0-20	223.23	18.80	18.80
0-30	452.25	38.20	38.20
0-40	698.37	59.00	59.00
0-60	1080.79	91.30	91.30
0-80	1183.69	99.90	99.90
0-90	1183.71	100.00	99.90

Luminance (Average candela/M²)

Angle in Degrees	Average 0°	Average 45°	Average 90°
45	132835	134055	138499
55	103209	104420	108890
65	67267	69908	73974
75	8557	9284	595
85	79	157	39

Lumens Per Zone

Zone	Lumens
0-10	59.56
10-20	163.67
20-30	229.02
30-40	246.12
40-50	219.65
50-60	162.77
60-70	89.33
70-80	13.57
80-90	0.02

Candela Tabulation

0	
0	636.43
5	627.59
15	575.48
25	488.89
35	383.35
45	274.40
55	172.94
65	83.05
75	6.47
85	0.02
90	0.03

Coefficients of Utilization - Zonal Cavity Method

Effective Floor Cavity Reflectance 0.20

RC	RW	80%				70%				50%			30%			10%			0%
		70%	50%	30%	10%	70%	50%	30%	10%	50%	30%	10%	50%	30%	10%	50%	30%	10%	
0	119	119	119	119	116	116	116	116	111	111	111	106	106	106	102	102	102	100	
1	111	107	104	101	109	105	102	100	101	99	96	97	95	93	94	92	91	89	
2	103	96	91	86	100	94	89	85	91	87	83	88	84	81	85	82	79	77	
3	95	86	79	74	93	85	78	73	82	76	72	79	75	71	77	73	70	68	
4	88	78	70	64	86	76	69	64	74	68	63	72	66	62	70	65	61	59	
5	82	70	62	57	80	69	62	56	67	61	56	65	60	55	64	59	55	53	
6	76	64	56	50	74	63	56	50	61	55	50	60	54	49	58	53	49	47	
7	71	59	51	45	69	58	50	45	56	50	45	55	49	44	54	48	44	42	
8	66	54	46	41	65	53	46	41	52	45	40	51	45	40	50	44	40	38	
9	62	50	42	37	61	49	42	37	48	41	37	47	41	37	46	41	36	35	
10	58	46	39	34	57	46	39	34	45	38	34	44	38	34	43	37	33	32	

RC - Ceiling Cavity Reflectance