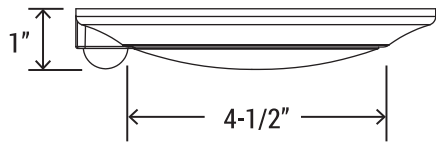
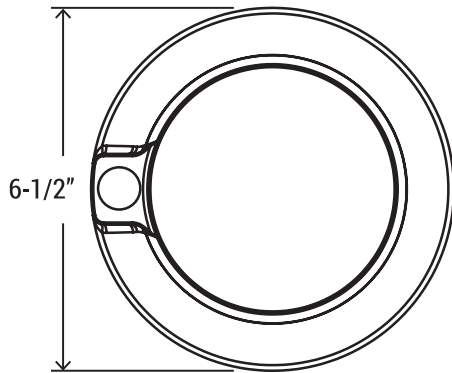




EASY 5 COLORS
SELECCTOR
2700K • 3000K • 3500K • 4000K • 5000K



NOMINAL LUMENS	DELIVERED LUMENS	WATTAGE
600	820	10W

Based on 4000K, 90+ CRI. Actual wattage may vary +/- 5%

FEATURES

The Elite RL417 has been engineered for standard junction boxes. Lights turns ON/OFF when movement is detected. Over 600 usable lumens are directed from the luminaire to the work surface. Lighting is smooth and comfortable, all while using 75% less energy than the equivalent 50W BR20 and 25% less than the common 13W CFL. Plus the Elite RL417 features 50,000 hours of life, and California Title-24 compliance.

LUMENS	600
CCT	27K/30K/35K/40K/50K
CRI	90+
COLOR QUALITY	3-Step MacAdam Ellipse
FINISH	WH (White)
LIFETIME	50,000 Hours

OPTICS

The Elite-Engineered LED Module system is much more than just a simple LED retrofit. The Elite LED system is a highly engineered work of design and optical science which produces over 600 lumens! Our meticulously crafted optics gather the light scattered by the LED chip and shape it into a functional beam with uniform light distribution.

DURABILITY

Flame retardant PC body and heat management system are engineered for extremely long life and service period. Without proper heat management, any LED luminaire will fail. Life tests have shown the Elite RL417 light output will be maintained at 70% of initial at 50,000 hours of operation.

REPEATABLE

Repeatability means quality. From our chip selection process, to our driver, to the thermal management, the Elite RL417 Module is engineered for quality. All Elite LED luminaires are rated at 90+ CRI, as rated and tested to LM-79 and LM-80 standards by a certified laboratory. Elite's highly selective LED chips produce zero ultraviolet and virtually no infrared light.

INTERCHANGEABLE

The Elite RL417 LED system fits in most junction boxes.

OUR WORD

Elite LED lighting system carries a five-year carefree warranty for parts and components. (Labor not included)

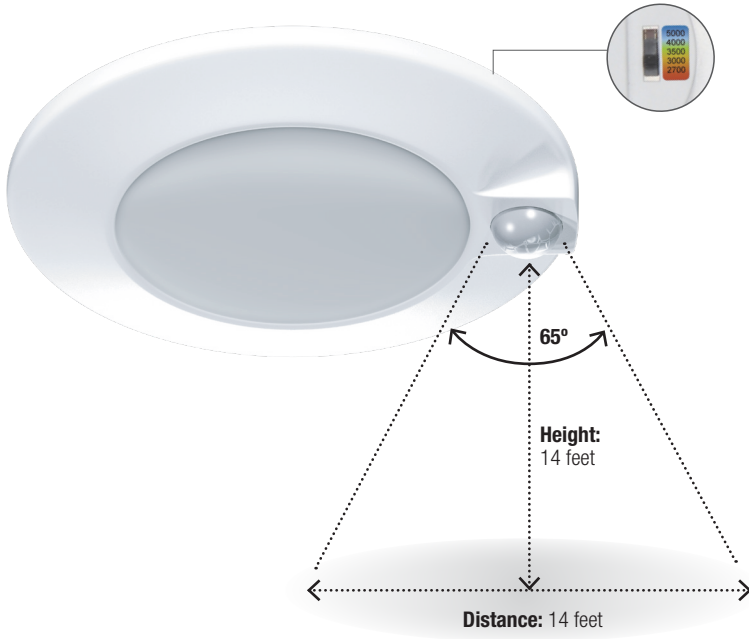
RATING

Closet Rating

EXAMPLE: **RL417-600L-120-27K/30K/35K/40K/50K-90-WH**

TYPE	LUMEN/VOLTAGE	CCT	CRI	FINISH	OPTIONS
RL417	<input type="checkbox"/> 600L-120	<input type="checkbox"/> 27K/30K/35K/40K/50K	<input type="checkbox"/> 90+	<input type="checkbox"/> WH-White	<input type="checkbox"/> GU24SA -GU24 Socket Adapter





PIR Motion Sensor

Turn on when detecting movement, not only in dark, but also daytime. Turn off after 30 seconds (customized is also available) delay if no more motion

- Flame Retardant PC material
- Input voltage: AC 120V 50/60Hz
- The light features a 10 Watt LED module, making it the energy efficient, popular alternative to incandescent and CFL fixtures
- It is easy to install with keyholes for multiple ceiling box configurations
- Designed for indoor use only

UNIT FITS MOST 4" JUNCTION BOXES

