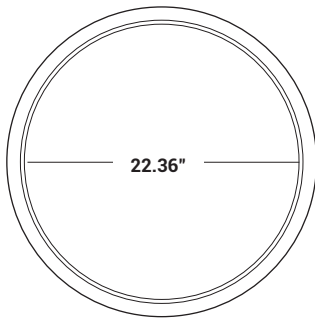
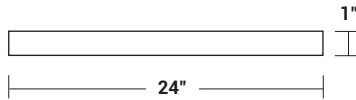




EASY 5 COLORS
SELECCTOR
2700K • 3000K • 3500K • 4000K • 5000K



DIMENSIONS



NOMINAL LUMENS	DELIVERED LUMENS	WATTAGE
4000L	3603L	38W

Based on 4000K, 90+ CRI. Actual wattage may vary +/- 5%

FEATURES

This 24" LED slim surface mount features an ultra-low profile that suits both modern and contemporary design and low plenum spaces. Engineered for easy installation into most standard junction boxes and built with a high-quality, edgelit, LED configuration for radiant, glare-free illumination that makes for an effective and versatile solution.

Ideal for use in hallways, bedrooms, stairways, lobbies, living rooms and more in residential and hospitality applications. Easy to install via J-box or recessed "can" installation. Damp location suitable.

LUMENS	4000L
CCT	27K/30K/35K/40K/50K
CRI	90+ Standard
COLOR QUALITY	3-Step MacAdam Ellipse
MOUNTING	Surface, Suspended, Pendant Mount
DIMMING	DIM10 - 0-10V 10% Flicker-free Dimming
OPTICS	Very Wide Flood (VWFL) at 120° Beam Angle
VOLTAGE	120-277V
FINISH	White (WH)
OPERATION TEMP.	-20°C (-4°F) to 40°C (104°F)
LIFETIME	L70 at 50,000 Hours
PHOTOMETRIC	In accordance with IES LM79-08, LM80 and TM-30, TM-21



OPTICS

Features a slightly regressed translucent acrylic lens and an edge-lit LED placement ensures an even, glare-less illumination with no dark spots.

A static lumen output of 4000L ensures bright general illumination. Five selectable color temperatures of 27K/30K/35K/40K/50K enable different warm to cool moods and atmospheres. CCT factory set to 5000K.

CONSTRUCTION

Body made from a durable, thermally conductive plastic with a metal backplate. Sealed and gasketed for indoor damp location use.

Multi-CCT switch located on luminaire back. Available in a white body and trim finish, standard.

MOUNTING

Capable of pendant and suspended mounting with use of pendant mounting kit and suspension kit. Kits sold separately.

J-box mounting bracket, 2 mounting screws, and 3 wire nuts included.

Compatible with various round, octagonal, or fire-rated 4" J-boxes. J-boxes options not available to order.



3.5" Round (Plastic)



4" Square (Plastic)



4" Octagonal (Metal)



4" Fire Rated J-Box

MAINTENANCE

Luminaire can be wiped down with a dry or damp cloth for optimal performance.

OPTIONS & ACCESSORIES

Pendant and suspension mounting kits available to order separately.

Pendant mounting kit includes x4 11.8 in poles and x2 5.9 in aluminum poles which can be used alone or combined for a maximum length of 4.9 ft. Includes adjustable canopy to accommodate sloped ceilings.

Suspension kit includes a round ceiling mounting plate and 1 set of wire sling.

See order chart for details.

DRIVER & ELECTRICAL INFORMATION

Powered by high-quality constant-current LED drivers which are rated for 50 to 60Hz at 120-277V input and have a power factor of .90 to 1.00. Thermally protected for increased performance and safety.

DIMMING

DIM10 - 10% 0-10V Flicker-free dimming at 120-277V.

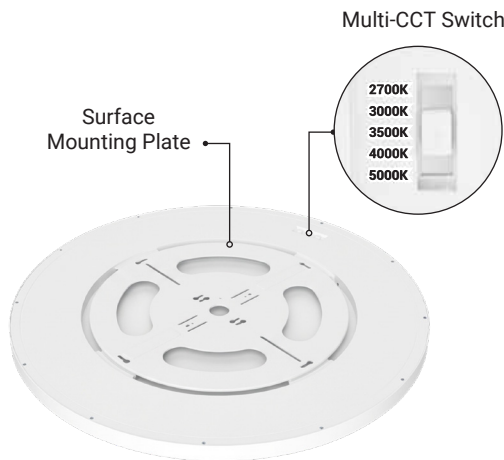
WARRANTY

5-year warranty for parts and components (labor not included).

LISTINGS

cETLus Listed.
Suitable for damp locations.
IP40 ingress protection against dust and moisture.
Title 24 compliant.
FCC listed.
IK05 rated for low-risk impact resistance.

PRODUCT FEATURES



MOUNTING KITS



Suspension Kit (RL2492-ACC-SM-WH)



Pendant Kit (RL1692/RL2492-ACC-PM-WH)

Example: **RL2492-4000L-DIM10-MVOLT-27K/30K/35K/40K/50K-90-WH**

RL2492							
SERIES	LUMENS	DIMMING	VOLTAGE	CCT	CRI	FINISH	OPTION
RL2492	4000L	DIM10 0-10V	MVOLT 120-277V	27K/30K/35K/40K/50K	90	WH - White	PM - Pendant Mounting Kit SM - Suspension Mounting Kit

RL2492-4000L-DIM10-MVOLT-27K-30K-35K-40K-50K-90-WH

TEST NO.: **EL02162624**

INPUT WATTS: **38.1**

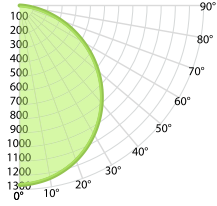
LUMENS: **3603**

EFFICACY: **95**

BEAM ANGLE: **110**

SPACING CRITERIA: **1.23**

CANDELA DISTRIBUTION



CANDELA TABLE

	0°	90°
0°	1268	1268
10°	1237	1274
20°	1164	1213
30°	1050	1107
40°	901	963
50°	723	785
60°	523	582
70°	314	367
80°	119	158
90°	0	0

LUMINANCE (cd/sq.m)

	0.00°	90.00°
0.00°	4345	4345
45.00°	3953	4253
55.00°	3738	4099
65.00°	3397	3850
75.00°	2812	3434
85.00°	1559	2610

LUMENS PER ZONE

ZONE	LUMENS
0° - 10°	127
10° - 20°	342
20° - 30°	518
30° - 40°	624
40° - 50°	646
50° - 60°	581
60° - 70°	441
70° - 80°	252
80° - 90°	69

ZONAL LUMEN SUMMARY

ZONE	LUMENS	% LUMINAIRE
0° - 20°	470	13%
0° - 30°	988	27%
0° - 40°	1612	45%
0° - 60°	2839	79%
0° - 80°	3532	98%
0° - 90°	3601	100%

CONE OF LIGHT

MOUNTING HEIGHT	FC AT BEAM CENTER	BEAM DIA. 0°	BEAM DIA. 90°
6.0 m	35.2 lx	17.3 m	17.9 m
8.0 m	19.8 lx	23.0 m	23.8 m
10.0 m	12.7 lx	28.8 m	29.8 m
12.0 m	8.8 lx	34.5 m	35.7 m
14.0 m	6.5 lx	40.3 m	41.7 m
16.0 m	5.0 lx	46.0 m	47.7 m
18.0 m	3.9 lx	51.8 m	53.6 m
20.0 m	3.2 lx	57.5 m	59.6 m

INDOOR COEFFICIENTS OF UTILIZATION

ρf	20%																0%	
	80%			70%			50%			30%			10%			0%		
ρw	70%	50%	30%	10%	70%	50%	30%	10%	50%	30%	10%	50%	30%	10%	50%	30%	10%	0%
0	119	119	119	119	116	116	116	116	111	111	111	106	106	106	102	102	102	100
1	109	104	100	96	106	102	98	94	97	94	91	93	91	88	90	88	86	84
2	99	90	84	78	96	89	82	77	85	80	75	82	77	73	79	75	72	70
3	90	79	71	65	88	78	70	64	75	68	63	72	66	62	69	65	61	59
4	82	70	61	55	80	69	61	54	66	59	54	64	58	53	62	57	52	50
5	76	63	54	47	74	62	53	47	60	52	46	58	51	46	56	50	45	43
6	70	57	48	41	68	56	47	41	54	46	41	52	45	40	51	45	40	38
7	65	51	42	36	63	50	42	36	49	41	36	47	41	36	46	40	35	33
8	60	47	38	32	59	46	38	32	45	37	32	44	37	32	42	36	32	30
9	56	43	35	29	55	42	34	29	41	34	29	40	34	29	39	33	29	27
10	53	40	32	26	52	39	32	26	38	31	26	37	31	26	36	30	26	24