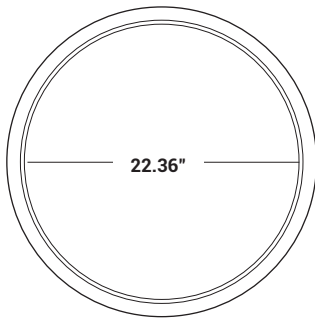
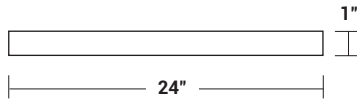




EASY 5 COLORS
SELECCTOR
2700K • 3000K • 3500K • 4000K • 5000K



DIMENSIONS



NOMINAL LUMENS	DELIVERED LUMENS	WATTAGE
3000L	3424L	40W

Based on 4000K, 90+ CRI. Actual wattage may vary +/- 5%

INSTALLATION

For wet location application, you **MUST** seal all gaps between the ceiling and fixture with weatherproof silicone sealant. This deters moisture and water from damaging fixtures and other mechanical ceiling elements.

FEATURES

This 24" LED slim surface mount features an ultra-low profile that suits both modern and contemporary design and low plenum spaces. Engineered for easy installation into most standard junction boxes and built with a high-quality, backlit, LED configuration for radiant, glare-free illumination that makes for an effective and versatile solution.

Ideal for use in hallways, bedrooms, stairways, lobbies, living rooms and more in residential and hospitality applications. Easy to install via J-box or recessed "can" installation.

LUMENS	3000L
CCT	27K/30K/35K/40K/50K
CRI	90+ Standard
COLOR QUALITY	3-Step MacAdam Ellipse
MOUNTING	Surface Ceiling Mount
DIMMING	DIMTR - 5% Triac Dimming
OPTICS	Very Wide Flood (VWFL) at 120° Beam Angle
VOLTAGE	120V
FINISH	White (WH)
OPERATION TEMP.	-20°C (-4°F) to 40°C (104°F)
LIFETIME	L70 at 50,000 Hours
PHOTOMETRIC	In accordance with IES LM79-08, LM80 and TM-30, TM-21



OPTICS

Features a slightly regressed translucent acrylic lens and an edge-lit LED placement ensures an even, glare-less illumination with no dark spots.

A static lumen output of 3000L ensures bright general illumination. Five selectable color temperatures of 27K/30K/35K/40K/50K enable different warm to cool moods and atmospheres. CCT factory set to 5000K.

CONSTRUCTION

Body made from a durable, thermally conductive plastic with a metal backplate.

Sealed and gasketed for indoor wet location use.

Multi-CCT switch located on luminaire back.

Available in a white body and trim finish, standard.

MOUNTING

Suitable for surface mounting via J-box.

J-box mounting bracket, 2 mounting screws, and 3 wire nuts included.

Compatible with various round, octagonal, or fire-rated 4" J-boxes. J-boxes options not available to order.

MAINTENANCE

Suitable for ceiling surface mounting. Surface mounting plate included.

DRIVER & ELECTRICAL INFORMATION

Powered by high-quality constant-current LED drivers which are rated for 50 to 60Hz at 120V input and have a power factor of .90 to 1.00. Thermally protected for increased performance and safety.

DIMMING

DIMTR - 5% Triac dimming at 120V only.

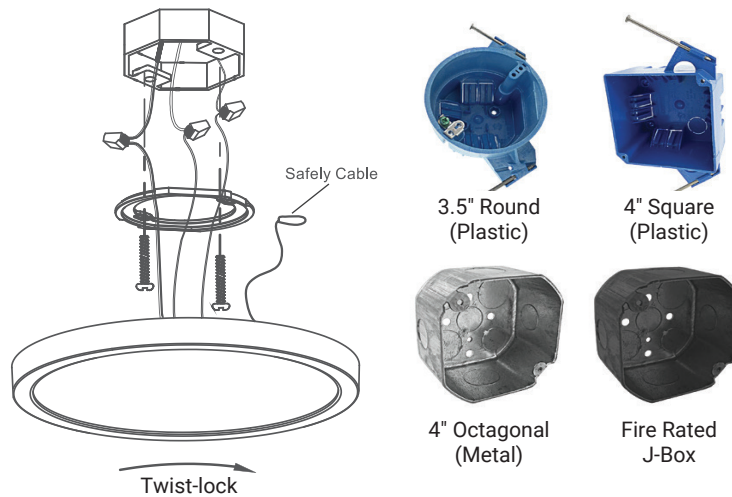
WARRANTY

5-year warranty for parts and components (labor not included).

LISTINGS

ETL listed.
Energy Star certified.
JA8 and Title 24 compliant.
Wet location suitable.

COMPATIBLE JUNCTION BOXES (NOT SOLD AT ELITE):



Example: **RL2491-3000L-DIMTR-120-27K/30K/35K/40K/50K-90-WH**

RL2491					
SERIES	LUMENS	DIMMING	CCT	CRI	FINISH
RL2491	3000L	DIMTR-120 Triac Dimming at 120V	27K/30K/40K/50K	90	WH - White

RL2491-3000L-DIMTR-120-27K-30K-35K-40K-50K-90-WH

TEST NO.: **EL06162517**

INPUT WATTS: **39.6**

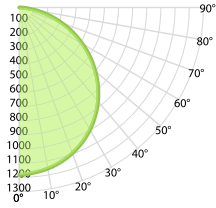
LUMENS: **3424**

EFFICACY: **86**

BEAM ANGLE: **112**

SPACING CRITERIA: **1.25**

CANDELA DISTRIBUTION



CANDELA TABLE

	0°	90°
0°	1183	1183
10°	1155	1198
20°	1095	1144
30°	997	1051
40°	864	919
50°	701	753
60°	515	560
70°	319	354
80°	128	154
90°	0	0

LUMINANCE (cd/sq.m)

	0.00°	90.00°
0.00°	4053	4053
45.00°	3806	4070
55.00°	3644	3939
65.00°	3384	3710
75.00°	2930	3331
85.00°	1649	2547

LUMENS PER ZONE

ZONE	LUMENS
0° - 10°	119
10° - 20°	321
20° - 30°	488
30° - 40°	590
40° - 50°	614
50° - 60°	555
60° - 70°	424
70° - 80°	246
80° - 90°	67

ZONAL LUMEN SUMMARY

ZONE	LUMENS	% LUMINAIRE
0° - 20°	439	13%
0° - 30°	927	27%
0° - 40°	1517	44%
0° - 60°	2686	78%
0° - 80°	3356	98%
0° - 90°	3423	100%

CONE OF LIGHT

MOUNTING HEIGHT	FC AT BEAM CENTER	BEAM DIA. 0° -180°	BEAM DIA. 90° -270°
6.0 ft	32.9 fc	17.7 ft	18.3 ft
8.0 ft	18.5 fc	23.6 ft	24.3 ft
10.0 ft	11.8 fc	29.5 ft	30.4 ft
12.0 ft	8.2 fc	35.4 ft	36.5 ft
14.0 ft	6.0 fc	41.3 ft	42.6 ft
16.0 ft	4.6 fc	47.2 ft	48.7 ft
18.0 ft	3.7 fc	53.1 ft	54.8 ft
20.0 ft	3.0 fc	59.0 ft	60.8 ft

INDOOR COEFFICIENTS OF UTILIZATION

ρf ρc ρw	20%												10%				0%	
	80%			70%			50%			30%			10%		0%			
	70%	50%	30%	10%	70%	50%	30%	10%	50%	30%	10%	50%	30%	10%	50%	30%	10%	0%
0	119	119	119	119	116	116	116	116	111	111	111	106	106	106	102	102	102	100
1	109	104	99	96	106	102	98	94	97	94	91	93	91	88	90	88	86	83
2	99	90	83	78	96	88	82	77	85	79	75	82	77	73	78	75	72	69
3	90	79	71	64	87	78	70	64	75	68	63	72	66	62	69	65	60	58
4	82	70	61	54	80	69	60	54	66	59	53	64	58	53	62	56	52	50
5	76	63	54	47	73	61	53	47	59	52	46	57	51	46	55	50	45	43
6	70	56	47	41	68	55	47	41	54	46	40	52	45	40	50	44	40	37
7	65	51	42	36	63	50	42	36	49	41	36	47	40	35	46	40	35	33
8	60	47	38	32	59	46	38	32	45	37	32	43	37	32	42	36	31	30
9	56	43	35	29	55	42	34	29	41	34	29	40	33	29	39	33	28	27
10	53	39	32	26	51	39	31	26	38	31	26	37	30	26	36	30	26	24