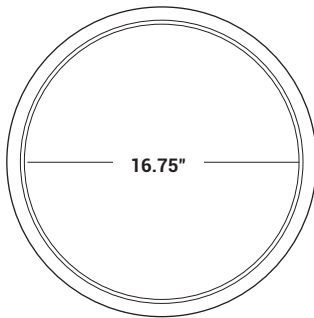
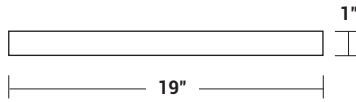




EASY 5 COLORS
SELECCTOR
2700K • 3000K • 3500K • 4000K • 5000K



DIMENSIONS



NOMINAL LUMENS	DELIVERED LUMENS	WATTAGE
2200L	2879L	35W

Based on 4000K, 90+ CRI. Actual wattage may vary +/- 5%

INSTALLATION

For wet location application, you **MUST** seal all gaps between the ceiling and fixture with weatherproof silicone sealant. This deters moisture and water from damaging fixtures and other mechanical ceiling elements.

FEATURES

This 19" LED slim surface mount features an ultra-low profile that suits both modern and contemporary design and low plenum spaces. Engineered for easy installation into most standard junction boxes and built with a high-quality, backlit, LED configuration for radiant, glare-free illumination that makes for an effective and versatile solution.

Ideal for use in hallways, bedrooms, stairways, lobbies, living rooms and more in residential and hospitality applications. Easy to install via J-box or recessed "can" installation.

LUMENS	2200L
CCT	27K/30K/35K/40K/50K
CRI	90+ Standard
COLOR QUALITY	3-Step MacAdam Ellipse
MOUNTING	Surface Ceiling Mount
DIMMING	DIMTR - 1% Triac Dimming
OPTICS	Very Wide Flood (VWFL) at 120° Beam Angle
VOLTAGE	120V
FINISH	White (WH)
OPERATION TEMP.	-20°C (-4°F) to 40°C (104°F)
LIFETIME	L70 at 50,000 Hours
PHOTOMETRIC	In accordance with IES LM79-08, LM80 and TM-30, TM-21



OPTICS

Features a slightly regressed translucent acrylic lens and an edge-lit LED placement ensures an even, glare-less illumination with no dark spots.

A static lumen output of 2200L ensures bright general illumination. Five selectable color temperatures of 27K/30K/35K/40K/50K enable different warm to cool moods and atmospheres. CCT factory set to 5000K.

CONSTRUCTION

Body made from a durable, thermally conductive plastic with a metal backplate.

Sealed and gasketed for indoor wet location use.

Multi-CCT switch located on luminaire back.

Available in a white body and trim finish, standard.

MOUNTING

Suitable for surface mounting via J-box.

J-box mounting bracket, 2 mounting screws, and 3 wire nuts included.

Compatible with various round, octagonal, or fire-rated 4" J-boxes. J-boxes options not available to order.

MAINTENANCE

Suitable for ceiling surface mounting. Surface mounting plate included.

DRIVER & ELECTRICAL INFORMATION

Powered by high-quality constant-current LED drivers which are rated for 50 to 60Hz at 120V input and have a power factor of .90 to 1.00. Thermally protected for increased performance and safety.

DIMMING

DIMTR - 1% Triac dimming at 120V only.

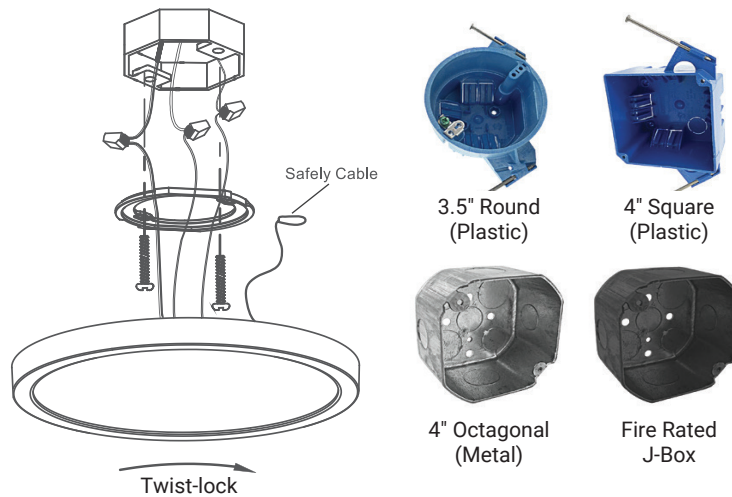
WARRANTY

5-year warranty for parts and components (labor not included).

LISTINGS

ETL listed.
Energy Star certified.
JA8 and Title 24 compliant.
Wet location suitable.

COMPATIBLE JUNCTION BOXES (NOT SOLD AT ELITE):



Example: **RL1991-2200L-DIMTR-120-27K/30K/35K/40K/50K-90-WH**

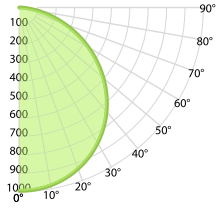
RL1991					
SERIES	LUMENS	DIMMING	CCT	CRI	FINISH
RL1991	2200L	DIMTR-120 Triac Dimming at 120V	27K/30K/40K/50K	90	WH - White

RL1991-2200L-DIMTR-120-27K-30K-35K-40K-50K-90-WH

TEST NO.: **EL11142531**

INPUT WATTS: **34.6** LUMENS: **2879** EFFICACY: **83** BEAM ANGLE: **113** SPACING CRITERIA: **1.26 x 1.26**

CANDELA DISTRIBUTION



CANDELA TABLE

	0°	90°
0°	996	996
10°	981	980
20°	932	931
30°	850	851
40°	737	741
50°	596	605
60°	434	448
70°	264	283
80°	104	123
90°	0	0

LUMINANCE (cd/sq.m)

	0.00°	90.00°
0.00°	5470	5470
45.00°	5195	5248
55.00°	4941	5060
65.00°	4532	4751
75.00°	3830	4263
85.00°	2111	3326

LUMENS PER ZONE

ZONE	LUMENS
0° - 10°	100
10° - 20°	270
20° - 30°	411
30° - 40°	498
40° - 50°	517
50° - 60°	466
60° - 70°	354
70° - 80°	204
80° - 90°	56

ZONAL LUMEN SUMMARY

ZONE	LUMENS	% LUMINAIRE
0° - 20°	370	13%
0° - 30°	781	27%
0° - 40°	1279	44%
0° - 60°	2262	79%
0° - 80°	2820	98%
0° - 90°	2876	100%

CONE OF LIGHT

MOUNTING HEIGHT	FC AT BEAM CENTER	BEAM DIA. 0° -180°	BEAM DIA. 90° -270°
6.0 ft	27.7 fc	18.2 ft	18.1 ft
8.0 ft	15.6 fc	24.2 ft	24.1 ft
10.0 ft	10.0 fc	30.3 ft	30.2 ft
12.0 ft	6.9 fc	36.3 ft	36.2 ft
14.0 ft	5.1 fc	42.4 ft	42.2 ft
16.0 ft	3.9 fc	48.5 ft	48.3 ft
18.0 ft	3.1 fc	54.5 ft	54.3 ft
20.0 ft	2.5 fc	60.6 ft	60.3 ft

INDOOR COEFFICIENTS OF UTILIZATION

ρf ρc ρw	20%																		0%
	80%			70%			50%			30%			10%			0%			
	70%	50%	30%	10%	70%	50%	30%	10%	50%	30%	10%	50%	30%	10%	50%	30%	10%	0%	
0	119	119	119	119	116	116	116	116	111	111	111	106	106	106	102	102	102	100	
1	109	104	100	96	106	102	98	94	97	94	91	93	91	88	90	88	86	83	
2	99	90	84	78	96	88	82	77	85	80	75	82	77	73	79	75	72	69	
3	90	79	71	65	87	78	70	64	75	68	63	72	66	62	69	65	61	58	
4	82	70	61	55	80	69	61	54	66	59	53	64	58	53	62	56	52	50	
5	76	63	54	47	74	62	53	47	59	52	46	57	51	46	56	50	45	43	
6	70	56	47	41	68	55	47	41	54	46	40	52	45	40	50	44	40	38	
7	65	51	42	36	63	50	42	36	49	41	36	47	41	35	46	40	35	33	
8	60	47	38	32	59	46	38	32	45	37	32	43	37	32	42	36	31	30	
9	56	43	35	29	55	42	34	29	41	34	29	40	33	29	39	33	28	27	
10	53	40	32	26	52	39	31	26	38	31	26	37	31	26	36	30	26	24	