



CRI 90+

COLOR QUALITY 3-Step MacAdam Ellipses

LUMEN OUTPUT up to 950 Lumens

LUMEN PER WATT Up to 64

CCT 27K, 30K, 40K, 50K

OPTIC 45° Cut-Off

WARRANTY 5 Years

**CERTIFICATIONS**

- ETL listed
- RoHS
- IECC
- New York state
- California Title 24
- Washington state
- LM79/LM80

LED

6"  
5"**UNIQUELY ENGINEERED FOR NEW AND EXISTING CONSTRUCTION**

The REL633 is the newest, most efficient, and advanced LED retrofit modules from ELITE Lighting. It's unique design delivers color quality above a 90 CRI rating. The color matching has never been so close, with a binning as low as 3-step MacAdams ellipses. The REL633 LED retrofits meet all new mandatory California Title 24 requirements.

The Elite REL633 LED Module has been engineered for new constructions to meet Title-24's "No Edison Socket" mandate. The Elite REL633 LED system works in our dedicated (LD6IC-AT, LD6RIC-AT, LD5IC-AT, and LD5RIC-AT) housings and our existing 6" Incandescent housings (B6IC-AT, EZ6IC-AT, B26IC-AT, B26RIC-AT, B6RIC-AT) but is also suitable for using in most 6" & 5" Incandescent recessed downlight housings in the market.

INPUT VOLT.	INPUT FREQ.	THD	POWER FACTOR	INPUT POWER	LUMENS
120	50/60Hz	<20%	>0.9	15W(+/-5%)	950

**DURABILITY**

Our die-cast system pulls the heat from the LED chip, allowing the continued cool operation for years. Our LED driver is rated for 50 to 60 Hz at 120V input, and produces less than 20% THD, has a power factor between 0.90 and 1.00 and is thermal protected for additional safety.

**DIMMABLE**

The Elite LED Module is dimmable down to 15% of initial light output with compatible dimmers. Consult factory for complete list of compatible dimming systems.

**OUR WORD**

The Elite LED lighting system carries a five-year carefree warranty for parts and components. (Labor not included.)

**FEATURES**

- Over 950 usable lumens are directed from the luminaire to the work surface
- Greater light output than a 26W CFL or a 65W BR30
- Rated at 90+ CRI to meet California Title-24 strict compliance standards
- Life tested to ensure light output up to 50,000 hours of operation to L70
- Glare reducing cut-off angle of 55 degrees
- High performance optic hides LED chip image but still delivers an even beam of light
- Elite's highly selective LED chips produce zero ultraviolet and virtually no infrared light
- Tested to LM-79 and LM-80 standards
- UL listed for safety

**INSTALLATION**

Ez connector to use with special High efficacy housing or Edison base adapter for retrofitting into existing 5 Incandescent Housings.

Utilizes industry standard V springs, installs in most 5" incandescent down lights.

Insert V springs into can and press trim to ceiling. Friction Blades included as well.

You MUST seal all gaps between the ceiling and fixture with weatherproof silicone sealant. This deters moisture and water from damaging fixtures and other mechanical ceiling elements.

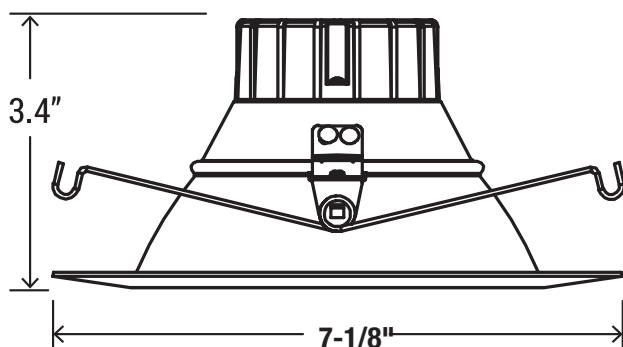


Elite's innovative LED retrofit downlight modules deliver the brightest, most beautiful and most energy efficient ambient lighting to replace any lamp type on your existing fixture.

Example: **REL633-950L-DIMTR-120-30K-90-W-WH**

TYPE	LUMEN SERIES	CCT	CRI	FINISH	OPTION
REL633 (Baffle)	<input type="checkbox"/> 950L-DIMTR-120	<input type="checkbox"/> 27K <input type="checkbox"/> 30K <input type="checkbox"/> 40K <input type="checkbox"/> 50K	<input type="checkbox"/> 90+	<input type="checkbox"/> W-WH	<input type="checkbox"/> GU24SA GU24 SOCKET ADAPTER

### DIMENSION



LED  
6"  
5"

6 INCH ECONOMY LED RETROFIT MODULE

### \*RECOMMENDED DIMMERS FOR ELITE REL633 LED SYSTEM

LUTRON DIMMERS INCANDESCENT		LUTRON CONTROL SYSTEM MAGNETIC LOW VOLTAGE	LUTRON CONTROL SYSTEM DIMTR
Diva DVCL-153P Skylark CTCL-153P Nova N-600 NovaT NT-600 Skylark S-600 Ariadni AY-600P Nova NTLV-600 Nova NLV-600	Maestro MRF2-6ND NovaT NTELV-600 Diva DVELV-300P Skylark SELV-300P Nova NELV-450 Skylark S-1000 Decora 06633-766 Decorra 6674 Toggle Dimmer TGI06-1LW	NovaNLV-600 NovaT NTLV-600 Diva DVLV-600P Leviton Dimmer 6613-PL	Homeworks HW/LP-RPM-4A-120 PHPM-PA Graphic Eye QS Radio RA2 RRD-10ND PHPM-PA ELV1-1000