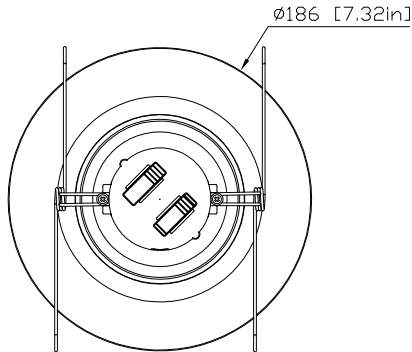
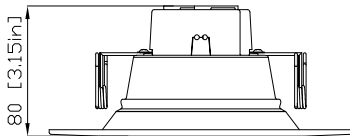


**MULTILUMEN  
SELECTOR**

**EASY 5 COLORS  
SELECCTOR**  
2700K • 3000K • 3500K • 4000K • 5000K



NOMINAL LUMENS	DELIVERED LUMENS	WATTAGE
1200	1198	14W
1000	998	12W
850	851	10W

Based on 4000K, 90+ CRI. Actual wattage may vary +/- 5%



#### INSTALLATION

Elite LED Retrofits come standard with quick connectors ready for installation in Elite Lighting's LD series recessed housing that are Energy Star and Title 24 rated (LD4IC-AT, LD5IC, LD6IC-AT).

#### FEATURES

The Elite RL631 has been engineered for new construction and retrofit applications for 4-inch downlights. An easy 3 lumen and 5-Color SeleCCTor switch allows the contractor to easily switch between 3 lumen outputs and five different color temperatures in the field. The RL631 is compatible with most 6" recessed housing for quick, easy installation in healthcare, hospitality, office, residential, and retail applications.

LUMENS	850L/1000L/1200L
CCT	27K/30K/35K/40K/50K
CRI	90+
COLOR QUALITY	7 Step Rhombus
TRIM	Solid Steel body and trim
REFLECTOR COLORS	W (White)
FLANGE COLORS	WH (White)
DIMMING	DIMTR (Triac)
LIFETIME	50,000 Hours

#### EASY 5-COLOR SELECCTOR SWITCH

Easy 5-Color SeleCCTor switch can be adjusted to a choice of 5 different Kelvin color temperatures in the field. Options include 27K/30K/35K/40K/50K. The SeleCCTor switch is located on the junction box for easy adjustment before and after installation. The SeleCCTor switch is easily accessible by lowering the luminaire from the opening.

**CONSTRUCTION**

Solid Steel body and trim

**OPTICS**

A regressed baffle provides glare-free, comfortable illumination and a 45-degree cutoff.

**COMPATIBLE WITH ELITE 6" HOUSINGS**

The Elite RL631 series works in Elite housings (LD6IC-AT and LD6RIC-AT) and existing Elite 6" incandescent housings (B6IC-AT, EZ6IC-AT, B26ICAT, B26RIC-AT, B6RIC-AT). Also suitable for use in most 6" recessed downlight housings.

**QUICK AND EASY INSTALLATION**

Quick connectors for use with 6" housing or Edison base adapter for retrofitting into existing 6" incandescent housings.

Torsion springs pre-installed onto both sides of fixture, installing easily in most 6" incandescent downlights. Insert torsion springs into can and press trim to ceiling.

**FLEXIBILITY IN DESIGN – MULTIPLE BAFFLE FINISHES AND REFLECTOR FINISHES**

The R631 is available in multiple baffle finishes and reflector finishes: multiple combinations of bronze, copper, white, specular clear, matte black, satin haze, and gold.

**APPLICATIONS**

Damp and wet-location-rated ideal for indoor and outdoor use, shower, and other wet-location applications. IC-Rated and Air Tight and may be installed in direct contact with insulation.

**DRIVER ELECTRICAL INFORMATION**

Driver is rated for 50 to 60HZ @ 120V input, produces less than 20% THD, has a power factor between 90% and 100%, and is thermally protected for additional safety.

**DIMMING & DRIVER INFORMATION**

DIMTR - Triac & electronic low voltage (DIMTR-120) flicker-free dimming. Available in 120V. Dimmable down to 10% of initial lumens, standard.

**WARRANTY**

Five-year warranty for parts and components. (Labor not included)


**LISTINGS**

Energy Star  
cETLus  
Title 24  
JA8E

EXAMPLE: REL631-850L/1000L/1200L-DIMTR-120-27K/30K/35K/40K/50K-90-W-WH

TYPE	LUMEN	CCT	CRI	TRIM COLORS
REL631	850L/1000L/1200L-DIMTR-120	<input type="checkbox"/> 27K/30K/35K/40K/50K	<input type="checkbox"/> 90+	<input type="checkbox"/> W-WH

ACCESSORY: GU24SA

OPTIONS	
	<input type="checkbox"/> GU24SA - SOCKET FOR LED RETROFIT TO GU24

\*Accessories order separate

EXAMPLE: HLD6IC-AT

COMPATIBLE ELITE LIGHTING HOUSINGS			
 <b>IC RATED</b>		 <b>IC RATED</b>	
<input type="checkbox"/> LD6IC	<input type="checkbox"/> LD6-AT	<input type="checkbox"/> LD6RIC-AT	<input type="checkbox"/> LD6R-AT
<input type="checkbox"/> HLD6IC-AT	<input type="checkbox"/> HLD6-AT	<input type="checkbox"/> HLD6RIC-AT	<input type="checkbox"/> HLD6R-AT
<input type="checkbox"/> LD600IC-AT	<input type="checkbox"/> B6-AT	<input type="checkbox"/> EZ6IC-AT	<input type="checkbox"/> B6R-AT
<input type="checkbox"/> EZ6IC-AT		<input type="checkbox"/> B6RIC-AT	
<input type="checkbox"/> B6IC-AT			
<input type="checkbox"/> B6IC-100-AT			
<input type="checkbox"/> B600-IC			

\*Housing order separate