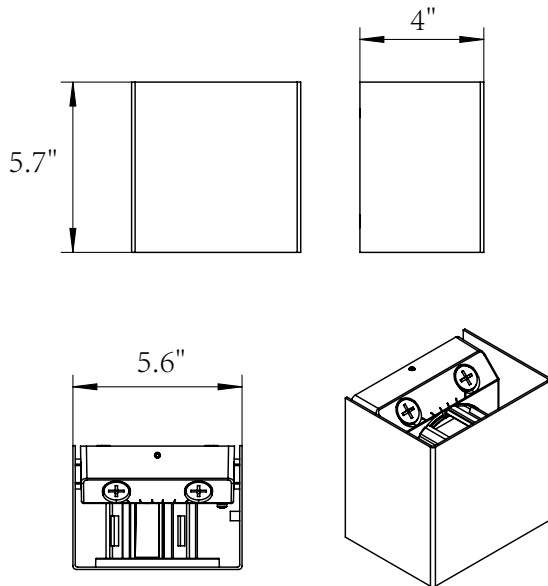


MULTILUMEN
SELECTOR

EASY 3 COLORS
SELECTOR
3000K • 4000K • 5000K



NOMINAL LUMENS	DELIVERED LUMENS	WATTAGE
1500	1500	20 W
1200	1200	16 W
900	900	12 W
600	600	8 W

Based on 4000K, 85+ CRI. Actual wattage may vary +/- 5%

FEATURES

This geometric wall sconce serves as an adaptable alternative to traditional HID fixtures. Durable and versatile, it provides long-lasting, energy-efficient, and controllable up, full, and downlighting. Selectable lumen and CCT packages, as well as adjustable distributions suit a variety of needs.

Dimmable and easy to mount. Ideal for building facade, security, and perimeter lighting, as well as entryway and walkway applications. IP65 and wet location rated.

LUMENS	600L/900L/1200L/1500L
CCT	30K/40K/50K
CRI	80+ Standard
COLOR QUALITY	3-Step MacAdam Ellipse
MOUNTING	Wall Mount
DIMMING	DIM10 - 0-10% Flicker Free 10% Dimming
FINISH	BZ (Bronze), BL (Black), WH (White), RAL Custom Colors
WORKING TEMPERATURE	-40°C to 50°C (-40°F to 122°F)
LIFETIME	L70 at 50,000 Hours
RATING	IP65
DISTRIBUTION	40° (MD), 80° (WD), 100° (VWD)
PHOTOMETRIC TESTS	In accordance with IES LM79-08, LM80 and TM-30, TM-21



OPTICS

Features a glass lens for uniform light diffusion and glare control.

Powered by high output 5050 CREE LEDs for excellent and energy efficient performance and corrosion resistance. Up, down, and full (both up and down) emittance can be switched on and off.

An adjustable beam angle window allows for switching between distributions:

- 40°: Medium (MD)
- 80°: Wide (WD)
- 100° : Very Wide (VWD)

Available with a square, round, or cloud covers. See OPTIONS & ACCESSORIES section for more information.

Three selectable color temperatures of 27K/30K/40K/50K enable different warm to cool moods and atmospheres. A selectable lumen package of 600L/900L/1500L/12000L allows for customizable intensity, for a variety of uses.

CCT factory set to 50K; lumen factory set to 12000L.

Available in black, bronze, and white finishes; consult factory for custom RAL colors.

CONSTRUCTION

Features a durable die-cast aluminum housing and galvanized steel sheet covers, which have been sandblasted for protection against rust. Fully enclosed-and-gasketed construction for IP65-rated protection against water and dirt.

Convenient multi-lumen and CCT switches located beneath left screw-in knockout. Switch for adjusting up, down, or full light (both up and down) located under right screw-in knockout (the clear photocell).

Adjustable distribution window located on luminaire front, behind cover; window rests at 0 when closed, then opens outward and locks at 40°, 80°, and 100°.

Square, round, and cloud covers can be tied to the luminaire using the attached cable and screw mechanism and then slid over the luminaire until the railings inside the cover slot into to railing on the side of the luminaire.

MOUNTING & INSTALLATION

Suitable for wall-mounting at a height of at least four feet from the ground. The housing can be installed directly over a standard junction box—supplied by others—or it can be surface wired using the half-inch threaded conduit entry located on the top.

OPTIONS & ACCESSORIES

Includes a standard ON/OFF integrated Photocell which detects changing light levels and saves energy by turning the fixture off during the day.

Round, square, or cloud covers available; fixture shipped standard with square cover in the same color finish as the luminaire:

OWS-105-LED-UD-SQ-COVER (bronze, black or white).

Round and cloud covers sold separately:

- OWS-105-LED-UD-RD-COVER (bronze, black or white): Round luminaire cover.

- OWS-105-LED-UD-CLD-COVER (bronze, black or white): Cloud luminaire cover.

See order chart for more information.

DRIVER & ELECTRICAL INFORMATION

Powered by high-quality constant-current power LED drivers which are rated for 50 to 60Hz at 120/347V input, produce less than 20% THD, and have a power factor of .90 to 1.00. 4 kv surge protection included.

DIMMING

DIM10 - Flicker Free 10% Dimming Standard (DIM10) 0-10V dimming on either MVOLT 120 or 277V. 120-347v 60Hz operation.

WARRANTY

5-year warranty for parts and components (labor not included).

OPTIONS & ACCESSORIES

ETL listed.
IP65 rated and suitable for outdoor wet location use.
RoHs compliant – Contains no mercury or lead.

Example: **OWS-105-LED-UD-600L/900L/1200L/1500L-DIM10-120-347-30K/40K/50K-IP65-SQ-PHC-BK**

OWS-105-LED-UD					IP65			
SERIES	LUMENS	DIMMING	VOLTAGE	CCT	RATING	COVER	OPTION	FINISH
Wall Mount Wall Pack	600L/900L/1200L/1500L	DIM10 - 0-10V Dimming	MVOLT 347V	30K/40K/50K	IP65	SQ - OWS-105-LED-UD-SQCOVER (Included Standard)	PHC - Photocell (Standard)	BK - Black WH - White BZ - Bronze

COVERS



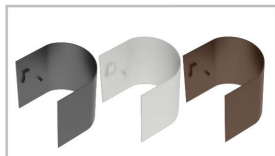
ACCESSORIES

ROUND COVERS

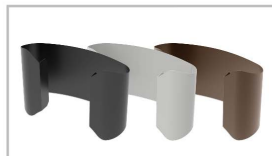
- OWS-105-LED-UD-RD-COVER-BK
- OWS-105-LED-UD-RD-COVER-WH
- OWS-105-LED-UD-RD-COVER-BZ

CLOUD COVERS

- OWS-105-LED-UD-CLD-COVER-BK
- OWS-105-LED-UD-CLD-COVER-WH
- OWS-105-LED-UD-CLD-COVER-BZ



OWS-105-LED-UD-RD-COVER-BK (Black)
OWS-105-LED-UD-RD-COVER-WH (White)
OWS-105-LED-UD-RD-COVER-BZ (Bronze)



OWS-105-LED-UD-CLD-COVER-BK (Black)
OWS-105-LED-UD-CLD-COVER-WH (White)
OWS-105-LED-UD-CLD-COVER-BZ (Bronze)