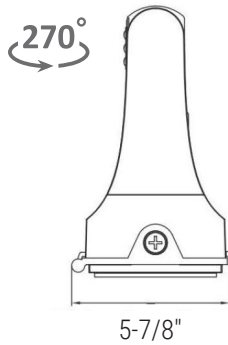
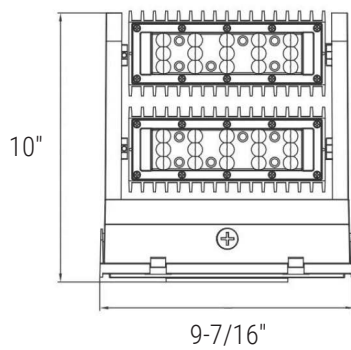




**DIMENSIONS**



NOMINAL LUMENS	DELIVERED LUMENS	WATTAGE
5000	6045	40 W
8000	8700	60 W
11000	11021	80 W

Based on 4000K, 80+ CRI. Actual wattage may vary +/- 5%

**FEATURES**

This medium LED wall pack delivers durable and energy-efficient lighting, offering versatile options to tailor performance for various tasks. It effortlessly attaches to buildings, making it perfect for industrial, educational, multi-family, institutional, and government applications. With the appearance of a traditional MH wall pack, it cuts energy consumption by up to 80% and boasts a lifespan of over 50,000 hours.

LUMENS	5000L/8000L/11000L
CCT	30K/40K/50K
CRI	80+ Standard
LIGHT EFFICIENCY	150 lumens/watt
VOLTAGE	120-277V
POWER FREQUENCY	50/60Hz
DIMMING	DIM10 0-10V
FINISH	White, Black, Bronze
APPLICATION ENVIRONMENT	Wet Location (IP65)
BEAM ANGLE	60°
WORKING TEMPERATURE	Without Motion Sensor: -40°C TO 45°C; With Motion Sensor: -30°C TO 45°C
SURGE PROTECTION	6kv



**APPLICATION**

This adjustable LED die-cast aluminum wall pack provides long lasting, energy efficient lighting with a variety of options to customize fixture performance to the required task. Easily mounts to building and is ideal for industrial, educational, multifamily, institutional, and government applications.

**DRIVER ELECTRICAL INFORMATION**

Powered by high-quality constant-current power LED drivers which are rated for 50 to 60Hz at 120/277V input. Produce less than 20% THD, and have a power factor of .90 to 1.00.

**OPTIC**

No UV or IR in the beam. Light is soft and uniform, safe to eyes. Stripe glass Diffuser.

**MOUNTING**

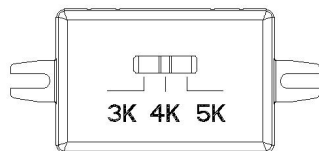
Wall mounted for area light delivering uniform, widespread high output.

**COLOR TEMPERATURE**

Instructions for Adjusting Color Temperature:

1. Set the DIP switch to 3K to change the lamp's color temperature to 3000K.
2. Set the DIP switch to 4K to adjust the color temperature to 4000K.
3. Set the DIP switch to 5K to change the color temperature of the lamp to 5000K.

Note: Ensure to turn off the power before making any adjustments to the color temperature."



**FEATURES**

- Die-cast aluminum
- Lumen output from 2000L/3000L/4000L with efficacy up to 150lm/W
- No UV or IR in the beam.
- Working temperature is: Without Motion Sensor: -40°C TO 45°C; With Motion Sensor: -30°C TO 45°C
- Dimmable 0-10V
- UL/cUL wet location
- DLC Premium

**WARRANTY**

Five-year warranty for parts and components (labor not included).

**LISTING**

cULus Listed  
Wet Location Listed  
For DesignLights Consortium® (DLC) qualified products please visit [www.designlights.org](http://www.designlights.org)

**DIMMING & DRIVER INFORMATION**

DIM10 - Flicker Free Dimming Standard (DIM10) 1-10V dimming on either MVOLT 120, 277V.

**Example:** OWP-217-ADJ-LED-5000L/8000L/11000L-DIM10-MVOLT-30K/40K/50K-BZ

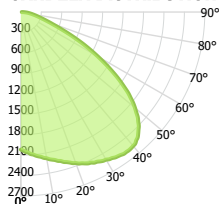
<b>OWP-117-ADJ-LED</b>						
<b>SERIES</b>	<b>LUMENS</b>	<b>DIMMING</b>	<b>VOLTAGE</b>	<b>CCT</b>	<b>FINISH</b>	<b>OPTIONS</b>
OWP-217-ADJ-LED	5000L/8000L/11000L	DIM10 - 0-10V Dimming 120-347V	MVOLT-120-277V	30K/40K/50K	BZ -Bronze	<b>PHC-</b> Photocell <b>EMG-</b> Emergency 0-EMG-8W <b>MS-</b> Motion Sensor <b>PIR-</b> PIR Sensor

**OWP-217-ADJ-LED-5000L-8000L-11000L-DIM10-MVOLT-30K-40K-50K-BZ(5000L)**

TEST NO.: **EL01122440**

INPUT WATTS: **39.6** LUMENS: **6045** EFFICACY: **153** BEAM ANGLE: **98** SPACING CRITERIA: **1.83**

**CANDELA DISTRIBUTION**



**CANDELA TABLE**

	0°	90°
0°	2018	2018
10°	2179	1948
20°	2358	1791
30°	2502	1556
40°	2565	1263
50°	2186	936
60°	1305	630
70°	457	340
80°	163	89
90°	13	2

**LUMINANCE (cd/sq.m)**

0.00°		90.00°	
0°	90°	0°	90°
0.00°	0	0	0
10°	45.00°	0	0
20°	55.00°	0	0
30°	65.00°	0	0
40°	75.00°	0	0
50°	85.00°	0	0

**LUMENS PER ZONE**

ZONE	LUMENS
0° - 10°	192
10° - 20°	556
20° - 30°	869
30° - 40°	1095
40° - 50°	1181
50° - 60°	1032
60° - 70°	672
70° - 80°	313
80° - 90°	82

**ZONAL LUMEN SUMMARY**

ZONE	UMENS	% LUMINAIRE
0° - 20°	748	12%
0° - 30°	1617	27%
0° - 40°	2712	45%
0° - 60°	4925	81%
0° - 80°	5910	98%
0° - 90°	5992	99%

**CONE OF LIGHT**

MOUNTING HEIGHT	FC AT BEAM CENTER	BEAM DIA. 0°-180°	BEAM DIA. 90°-270°
6.0 ft	56.1 fc	15.1 ft	10.9 ft
8.0 ft	31.5 fc	20.1 ft	14.5 ft
10.0 ft	20.2 fc	25.1 ft	18.1 ft
12.0 ft	14.0 fc	30.2 ft	21.7 ft
14.0 ft	10.3 fc	35.2 ft	25.3 ft
16.0 ft	7.9 fc	40.2 ft	28.9 ft
18.0 ft	6.2 fc	45.2 ft	32.6 ft
20.0 ft	5.0 fc	50.3 ft	36.2 ft

**INDOOR COEFFICIENTS OF UTILIZATION**

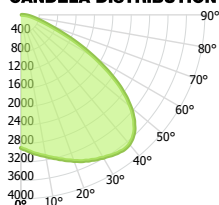
pf	pc	20%																0%				
		80%				70%				50%				30%					10%			
pw	70%	50%	30%	10%	70%	50%	30%	10%	50%	30%	10%	50%	30%	10%	50%	30%	10%	50%	30%	10%	0%	
0	119	119	119	119	116	116	116	116	111	111	111	106	106	106	101	101	101	99	99	99	99	0%
1	109	104	100	97	106	102	98	95	98	95	92	94	91	89	90	88	86	84	84	84	84	0%
2	99	91	85	79	97	89	83	78	86	81	76	82	78	74	79	76	73	70	70	70	70	0%
3	91	80	72	66	88	79	71	65	76	69	64	73	67	63	70	65	62	59	59	59	59	0%
4	83	71	62	56	81	70	62	55	67	60	55	65	59	54	62	57	53	51	51	51	51	0%
5	76	63	55	48	74	62	54	48	60	53	47	58	52	46	56	50	46	44	44	44	44	0%
6	70	57	48	42	68	56	48	42	54	47	41	52	46	41	51	45	40	38	38	38	38	0%
7	65	52	43	37	63	51	42	37	49	42	36	48	41	36	46	40	36	34	34	34	34	0%
8	61	47	39	33	59	46	38	33	45	38	32	44	37	32	42	36	32	30	30	30	30	0%
9	56	43	35	29	55	42	35	29	41	34	29	40	34	29	39	33	29	27	27	27	27	0%
10	53	40	32	26	52	39	32	26	38	31	26	37	31	26	36	30	26	24	24	24	24	0%

**OWP-217-ADJ-LED-5000L-8000L-11000L-DIM10-MVOLT-30K-40K-50K-BZ(8000L)**

TEST NO.: **EL01122440**

INPUT WATTS: **58.9** LUMENS: **8671** EFFICACY: **147** BEAM ANGLE: **98** SPACING CRITERIA: **1.82**

**CANDELA DISTRIBUTION**



**CANDELA TABLE**

	0°	90°
0°	2892	2892
10°	3118	2782
20°	3381	2543
30°	3589	2202
40°	3672	1775
50°	3116	1312
60°	1845	882
70°	641	473
80°	230	122
90°	18	3

**LUMINANCE (cd/sq.m)**

0.00°		90.00°	
0°	90°	0°	90°
0.00°	0	0	0
10°	45.00°	0	0
20°	55.00°	0	0
30°	65.00°	0	0
40°	75.00°	0	0
50°	85.00°	0	0

**LUMENS PER ZONE**

ZONE	LUMENS
0° - 10°	275
10° - 20°	797
20° - 30°	1246
30° - 40°	1570
40° - 50°	1695
50° - 60°	1481
60° - 70°	963
70° - 80°	450
80° - 90°	118

**ZONAL LUMEN SUMMARY**

ZONE	UMENS	% LUMINAIRE
0° - 20°	1073	12%
0° - 30°	2318	27%
0° - 40°	3889	45%
0° - 60°	7065	81%
0° - 80°	8478	98%
0° - 90°	8596	99%

**CONE OF LIGHT**

MOUNTING HEIGHT	FC AT BEAM CENTER	BEAM DIA. 0°-180°	BEAM DIA. 90°-270°
6.0 ft	80.3 fc	15.0 ft	10.9 ft
8.0 ft	45.2 fc	20.0 ft	14.5 ft
10.0 ft	28.9 fc	25.0 ft	18.2 ft
12.0 ft	20.1 fc	30.0 ft	21.8 ft
14.0 ft	14.8 fc	35.0 ft	25.4 ft
16.0 ft	11.3 fc	40.1 ft	29.0 ft
18.0 ft	8.9 fc	45.1 ft	32.7 ft
20.0 ft	7.2 fc	50.1 ft	36.3 ft

**INDOOR COEFFICIENTS OF UTILIZATION**

pf	pc	20%																0%				
		80%				70%				50%				30%					10%			
pw	70%	50%	30%	10%	70%	50%	30%	10%	50%	30%	10%	50%	30%	10%	50%	30%	10%	50%	30%	10%	0%	
0	119	119	119	119	116	116	116	116	111	111	111	106	106	106	101	101	101	99	99	99	99	0%
1	109	104	100	97	106	102	98	95	98	95	92	94	91	89	90	88	86	84	84	84	84	0%
2	99	91	85	79	97	89	83	78	86	81	76	82	78	74	79	76	73	70	70	70	70	0%
3	91	80	72	66	88	79	71	65	76	69	64	73	67	63	70	65	62	59	59	59	59	0%
4	83	71	62	56	81	70	62	55	67	60	55	65	59	54	62	57	53	51	51	51	51	0%
5	76	63	55	48	74	62	54	48	60	53	47	58	52	46	56	50	46	44	44	44	44	0%
6	70	57	48	42	68	56	48	42	54	47	41	52	46	41	51	45	40	38	38	38	38	0%
7	65	52	43	37	63	51	42	37	49	42	36	48	41	36	46	40	36	34	34	34	34	0%
8	61	47	39	33	59	46	38	33	45	38	32	44	37	32	42	36	32	30	30	30	30	0%
9	56	43	35	29	55	42	35	29	41	34	29	40	34	29	39	33	29	27	27	27	27	0%
10	53	40	32	26	52	39	32	26	38	31	26	37	31	26	36	30	26	24	24	24	24	0%

**OWP-217-ADJ-LED-5000L-8000L-11000L-DIM10-MVOLT-30K-40K-50K-BZ(11000L)**

TEST NO.: **EL01122440**

INPUT WATTS: **78.6**

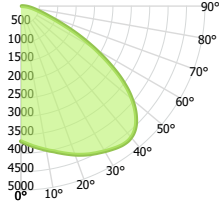
LUMENS: **11021**

EFFICACY: **140**

BEAM ANGLE: **98**

SPACING CRITERIA: **1.82**

**CANDELA DISTRIBUTION**



**CANDELA TABLE**

	0°	90°
0°	3674	3674
10°	3966	3525
20°	4295	3220
30°	4555	2777
40°	4658	2231
50°	3940	1643
60°	2321	1097
70°	801	583
80°	290	144
90°	21	4

**LUMINANCE (cd/sq.m)**

	0.00°	90.00°
0.00°	0	0
10°	45.00°	0
20°	55.00°	0
30°	65.00°	0
40°	75.00°	0
50°	85.00°	0

**LUMENS PER ZONE**

ZONE	LUMENS
0° - 10°	350
10° - 20°	1013
20° - 30°	1583
30° - 40°	1996
40° - 50°	2155
50° - 60°	1882
60° - 70°	1223
70° - 80°	573
80° - 90°	150

**ZONAL LUMEN SUMMARY**

ZONE	UMENS	% LUMINAIRE
0° - 20°	1363	12%
0° - 30°	2946	27%
0° - 40°	4942	45%
0° - 60°	8979	81%
0° - 80°	10775	98%
0° - 90°	10925	99%

**CONE OF LIGHT**

MOUNTING HEIGHT	FC AT BEAM CENTER	BEAM DIA. 0°-180°	BEAM DIA. 90°-270°
6.0 ft	102.1 fc	15.0 ft	10.9 ft
8.0 ft	57.4 fc	20.0 ft	14.6 ft
10.0 ft	36.7 fc	25.0 ft	18.2 ft
12.0 ft	25.5 fc	30.0 ft	21.9 ft
14.0 ft	18.7 fc	35.0 ft	25.5 ft
16.0 ft	14.4 fc	40.0 ft	29.2 ft
18.0 ft	11.3 fc	45.0 ft	32.8 ft
20.0 ft	9.2 fc	50.0 ft	36.5 ft

**INDOOR COEFFICIENTS OF UTILIZATION**

pc	20%																0%				
	80%				70%				50%				30%					10%			
pw	70%	50%	30%	10%	70%	50%	30%	10%	50%	30%	10%	50%	30%	10%	50%	30%	10%	50%	30%	10%	0%
0	119	119	119	119	116	116	116	116	111	111	111	106	106	106	101	101	101	101	101	101	99
1	109	104	100	97	106	102	98	95	98	95	92	94	91	89	90	88	86	86	84	84	84
2	99	91	85	79	97	89	83	78	86	81	76	82	78	74	79	76	73	70	70	70	70
3	91	80	72	66	88	79	71	65	76	69	64	73	67	63	70	65	62	59	59	59	59
4	83	71	62	56	81	70	62	55	67	60	55	65	59	54	62	57	53	51	51	51	51
5	76	63	55	48	74	62	54	48	60	53	47	58	52	46	56	50	46	44	44	44	44
6	70	57	48	42	68	56	48	42	54	47	41	52	46	41	51	45	40	38	38	38	38
7	65	52	43	37	63	51	42	37	49	42	36	48	41	36	46	40	36	34	34	34	34
8	61	47	39	33	59	46	38	33	45	38	32	44	37	32	42	36	32	30	30	30	30
9	56	43	35	29	55	42	35	29	41	34	29	40	34	29	39	33	29	27	27	27	27
10	53	40	32	26	52	39	32	26	38	31	26	37	31	26	36	30	26	24	24	24	24