

ROUND WALL MOUNT MEDALLION HALF-CUTOFF FRAME



APPLICATION

For areas where security and facade lighting is required. Applications include industrial buildings, universities, schools, apartment buildings, institutions, and government buildings. Fixture is ideal for outdoor wall wash applications.

CONSTRUCTION

15" Diameter die-cast aluminum housing and half cutoff top frame, 1/2" coin plugs with O-rings for conduit and photocell, textured powdercoat finish over a chromate conversion coating. The one-piece silicone gasket effectively limits outside contaminants by sealing off the optical chamber.

FINISH - Dark bronze corrosion and UV-resistant polyester powder finish is standard.

REFLECTOR - White aluminum reflector.

LENS - Clear prismatic molded or frost prismatic molded borosilicate glass lens.

INSTALLATION - Cast-in template for mounting directly over a 4" recessed outlet box, or use 1/2" surface conduit.

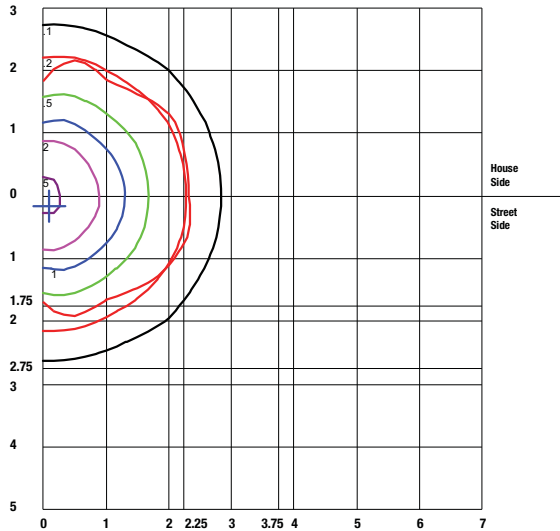
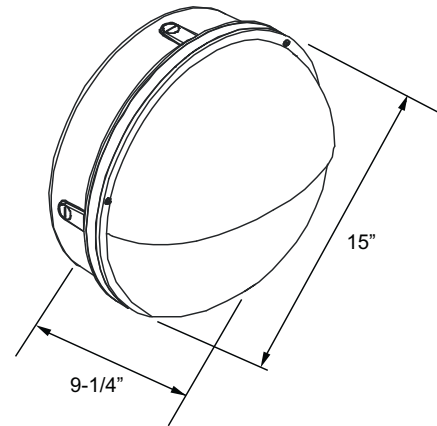
LISTINGS - CSA: Listed for wet locations, wall mount only

WARRANTY - Limited 1 Year Warranty.

All specifications are subject to change without notice



Dimensions:



Distance In Units Of Mounting Height
Values Based On 10 Foot Mounting Height
1/2 Maximum Candela Trace Shown As Dashed Curve
(+) = Maximum Candela Point

Ordering Information: Example: OWM-R-302-2-26-32-42-MVOLT-50K-BZ

| | | | | | | |
|---|---------------------------------------|----------------|---|------------|---|------------------|
| OWM-R-302 | | | | | | |
| SERIES | LAMP TYPE | VOLTAGE | CCT | CRI | FINISH | OPTION |
| OWM-R-302-Oracle Round Wall Mount Medallion Half- Cutoff Frame | CFL 2-26-32-42 - (2x26/32/42W CFL) | MVOLT | 50K - (5000K) * For more CCT option, consult factory | 85 | BZ - Bronze WH - White BK - Black CUS - Custom color, consult factory | PHC - Photo cell |