



**APPLICATION**

For areas where security and facade lighting is required. Applications include industrial buildings, universities, schools, apartment buildings, institutions, and government buildings. Fixture is ideal for outdoor wall wash applications.

**CONSTRUCTION**

15" Diameter die-cast aluminum housing and grid top frame, 1/2" coin plugs with O-rings for conduit and photocell, textured powdercoat finish over a chromate conversion coating. The one-piece silicone gasket effectively limits outside contaminants by sealing off the optical chamber.

**FINISH** - Dark bronze corrosion and UV-resistant polyester powder finish is standard.

**REFLECTOR** - White aluminum reflector.

**LENS** - Clear prismatic molded or frost prismatic molded borosilicate glass lens.

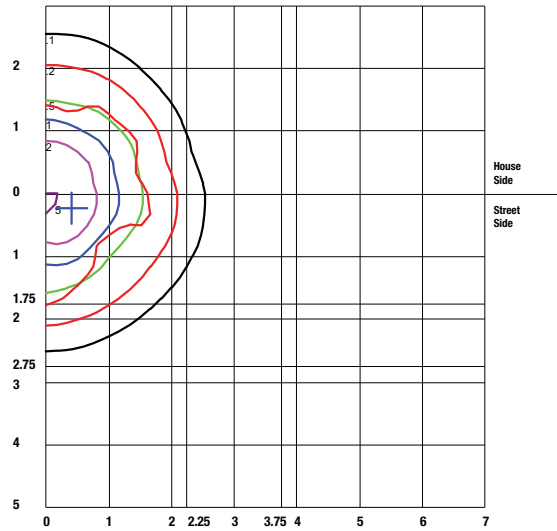
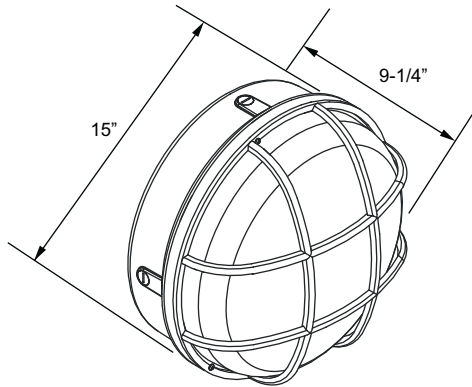
**INSTALLATION** - Cast-in template for mounting directly over a 4" recessed outlet box, or use 1/2" surface conduit.

**LISTINGS** - CSA: Listed for wet locations, wall mount only

**WARRANTY** - Limited 1 Year Warranty.

All specifications are subject to change without notice

**Dimensions:**



Distance In Units Of Mounting Height  
Values Based On 10 Foot Mounting Height  
1/2 Maximum Candela Trace Shown As Dashed Curve  
(+) = Maximum Candela Point

**Ordering Information: Example: OWM-R-301-2-26-32-42-MVOLT-50K-BZ**

<b>OWM-R-301</b>						
<b>SERIES</b>	<b>LAMP TYPE</b>	<b>VOLTAGE</b>	<b>CCT</b>	<b>CRI</b>	<b>FINISH</b>	<b>OPTION</b>
OWM-R-301-Oracle Round Wall Mount Medallion Grid Frame	CFL 2-26-32-42 - (2x26/32/42W CFL)	MVOLT	50K - (5000K) * For more CCT option, consult factory	85	BZ - Bronze WH - White BK - Black CUS - Custom color, consult factory	PHC - Photo cell