

# OWM-R-301-LED

LED Wall Mount Round Medallion

**23 Wattage / 1200 Lumens**

Catalog Number:

Project Name:

Note:

Type:



### APPLICATIONS:

The LED Large Round Medallion series brings the maintenance free energy efficient benefits of LED to the luminaire while maintaining the traditional appearance that has been the standard for housing complexes for decades. Multiple sizes and frame options ensure that you will find the perfect look to complement your building.

### CONSTRUCTION:

Die cast aluminum housing and open front frame, textured powder coat finish over a chromate conversion coating. The one-piece silicone gasket effectively limits outside contaminants by sealing off the optical chamber.

### FINISH:

Dark bronze corrosion- and UV-resistant polyester powder coat finish comes standard.

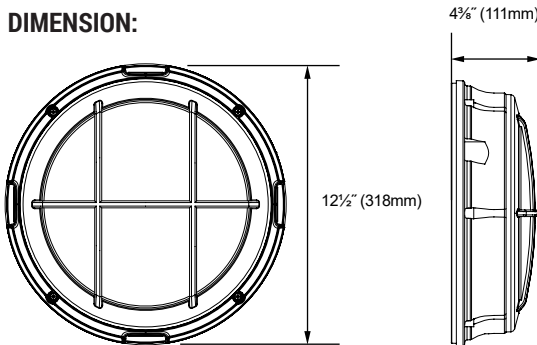
### OPTICS:

High-performance LEDs maintain at least 70% of light output at 50,000 hours of service life.

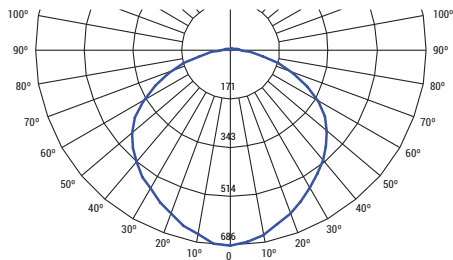
### LENS:

Standard glass lens.

### DIMENSION:



### PHOTOMETRICS:



### SPECIFICATIONS:

<b>LUMENS</b>	1200 lumens
<b>WATTAGE</b>	23W
<b>CCT</b>	50K
<b>CRI</b>	80
<b>VOLTAGE</b>	120-277 VAC
<b>POWER FREQUENCY</b>	50/60 Hz
<b>APPLICABLE ENVIRONMENT</b>	Dry/Damp/Wet location



<b>B</b>	<b>U</b>	<b>G</b>
1	2	1

Ordering Guide > Example: **OWM-R-301-LED-1200L-MVOLT-50K-BZ**

<b>OWM-R-301-LED</b>					
<b>SERIES</b>	<b>LUMENS</b>	<b>VOLTAGE</b>	<b>CCT</b>	<b>FINISH</b>	<b>OPTION</b>
OWM-R-301-LED - Grid Frame Medallion	1200L - 1200 lumens	MVOLT - 120-277V	50K - 5000K	BZ - Bronze WH - White BK - Black	PHC - Photocell