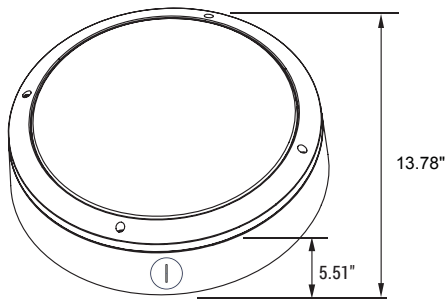


**EASY 3 COLORS**  
**SELECCTOR**  
3000K | 4000K | 5000K



NOMINAL LUMENS	DELIVERED LUMENS	WATTAGE
4000	3542	40 W

Based on 4000K, 85+ CRI. Actual wattage may vary +/- 5%

### FEATURES

The OWM-203 LED Round Medallion series is an open-faced, high-performance wall pack suitable for wet locations. A convenient multi-CCT seleCCTOR switch located on the fixture allows the user to easily switch between 30K/40K/50K in one luminaire. A durable cast aluminum is corrosion-resistant, making the OWM ideal for withstanding tough environments such as parking garages, office complexes, and other outdoor applications. The easy-to-install, easy-to-maintain, high output OWM is perfect for residential and commercial indoor and outdoor applications.

LUMENS	4000
CCT	30K/40K/50K
CRI	70+ Standard
COLOR QUALITY	3 Step MacAdam Ellipse
MOUNTING	Surface
DIMMING	DIM10 ( 0-10 dimming)
FINISH	Black, Bronze, White
WORKING TEMPERATURE	-30C to 50C
LIFETIME	L70 at 30,000 Hours
PHOTOMETRIC TESTS	In Accordance with IES LM79-08, LM80 and TM-30, TM-21

### CONSTRUCTION

Constructed from one-piece, die-cast aluminum housing, featuring an open front frame with a textured powder-coat finish over a chromate conversion coating. Chromate conversion coating provides excellent corrosion resistance and a higher electrical surface resistance. The housing is sealed with a one-piece silicone gasket that protects the optical assembly from outside contaminants. Faceplate is secured to housing by four (4) captive, tamper-resistant, stainless-steel screws.

### MULTI-CCT SELECT – 30K/40K/50K

A convenient multi-CCT SeleCCTOR switch allows the user to switch between 30K, 40K, and 50K to set the perfect ambience at the switch of a button.

### FINISH

Corrosion and UV resistant polyester powder-coat finish comes standard.

**OPTICS**

High-performance LEDs maintain at least 70% of light output at 30,000 hours of service life. LEDs are strategically, evenly spaced on the board, producing uniform, even throws of light.

**LENS**

Standard glass lens.

**OPTIONS**

Photocell - detects changing light levels and saves energy by turning off during the day.

**ELECTRICAL**

Powered by high-quality constant-current power LED drivers which are rated for 50 to 60Hz at 120/277V input. Produce less than 20% THD, and have a power factor of .90 to 1.00.

**DIMMING & DRIVER INFORMATION**

DIM10 - Flicker Free 1% Dimming Standard (DIM10) 0-10V dimming on either MVOLT 120 or 277.

**WARRANTY**

Five-year warranty for parts and components (labor not included).

**LISTING**

cULus Listed for Wet location

Example: **OWM-R-203-LED-4000L-DIM10-MVOLT-30K/40K/50K-BK**

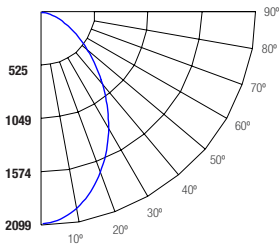
<b>OWM-R-203-LED</b>						
<b>SERIES</b>	<b>LUMENS</b>	<b>DIMMING</b>	<b>VOLTAGE</b>	<b>CCT</b>	<b>FINISH</b>	<b>OPTION</b>
LED Open-Face Wall Mount Round Medallion	4000L - (4000 lumens)	DIM10 - 0-10V Dimming	MVOLT 347V	30K/40K/50K	BK - Black WH - White BZ - Bronze	PHC - Photocell

**OWM-R-203-LED-4000L-DIM10-MVOLT-30K-40K-50K-(40K)**

TEST NO.: **EL05082054**

INPUT WATTS: **40.7** LUMENS: **3542** CRI: **70** EFFICACY: **87** CCT: **4000K** SPACING CRITERIA: **1.10**

**Candle Power Distribution (Candelas)**



**Zonal Lumens Summary**

Zone	Lumens	%Lamp	%Fixt
0-20	721.87	20.8	20.4
0-30	1434.55	41.4	40.5
0-40	2162.55	62.5	61.1
0-60	3195.16	92.3	90.2
0-80	3535.45	102.1	99.8
0-90	3539.42	102.2	99.9

**Luminance (Average candela/M<sup>2</sup>)**

Angle in Degrees	Average		
	0°	45°	90°
45	3638	3595	3705
55	2655	2624	2729
65	1813	1795	1888
75	1173	1132	1134
85	2	3	42

**Lumens Per Zone**

Zone	Lumens
0-10	195.3
10-20	526.56
20-30	712.69
30-40	728
40-50	608.24
50-60	424.38
60-70	241.93
70-80	98.36
80-90	3.96

**Candela Tabulation**

0	
0	2096.51
5	2060.24
15	1849.4
25	1516.46
35	1127
45	751.43
55	444.8
65	223.81
75	88.7
85	0.05
90	4.59

**Coefficients of Utilization - Zonal Cavity Method**  
Effective Floor Cavity Reflectance 0.20

ROOM CAVITY RATIO	RC	80%				70%				50%				30%				10%				0%			
		RW	70%	50%	30%	10%	70%	50%	30%	10%	50%	30%	10%	50%	30%	10%	50%	30%	10%	0%					
0	0	122	122	122	122	119	119	119	119	114	114	114	109	109	109	104	104	104	102						
1	1	114	110	106	103	111	107	104	101	103	101	98	99	97	95	96	94	93	91						
2	2	105	98	93	88	103	96	91	87	93	89	85	90	86	83	87	84	81	79						
3	3	97	88	81	76	95	87	80	75	84	78	74	81	76	73	79	75	71	69						
4	4	90	80	72	66	88	78	71	66	76	70	65	74	68	64	72	67	63	61						
5	5	84	72	64	59	82	71	64	58	69	63	58	67	62	57	66	61	57	55						
6	6	78	66	58	52	76	65	58	52	64	57	52	62	56	51	60	55	51	49						
7	7	73	61	53	47	71	60	52	47	58	52	47	57	51	46	56	50	46	44						
8	8	68	56	48	43	67	55	48	43	54	47	42	53	47	42	52	46	42	40						
9	9	64	52	44	39	63	51	44	39	50	44	39	49	43	39	48	43	39	37						
10	10	61	48	41	36	59	48	41	36	47	40	36	46	40	36	45	39	35	34						

RC - Ceiling Cavity Reflectance

RW - Wall Reflectance