

ROUND WALL MOUNT MEDALLION
HALF-CUTOFF FRAME



APPLICATION

For areas where security and facade lighting is required. Applications include industrial buildings, universities, schools, apartment buildings, institutions, and government buildings. Fixture is ideal for outdoor wall wash applications.

CONSTRUCTION

Die cast aluminum housing and half cutoff front frame, textured powdercoat finish over a chromate conversion coating. The one-piece silicone gasket effectively limits outside contaminants by sealing off the optical chamber.

FINISH - Dark bronze corrosion- and UV-resistant polyester powder finish is standard.

LENS - Standard opal polycarbonate lens.

INSTALLATION - Convenient, easy mount over standard 4" outlet box or use 1/2" surface conduit.

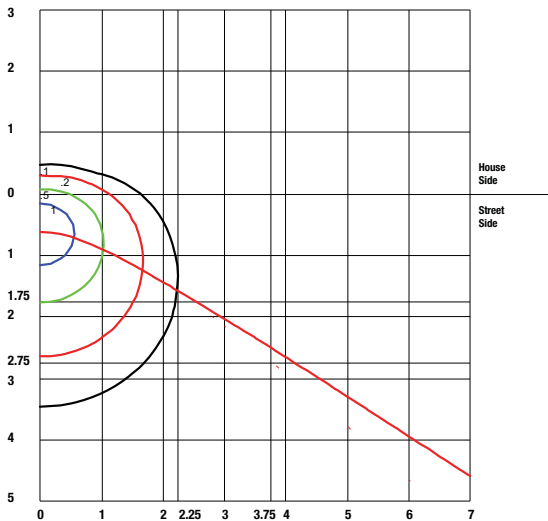
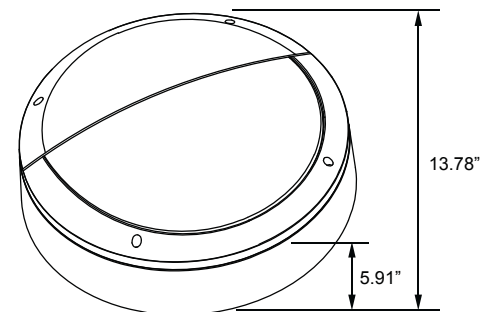
LISTINGS - CSA: Listed for wet locations, wall mount only

WARRANTY - Limited 1 Year Warranty.

All specifications are subject to change without notice



Dimensions:



Distance In Units Of Mounting Height
Values Based On 10 Foot Mounting Height
1/2 Maximum Candela Trace Shown As Dashed Curve
(+) = Maximum Candela Point

Ordering Information: Example: OWM-R-202-2-26-32-42-MVOLT-50K-BZ

OWM-R-202						
SERIES	LAMP TYPE	VOLTAGE	CCT	CRI	FINISH	OPTION
OWM-R-202-Oracle Round Wall Mount Medallion Half-Cutoff Frame	CFL 2-26-32-42 - (2x26/32/42W CFL)	MVOLT	50K - (5000K) * For more CCT option, consult factory	85	BZ - Bronze WH - White BK - Black CUS - Custom color, consult factory	PHC - Photo cell