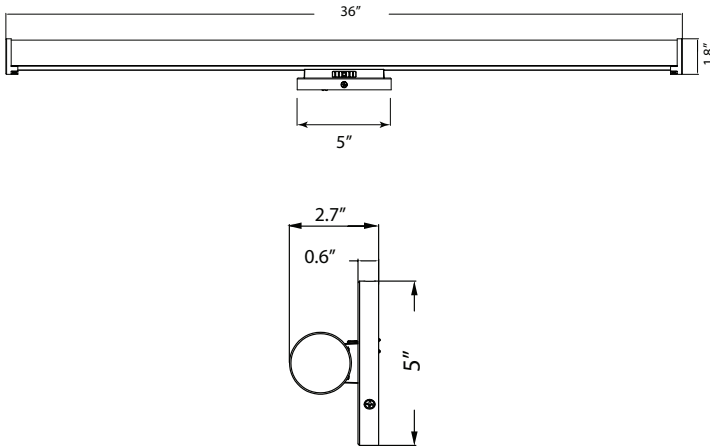




FEATURES

Transform your space with the OVLR-LED CCT Select, a versatile and sleek lighting solution designed for any interior. Effortlessly switch between five color temperatures in the field with our innovative multi-CCT selector switch, ensuring the perfect ambiance for any setting. Enjoy customizable lighting levels with its dimmable feature, making it ideal for both cozy home environments and vibrant commercial spaces. The OVLR-LED CCT Select's streamlined, low-profile design seamlessly blends into any décor, adding a touch of sophistication without overpowering the room. Its high-quality PMMA lens delivers soft, comfortable illumination, making it perfect for residential, commercial, and hospitality applications. Upgrade to the OVLS-LED CCT Select and experience the perfect blend of style, versatility, and performance.



TECHNICAL DETAILS

LUMENS	2200L	BEAM ANGLE	150°
SIZE	36"	VOLTAGE	120V
CCT	2700K/3000K/3500K/4000K/5000K	FINISH	BRUSH NICKEL, CHROME, BLACK
CRI	90+	DIMMING	DIMTR





CONSTRUCTION

The OVL-LED Round Vanity is constructed of an PMMA acrylic diffuser with housings available in brushed nickel, black and chrome finish. The white acrylic diffuser provides even illumination and softens the appearance of the LEDs for improved aesthetics.

OPTICS

Extruded smooth acrylic diffuser is made by highly transmissive diffuser material to minimize LED image and glare with high-angle brightness control.

LED MODULE

The LED board provide a uniform source with high efficiency and no pixilation with 5CCT (2700K/3000K/3500K/4000K/5000K) selectable switch and available in 90 CRI as a standard in accuracy within 3 SDCM color uniformity 90 CRI, R9>50. the LED IS rated to deliver L70 performance at 50,000 hours

DIMMING NOTES

OVL-LED is designed to be compatible with many Phase Triac/Forward Phase controls. The following is a partial list of known compatible dimmer controls.

DRIVER ELECTRICAL INFORMATION

The LED driver is rated for 50 to 60Hz at 120V input, produces less than 20% THD, has a power factor between 90% and 100%, and is thermally protected for additional safety.

DIMMING & DRIVER INFORMATION

DIMTR - Triac & Electronic low voltage dimming. Available in 120V.

LISTING

ETL, Title 24 JA8 Compliant, Damp Location Listed,ADA Compliant

WARRANTY

Five-year warranty for parts and components. (Labor not included)

OVL-LED-36						
SERIES	LUMEN	DIMMING	VOLTAGE	CCT	CRI	FINISH
OVL-LED-36	2200L-2200 Lumens	DIMTR-Triac&ELV	120V	2700K/3000K/3500K/4000K/5000K	90	BN -Brush Nickle BK -Black CH -Chrome

COMPATIBLE DIMMERS

DIMMER	BRAND	DIMMER	BRAND
SCL-153P	Lutron	RH703PTUW	Legrand
MSCL-OP153M	Lutron	MRF2-600M-WH	Lutron
PD-6WCL	Lutron	MRF2S-6ELV120-WH	Lutron
DVRP-253P	Lutron	DSE06-10Z	Leviton
DVCL-253P	Lutron	DVELV-303-P-WH	Lutron
PD-5NE	Lutron	MAELV-600-WH	Lutron
NTCL-250	Lutron	VPE06-1LZ	Leviton