



DOWN LIGHT



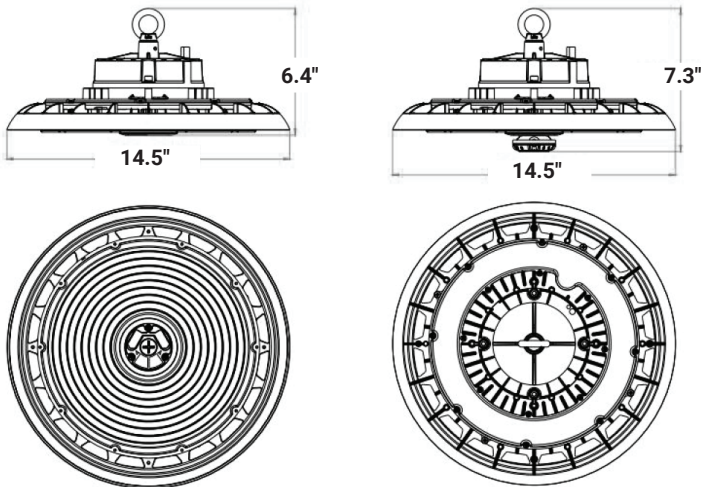
UP LIGHT



EASY 3 COLORS
SELECCTOR
3000K • 4000K • 5000K

Up light/down light distribution selectable

DIMENSIONS



NOMINAL LUMENS	WATTAGE
34000L (Total Lumen)	240W
5000L (Up Light)	18%
29000L (Down Light)	82%

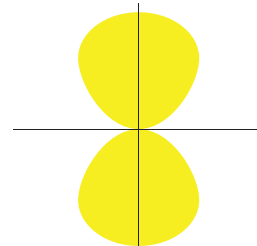
Based on 4000K, 85+ CRI. Actual wattage may vary +/- 5%

FEATURES

This LED UFO high bay features a compact, modern frame and adjustable Up/Down/Full illumination that isn't just ultra bright but allows for an ambient halo of uplight for complete, shadow free, and versatile illumination. Multi-CCT options allow for in-field adjustments to color temperature and light output. Ideal as an energy efficient replacement for conventional fluorescent and HID high bays in manufacturing facilities, gymnasiums, warehouses, and more. IP65 and wet location rated.

LUMENS	34000L (Up: 5000L, Down: 29000L)
CCT	30K/40K/50K
CRI	85+ Standard
COLOR QUALITY	3 Step MacAdam Ellipse
MOUNTING	Suspended, Yoke mount, Pendant, Surface Mount
BEAM ANGLE	WD (90°)
DIMMING	DIM10 - 0-10% Flicker Free 10% Dimming
SIZE:	L: 14.5"
RATING	IP65 Rat
EMERGENCY	EMG-LED-ORHB1-40-BK EMG-LED-ORHB1-40-WH EMG-LED-ORHB1-PC REMOTE CONTROL FOR ORHB1-EMGERGENCY, CAN REMOTE TEST FOR EMERGENCY FUNCTION
FINISH	Black (BK), White (WH)
WORKING TEMPERATURE	-30°C (-22°F) to 50 °C (122°F)
LIFETIME	L70 at 50,000 Hours
PHOTOMETRIC TESTS	In accordance with IES LM79-08, LM80 and TM-30, TM-21

WD-90°
Candlepower Distribution Curve



OPTICS

Features a durable, UV stabilized, .16" thick polycarbonate lens over ultra efficient, ultra bright 2835 LEDs.

Available in single 34000 lumens, with up and down distributions of 5000L at 18% (Up) and 29000L at 82% (Down). Up, down, and full (both up and down) emittance can be switched on and off.

CONSTRUCTION

One-piece, sealed die-cast aluminum housing requires no additional parts. Heat sink included in casting, preventing high bay from overheating during use. Wet location rating serves both indoor and outdoor applications.

Control switches for multi-CCT and Up/Down/Full fully gasketed and located on luminaire face for easy in-field access.

Available in a black or white polyester powder post-paint finish.

INSTALLATION

Included: Hook mount, safety cable, 6-ft. power cord, and 0-10V dimming cord. Conduit pendant also possible with optional accessory: pendant/stem mount bracket with 3/4" hub and j-box. Surge Protection Level: Built-in 6 kV surge protection; class 2 product (shock resistant).

SENSOR AND CONTROL SECTION

- Plug and play low-voltage sensor accessory available
- Sensor installs directly to integral fixture port
 - PIR motion sensor with 0-10V control
 - Wet location and IP65 rated
 - Up to 50ft mounting height
 - Sensor remote control must be ordered separately

OPTIONS & ACCESSORIES

- Available with a 40W emergency battery back-up option (EMG-LEDORHB1-40) in either black or white finishes. Remote control compatible. Remote control (EMG-LED-ORHB1-RC) can remote test for emergency functions. One remote can be used with multiple emergency drivers.

Field installed EM driver wires directly to fixture with 90-minute batteries provide constant power to the LED system. Test switch/indicator button can be tested safely from the ground using remote control.

For more information consult factory

DIMMING

DIM10 - Flicker Free 10% Dimming Standard (DIM10) 0-10V dimming on either MVOLT 120, 277V.

DRIVER & ELECTRICAL INFORMATION

Powered by high-quality constant-current LED drivers which are rated for 50 to 60Hz at 120/277V input, produce less than 20% THD, and have a power factor of .90 to 1.00.

WARRANTY

5-year warranty for parts and components (labor not included).

LISTINGS

- cUL listed.
- DLC Premium listed.
- IP65 rated for wet location use.



Circular High Bay with Up Light

EASY 3 COLORS
SELECTOR
3000K • 4000K • 5000K
3CCT Selectable Switch

Example: **ORHB11-LED-UD-32000L-DIM10-MVOLT-30K/40K/50K-BK**

ORHB11-LED-UD							
SERIES	LUMENS	DIMMING	VOLTAGE	CCT	FINISH	EMERGENCY	SENSOR
ORHB11-LED-UD CIRCULAR HIGH BAY	32000L	DIM10 - 0-10V Dimming	MVOLT 120-277	30K/40K/50K	WH - White BK - Black	EMG-LED-ORHB1-40-BK EMG-LED-ORHB1-40-WH EMG-LED-ORHB1-RC	ORHB5/ORHB6-MS-PIR

ORHB11-LED-UD-32000L-DIM10-MVOLT-30K-40K-50K-BK

TEST NO.: EL12102426

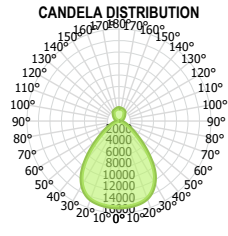
INPUT WATTS: 243.7

LUMENS: 34206

EFFICACY: 140

BEAM ANGLE: 85

SPACING CRITERIA: 1.21



	0°	90°
0°	15015	15015
10°	14895	15254
20°	14318	15155
30°	12374	13970
40°	8447	10240
50°	4212	5305
60°	2003	2463
70°	944	1123
80°	308	362
90°	11	2

	0.00°	90.00°
0.00°	13276	13276
45.00°	7643	9580
55.00°	4466	5559
65.00°	2881	3511
75.00°	2025	2381
85.00°	847	1152

ZONE	LUMENS
0° - 10°	1432
10° - 20°	4174
20° - 30°	6301
30° - 40°	6796
40° - 50°	5021
50° - 60°	2829
60° - 70°	1476
70° - 80°	669
80° - 90°	132

ZONE	LUMENS	% LUMINAIRE
0° - 20°	5606	16%
0° - 30°	11907	35%
0° - 40°	18704	55%
0° - 60°	26554	78%
0° - 80°	28698	84%
60° - 90°	2277	7%
0° - 90°	28830	84%
90° - 180°	5375	16%
0° - 180°	34206	100%

CONE OF LIGHT

MOUNTING HEIGHT	FC AT BEAM CENTER	BEAM DIA. 0°-180°	BEAM DIA. 90°-270°
6.0 m	417.1 lx	10.9 m	11.0 m
8.0 m	234.6 lx	14.6 m	14.7 m
10.0 m	150.2 lx	18.2 m	18.4 m
12.0 m	104.3 lx	21.9 m	22.1 m
14.0 m	76.6 lx	25.5 m	25.8 m
16.0 m	58.7 lx	29.2 m	29.5 m
18.0 m	46.3 lx	32.8 m	33.1 m
20.0 m	37.5 lx	36.5 m	36.8 m

INDOOR COEFFICIENTS OF UTILIZATION

pf	pc	80%																20%				0%						
		70%				50%				30%				10%				0%										
pw		70%	50%	30%	10%	70%	50%	30%	10%	50%	30%	10%	50%	30%	10%	50%	30%	10%	50%	30%	10%	50%	30%	10%	50%	30%	10%	
0	115	115	115	115	111	111	111	111	111	102	102	102	95	95	95	88	88	88	84									
1	107	104	100	97	103	100	97	94	93	91	88	86	85	83	81	79	78	75										
2	99	93	87	83	96	90	85	81	84	80	76	78	75	72	73	71	69	66										
3	92	83	77	71	88	81	75	70	76	71	67	71	67	64	67	64	61	58										
4	85	75	68	62	82	73	66	61	69	63	59	65	60	56	61	57	54	52										
5	79	68	61	55	76	66	59	54	63	57	52	59	54	50	56	52	48	46										
6	74	62	55	49	71	61	53	48	57	51	47	54	49	45	51	47	44	41										
7	69	57	49	44	66	56	48	43	53	47	42	50	45	41	47	43	39	37										
8	64	52	45	40	62	51	44	39	49	42	38	46	41	37	44	39	36	34										
9	60	48	41	36	58	47	40	36	45	39	35	43	38	34	41	36	33	31										
10	57	45	38	33	55	44	37	33	42	36	32	40	35	31	38	34	30	29										