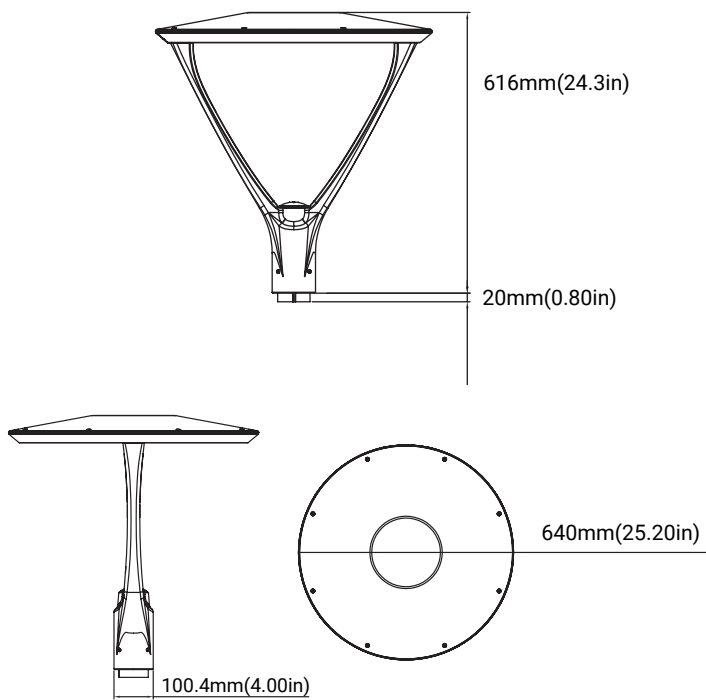




DIMENSIONS



FEATURES

The sculptural design of this outdoor fixture makes it a scalable solution suitable for both natural and urban environments. A bright, uniform distribution, adjustable CCT, lumen, and dimming capabilities promote safety and ambiance. Ideal for bringing optimal light to courtyards, promenades, pathways, and building entrances and perimeters while conforming to Dark Sky and wet location requirements.

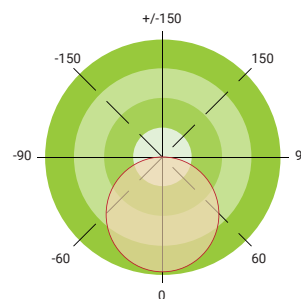
LUMENS	5000L/8000L/11000L/16000L
CCT	30K/40K/50K
CRI	80+ Standard
COLOR QUALITY	3-Step MacAdam Ellipse
MOUNTING	Pole Mount
DIMMING	DIM10 (0-10 Dimming)
FINISH	Dark Bronze (BZ), White (WH), Black (BK), Silver (SI)
WORKING TEMPERATURE	-40°C to 45°C (-40°F - + 113°F)
LIFETIME	L70 at 50,000 Hours
PHOTOMETRIC TESTS	In accordance with IES LM79-08, LM80 and TM-30, TM-21

NOMINAL LUMENS	DELIVERED LUMENS	WATTAGE
15000	9500	65W
10000	5600	38W
8000	3800	26W
5000	5400	45W

Based on 4000K, 85+ CRI. Actual wattage may vary +/- 5%
Selected CCT only available in 15000L/ 130W

PHOTOMETRICS

General Distribution



BUG RATING

B	U	G
2	0	1
3	0	2
3	0	3

*BUG ratings based on lumens from 5000L to 16000L.



OPTICS

A high performance, UV stabilized polymer lens optimizes brightness and light uniformity and minimizes glare while conforming to dark sky requirements. Adjustable color temperature (3000K/4000K/5000K) and lumen allow for customizable illumination to suit different applications and ambiances.

MAINTENANCE

Post installation this luminaire can be serviced from above, by unscrewing and lifting off the top panel. Multi-lumen and CCT switches may also be accessed beneath top panel.

CONSTRUCTION

Features a rugged, die cast aluminum housing sealed completely against moisture and contaminants to suit outdoor applications. Thermally conductive LED panel and electrical channel prevent overheating, optimize performance, and extend life.

Suitable for applications requiring 3G vibration testing prescribed by ANSI C136.31, such as traffic heavy overpasses.

MOUNTING

Suitable for pole mounting, for delivery of a uniform, widespread high output. Ideal for 8 ft to 20 ft mounting height. Available standard as double armed pole top, designed to fit 3" round pole.

Knockout situated between arms can be screwed and unscrewed to secure pole.

OPTIONS & ACCESSORIES

Available factory pre-installed 120-277V photocell option (PHC) detects changing light levels and saves energy by automatically turning fixture off during the day.

Optional PIR Motion Sensor offers motion sensitive high/low/off activation; available for order pre-installed.

Eligible for Buy American Act Certification.

MULTI-LUMEN/MULTI-CCT

Field-selectable multi-lumen and multi-CCT selector switches allow you to conveniently change lumen intensity and CCT in the field. Both multi-lumen and multi-CCT switches can be accessed from above, when top panel is lifted.

DRIVER ELECTRICAL INFORMATION

Powered by high-quality constant-current LED drivers which are rated for 50 to 60Hz at 120/277v input. Dual drivers, which both produce less than 20% THD, and have a power factor of .90 to 1.00.

WARRANTY

5-year warranty for parts and components (labor not included).

DRIVER ELECTRICAL INFORMATION

c-UL-us listed for feed through wiring.
UL listed for wet location.
Listed for DLC Premium.
Conforms to Dark Sky Requirements.
Assembled in America- Qualifies for BAA certification.

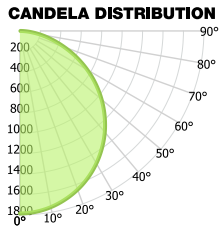
Example: **OPL-101-LED-5000L/8000L/11000L/16000L-DIM10-MVOLT-30K/40K/50K-GD-BZ**

SERIES	LUMENS	DIMMING		CCT	DISTRIBUTION	FINISH	OPTION
OPL-101-LED	5000L/8000L/11000L/16000L	DIM10 - 0-10V Dimming	MVOLT	30K/40K/50K	GD - General Distribution	WH - White BK - Black BZ - Bronze SI - Silver	PHC - Photocell FSP-311 - PIR Motion Sensor USA - (BAA) Buy American Act Certification

OPL-101-LED-5000L-8000L-10000L-15000L-DIM10-MVOLT-30K-40K-50K-GD-BZ(5000L)

TEST NO.: **EL08212339**

INPUT WATTS: **39.4** LUMENS: **5137** EFFICACY: **130** BEAM ANGLE: **112** SPACING CRITERIA: **1.24**



CANDELA TABLE

	0°	90°
0°	1786	1786
10°	1750	1742
20°	1651	1642
30°	1496	1486
40°	1292	1280
50°	1043	1035
60°	762	754
70°	463	449
80°	200	183
90°	5	6

LUMINANCE (cd/sq.m)

	0.00°	90.00°
0.00°	6120	6120
45.00°	5676	5631
55.00°	5409	5367
65.00°	4965	4881
75.00°	4266	4023
85.00°	3502	3233

LUMENS PER ZONE

ZONE	LUMENS
0° - 10°	179
10° - 20°	483
20° - 30°	732
30° - 40°	883
40° - 50°	917
50° - 60°	827
60° - 70°	627
70° - 80°	363
80° - 90°	121

ZONAL LUMEN SUMMARY

ZONE	UMENS	% LUMINAIRE
0° - 20°	662	13%
0° - 30°	1394	27%
0° - 40°	2277	44%
0° - 60°	4022	78%
0° - 80°	5011	98%
0° - 90°	5132	100%

CONE OF LIGHT

MOUNTING HEIGHT	FC AT BEAM CENTER	BEAM DIA. 0°-180°	BEAM DIA. 90°-270°
6.0 ft	49.6 fc	17.9 ft	17.9 ft
8.0 ft	27.9 fc	23.9 ft	23.9 ft
10.0 ft	17.9 fc	29.9 ft	29.8 ft
12.0 ft	12.4 fc	35.9 ft	35.8 ft
14.0 ft	9.1 fc	41.9 ft	41.8 ft
16.0 ft	7.0 fc	47.9 ft	47.7 ft
18.0 ft	5.5 fc	53.8 ft	53.7 ft
20.0 ft	4.5 fc	59.8 ft	59.7 ft

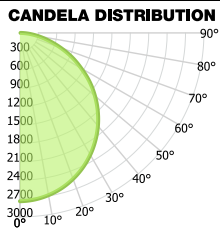
INDOOR COEFFICIENTS OF UTILIZATION

pf	20%																0%		
	pc	80%				70%				50%				30%				10%	0%
	pw	70%	50%	30%	10%	70%	50%	30%	10%	50%	30%	10%	50%	30%	10%	50%	30%	10%	0%
0	119	119	119	119	119	116	116	116	116	111	111	111	106	106	106	102	102	102	100
1	109	104	99	95	106	101	97	94	97	94	91	93	90	88	89	87	85	83	
2	99	90	83	77	96	88	82	77	85	79	75	81	77	73	78	75	71	69	
3	90	79	71	64	87	78	70	64	75	68	63	72	66	61	69	64	60	58	
4	82	70	61	54	80	69	60	54	66	59	53	64	58	53	62	56	52	50	
5	76	63	54	47	73	61	53	47	59	52	46	57	51	45	55	50	45	43	
6	70	56	47	41	68	55	47	41	54	46	40	52	45	40	50	44	40	37	
7	65	51	42	36	63	50	42	36	49	41	36	47	40	35	46	40	35	33	
8	60	47	38	32	59	46	38	32	45	37	32	43	37	32	42	36	31	30	
9	56	43	35	29	55	42	34	29	41	34	29	40	33	29	39	33	28	27	
10	53	39	32	26	51	39	31	26	38	31	26	37	31	26	36	30	26	24	

OPL-101-LED-5000L-8000L-10000L-15000L-DIM10-MVOLT-30K-40K-50K-GD-BZ(8000L)

TEST NO.: **EL08212339**

INPUT WATTS: **63.5** LUMENS: **7912** EFFICACY: **125** BEAM ANGLE: **113** SPACING CRITERIA: **1.24 x 1.24**



CANDELA TABLE

	0°	90°
0°	2744	2744
10°	2686	2677
20°	2533	2524
30°	2294	2289
40°	1979	1973
50°	1596	1593
60°	1155	1163
70°	705	709
80°	303	291
90°	10	25

LUMINANCE (cd/sq.m)

	0.00°	90.00°
0.00°	9403	9403
45.00°	8696	8673
55.00°	8278	8262
65.00°	7581	7588
75.00°	6472	6446
85.00°	5436	5882

LUMENS PER ZONE

ZONE	LUMENS
0° - 10°	275
10° - 20°	742
20° - 30°	1126
30° - 40°	1359
40° - 50°	1411
50° - 60°	1273
60° - 70°	967
70° - 80°	562
80° - 90°	189

ZONAL LUMEN SUMMARY

ZONE	UMENS	% LUMINAIRE
0° - 20°	1017	13%
0° - 30°	2142	27%
0° - 40°	3501	44%
0° - 60°	6186	78%
0° - 80°	7715	98%
0° - 90°	7904	100%

CONE OF LIGHT

MOUNTING HEIGHT	FC AT BEAM CENTER	BEAM DIA. 0°-180°	BEAM DIA. 90°-270°
6.0 ft	76.2 fc	18.0 ft	18.0 ft
8.0 ft	42.9 fc	24.0 ft	23.9 ft
10.0 ft	27.4 fc	30.0 ft	29.9 ft
12.0 ft	19.1 fc	36.0 ft	35.9 ft
14.0 ft	14.0 fc	42.0 ft	41.9 ft
16.0 ft	10.7 fc	48.0 ft	47.9 ft
18.0 ft	8.5 fc	54.0 ft	53.9 ft
20.0 ft	6.9 fc	60.0 ft	59.9 ft

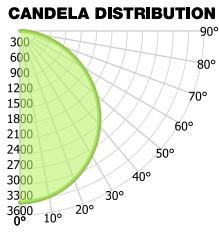
INDOOR COEFFICIENTS OF UTILIZATION

pf	20%																0%		
	pc	80%				70%				50%				30%				10%	0%
	pw	70%	50%	30%	10%	70%	50%	30%	10%	50%	30%	10%	50%	30%	10%	50%	30%	10%	0%
0	119	119	119	119	119	116	116	116	116	111	111	111	106	106	106	102	102	102	100
1	108	104	99	95	106	101	97	94	97	94	91	93	90	88	89	87	85	83	
2	99	90	83	77	96	88	82	76	85	79	75	81	77	73	78	75	71	69	
3	90	79	71	64	87	77	70	64	74	68	62	72	66	61	69	64	60	58	
4	82	70	61	54	80	69	60	54	66	59	53	64	58	52	62	56	52	50	
5	76	63	53	47	73	61	53	46	59	52	46	57	51	45	55	50	45	43	
6	70	56	47	41	68	55	47	41	54	46	40	52	45	40	50	44	39	37	
7	65	51	42	36	63	50	42	36	49	41	36	47	40	35	46	40	35	33	
8	60	47	38	32	59	46	38	32	45	37	32	43	37	32	42	36	31	29	
9	56	43	34	29	55	42	34	29	41	34	29	40	33	28	39	33	28	26	
10	53	39	31	26	51	39	31	26	38	31	26	37	30	26	36	30	26	24	

OPL-101-LED-5000L-8000L-10000L-15000L-DIM10-MVOLT-30K-40K-50K-GD-BZ(10000L)

TEST NO.: **EL08212339**

INPUT WATTS: **80.8** LUMENS: **9685** EFFICACY: **120** BEAM ANGLE: **112** SPACING CRITERIA: **1.24**



CANDELA TABLE	
0°	90°
0°	3360 3360
10°	3288 3271
20°	3098 3083
30°	2802 2789
40°	2414 2408
50°	1944 1944
60°	1414 1419
70°	855 865
80°	366 364
90°	7 31

LUMINANCE (cd/sq.m)		
0.00°	90.00°	
0.00°	11514	11514
45.00°	10605	10586
55.00°	10068	10081
65.00°	9204	9259
75.00°	7830	7983
85.00°	6641	7145

LUMENS PER ZONE	
ZONE	LUMENS
0° - 10°	337
10° - 20°	908
20° - 30°	1377
30° - 40°	1662
40° - 50°	1726
50° - 60°	1559
60° - 70°	1184
70° - 80°	691
80° - 90°	233

ZONAL LUMEN SUMMARY		
ZONE	UMENS	% LUMINAIRE
0° - 20°	1245	13%
0° - 30°	2621	27%
0° - 40°	4283	44%
0° - 60°	7567	78%
0° - 80°	9442	97%
0° - 90°	9675	100%

CONE OF LIGHT

MOUNTING HEIGHT	FC AT BEAM CENTER	BEAM DIA. 0°-180°	BEAM DIA. 90°-270°
6.0 ft	93.3 fc	18.0 ft	17.9 ft
8.0 ft	52.5 fc	24.0 ft	23.9 ft
10.0 ft	33.6 fc	30.0 ft	29.8 ft
12.0 ft	23.3 fc	36.0 ft	35.8 ft
14.0 ft	17.1 fc	42.0 ft	41.8 ft
16.0 ft	13.1 fc	48.0 ft	47.7 ft
18.0 ft	10.4 fc	53.9 ft	53.7 ft
20.0 ft	8.4 fc	59.9 ft	59.7 ft

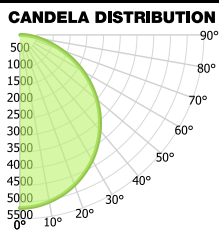
INDOOR COEFFICIENTS OF UTILIZATION

pf	pc	20%																0%	
		80%				70%				50%				30%					
		70%	50%	30%	10%	70%	50%	30%	10%	50%	30%	10%	50%	30%	10%	50%	30%	10%	0%
0	119	119	119	119	119	116	116	116	116	111	111	111	106	106	106	102	102	102	100
1	108	104	99	95	106	101	97	94	97	94	91	93	90	88	89	87	85	83	
2	99	90	83	77	96	88	82	76	85	79	75	81	77	73	78	75	71	69	
3	90	79	71	64	87	77	70	64	74	68	62	72	66	61	69	64	60	58	
4	82	70	61	54	80	69	60	54	66	59	53	64	57	52	62	56	52	49	
5	76	63	53	47	73	61	53	46	59	52	46	57	51	45	55	50	45	43	
6	70	56	47	41	68	55	47	41	53	46	40	52	45	40	50	44	39	37	
7	65	51	42	36	63	50	42	36	49	41	36	47	40	35	46	40	35	33	
8	60	47	38	32	59	46	38	32	45	37	32	43	37	32	42	36	31	29	
9	56	43	34	29	55	42	34	29	41	34	29	40	33	28	39	33	28	26	
10	53	39	31	26	51	39	31	26	38	31	26	37	30	26	36	30	26	24	

OPL-101-LED-5000L-8000L-10000L-15000L-DIM10-MVOLT-30K-40K-50K-GD-BZ(15000L)

TEST NO.: **EL08212339**

INPUT WATTS: **136.9** LUMENS: **14934** EFFICACY: **109** BEAM ANGLE: **112** SPACING CRITERIA: **1.24 x 1.24**



CANDELA TABLE	
0°	90°
0°	5174 5174
10°	5060 5081
20°	4768 4784
30°	4316 4332
40°	3713 3734
50°	2994 3020
60°	2175 2215
70°	1315 1355
80°	564 595
90°	13 65

LUMINANCE (cd/sq.m)		
0.00°	90.00°	
0.00°	17727	17727
45.00°	16315	16432
55.00°	15488	15667
65.00°	14152	14475
75.00°	12063	12550
85.00°	10329	11941

LUMENS PER ZONE	
ZONE	LUMENS
0° - 10°	519
10° - 20°	1399
20° - 30°	2122
30° - 40°	2561
40° - 50°	2658
50° - 60°	2400
60° - 70°	1826
70° - 80°	1069
80° - 90°	364

ZONAL LUMEN SUMMARY		
ZONE	UMENS	% LUMINAIRE
0° - 20°	1918	13%
0° - 30°	4040	27%
0° - 40°	6602	44%
0° - 60°	11660	78%
0° - 80°	14554	97%
0° - 90°	14919	100%

CONE OF LIGHT

MOUNTING HEIGHT	FC AT BEAM CENTER	BEAM DIA. 0°-180°	BEAM DIA. 90°-270°
6.0 ft	143.7 fc	18.0 ft	18.0 ft
8.0 ft	80.8 fc	24.0 ft	24.0 ft
10.0 ft	51.7 fc	30.0 ft	30.0 ft
12.0 ft	35.9 fc	36.0 ft	36.1 ft
14.0 ft	26.4 fc	42.0 ft	42.1 ft
16.0 ft	20.2 fc	47.9 ft	48.1 ft
18.0 ft	16.0 fc	53.9 ft	54.1 ft
20.0 ft	12.9 fc	59.9 ft	60.1 ft

INDOOR COEFFICIENTS OF UTILIZATION

pf	pc	20%																0%	
		80%				70%				50%				30%					
		70%	50%	30%	10%	70%	50%	30%	10%	50%	30%	10%	50%	30%	10%	50%	30%	10%	0%
0	119	119	119	119	119	116	116	116	116	111	111	111	106	106	106	102	102	102	100
1	108	104	99	95	106	101	97	94	97	94	91	93	90	88	89	87	85	83	
2	99	90	83	77	96	88	82	76	85	79	75	81	77	73	78	75	71	69	
3	90	79	71	64	87	77	70	64	74	68	62	72	66	61	69	64	60	58	
4	82	70	61	54	80	69	60	54	66	59	53	64	57	52	62	56	52	49	
5	76	63	53	47	73	61	53	46	59	52	46	57	51	45	55	50	45	43	
6	70	56	47	41	68	55	47	41	53	46	40	52	45	40	50	44	39	37	
7	65	51	42	36	63	50	42	36	49	41	36	47	40	35	46	40	35	33	
8	60	47	38	32	59	46	38	32	45	37	32	43	37	32	42	36	31	29	
9	56	43	34	29	55	42	34	29	41	34	29	40	33	28	39	33	28	26	
10	53	39	31	26	51	39	31	26	38	31	26	37	30	26	36	30	26	24	