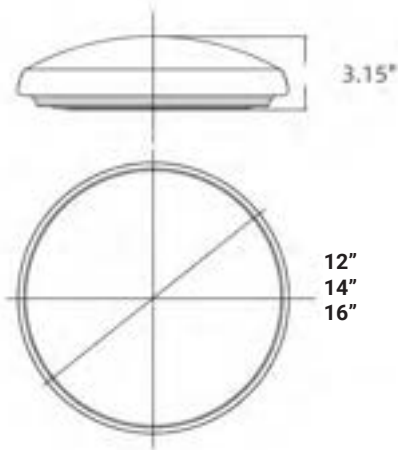




EASY 5 COLORS
SELECCTOR
27K | 30K | 35K | 40K | 50K



SIZE	NOMINAL LUMENS	WATTAGE
16"	2000	24W
14"	1500	18W
12"	1200	14W

Based on 4000K, 85+ CRI. Actual wattage may vary +/- 5%

FEATURES

The OMS is a low-profile, dimmable surface mount LED mushroom fixture; the perfect solution for upgrading incandescent surface mount luminaires in closets, hallways, corridors, bedrooms, offices, and more. Frosted acrylic diffuser provides ample, consistent illumination for spaces requiring low-maintenance, high-output lighting with an attractive appearance, including residential, hospitality, educational, and healthcare applications.

LUMENS	12" - 1200L 14" - 1500L 16" - 2000L
CCT	27K/30K/35K/40K/50K
CRI	90+
COLOR QUALITY	3 Step MacAdam Ellipse
SIZE	12", 14", 16"
MOUNTING	Surface Mount
DIMMING & CONTROL	0-10V Flicker Free 5% Dimming Standard (DIM10), DIMTR DIM10/ DIMTR
LIFETIME	L70 at 50,000 Hours
PHOTOMETRIC TESTS	In Accordance with IES LM79-08, LM80 and TM-30, TM-21



OPTICS

Frosted, UV-stabilized white acrylic diffuser for low-glare, uniform illumination. Diffuser design and high lumen output provides a fully luminous appearance.

CONSTRUCTION

Heavy-gauge metal housing; frosted acrylic white diffuser.

INSTALLATION

Luminaire easily mounts directly over a 4" recessed outlet box, and most standard junction boxes. Suitable for damp locations including laundry rooms, utility rooms, basements, and other environments exposed to moisture.

DRIVER ELECTRICAL INFORMATION

Powered by high-quality constant-current power LED drivers which are rated for 50 to 60Hz at 120 or 120-277V input, produce less than 20% THD, and have a power factor of .90 to 1.00.

DIMMING & DRIVER INFORMATION

DIM10 - Flicker Free 5% Dimming Standard (DIM10) 0-10V dimming on either MVOLT 120 or 277V(Consult Factory).

WARRANTY

Five-year warranty for parts and components (labor not included).

LISTINGS

ETL listed for damp locations
Energy Star
Title 24
JA8

Example: **OMS-LED-12-1200L-DIMTR-120-27K/30K/35K/40K/50K**

SERIES	TYPE	FIXTURE SIZE	LUMENS	DIMMING	VOLTAGE	CCT	CRI	OPTION
OMS - LED Surface Mount Mushroom	LED	12 - 12" 14 - 14" 16 - 16"	12" FIXTURE 1200L- 1200 lumens 14" FIXTURE 1500L- 2000 lumens 16" FIXTURE 2000L- 2000 lumens	DIM10 - 0-10V Dimming DIMTR - Triac Dimming DIM10/ DIMTR - Triac & 0-10V Dimming	MVOLT 120 277* <i>*Consult Factory</i>	27K/30K/35K/40K/50K	90	USA - Made in America Compliance
				DIMTR/120-DIM10/MVOLT Triac + 0-10V Dimming				

OMS-LED-16-2000L-DIMTR-120-27K-30K-35K-40K-50K-90

TEST NO.: EL07162043

INPUT WATTS: **24**

LUMENS: **2495**

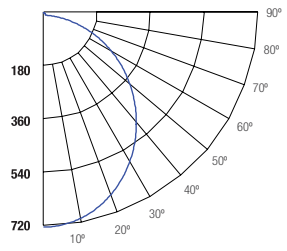
CRI: **90**

EFFICACY: **104**

CCT: **2700K**

SPACING CRITERIA: **1.42**

Candle Power Distribution (Candelas)



Cone of Light			
2	247	5.9	5.9
4	65.6	11.4	11.5
6	28.6	17.2	17.5
8	15.9	23.1	23.4
10	10.4	28.6	29.0
12	7.14	34.5	34.9

BEAM DIA. MEASURED AT 50% OF NADIR F.C.

Zonal Lumens Summary

Zone	Lumens	%Lamp	%Fixt
0-20	262.47	10.5	10.5
0-30	561.3	22.5	22.5
0-40	928.64	37.2	37.2
0-60	1689.46	67.7	67.7
0-80	2198.15	88.1	88.1
0-90	2314.38	92.8	92.8

Luminance (Average candela/M²)

Angle in Degrees	Average		
	0°	45°	90°
45	6937	6921	6855
55	6982	6956	6868
65	7047	7002	6879
75	7393	7290	7193
85	11839	11505	11548

Lumens Per Zone

Zone	Lumens
0-10	67.65
10-20	194.81
20-30	298.83
30-40	367.34
40-50	391.89
50-60	368.93
60-70	301.83
70-80	206.87
80-90	116.22

Candela Tabulation

Q	
0	714.407
5	714.2
15	694.67
25	654.23
35	594.73
45	515.91
55	421.17
65	313.23
75	201.24
85	108.52
90	75.2

Coefficients of Utilization - Zonal Cavity Method

Effective Floor Cavity Reflectance 0.20

ROOM CAVITY RATIO	RC	80%				70%				50%				30%				10%				0%			
		RW	70%	50%	30%	10%	70%	50%	30%	10%	50%	30%	10%	50%	30%	10%	50%	30%	10%	50%	30%	10%	0%		
0		117	117	117	117	114	114	114	114	107	107	107	101	101	101	95	95	95	95	93	93	93	93		
1		106	100	95	91	102	97	93	89	91	88	85	86	83	81	82	79	77	77	74	74	74	74		
2		95	86	79	73	92	84	77	71	79	73	69	75	70	66	71	67	63	63	61	61	61	61		
3		87	75	67	60	83	73	65	59	69	62	57	65	60	55	62	57	53	53	51	51	51	51		
4		79	66	57	50	76	65	56	50	61	54	48	58	52	47	55	50	45	43	43	43	43	43		
5		73	59	50	43	70	58	49	42	55	47	41	52	45	40	49	44	39	37	37	37	37	37		
6		67	53	44	37	64	52	43	37	49	42	36	47	40	35	45	39	34	32	32	32	32	32		
7		62	48	39	33	60	47	38	32	45	37	32	43	36	31	41	35	30	28	28	28	28	28		
8		58	44	35	29	56	43	34	29	41	33	28	39	32	28	37	31	27	25	25	25	25	25		
9		54	40	32	26	52	39	31	26	37	30	25	36	29	25	34	29	24	22	22	22	22	22		
10		50	37	29	24	49	36	28	23	35	28	23	33	27	22	32	26	22	20	20	20	20	20		

RC - Ceiling Cavity Reflectance

RW - Wall Reflectance

OMS-LED-12-1200L-DIMTR-120-27K-30K-35K-40K-50K-90

TEST NO.: EL07162043

INPUT WATTS: **13.8**

LUMENS: **1330**

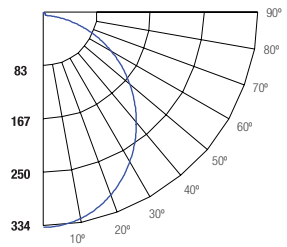
CRI: **90**

EFFICACY: **96**

CCT: **2700K**

SPACING CRITERIA: **1.42**

Candle Power Distribution (Candelas)



Cone of Light			
2	247	5.9	5.9
4	65.6	11.4	11.5
6	28.6	17.2	17.5
8	15.9	23.1	23.4
10	10.4	28.6	29.0
12	7.14	34.5	34.9

BEAM DIA. MEASURED AT 50% OF NADIR F.C.

Zonal Lumens Summary

Zone	Lumens	%Lamp	%Fixt
0-20	122.38	9.2	9.2
0-30	262.55	19.7	19.7
0-40	436.35	32.8	32.8
0-60	804.37	60.5	60.5
0-80	1074.37	80.8	80.8
0-90	1153.44	86.8	86.7

Luminance (Average candela/M²)

Angle in Degrees	Average		
	0°	45°	90°
45	4924	4920	4791
55	5114	5116	4924
65	5459	5454	5178
75	6435	6436	6011
85	12691	12702	11644

Lumens Per Zone

Zone	Lumens
0-10	31.49
10-20	90.89
20-30	140.17
30-40	173.79
40-50	187.72
50-60	180.3
60-70	153.75
70-80	116.24
80-90	79.07

Candela Tabulation

Q	
0	332.388
5	333.15
15	326.25
25	310.54
35	286.57
45	254.3
55	214.24
65	168.49
75	121.63
85	80.78
90	64.18

Coefficients of Utilization - Zonal Cavity Method

Effective Floor Cavity Reflectance 0.20

ROOM CAVITY RATIO	RC	80%				70%				50%				30%				10%				0%			
		RW	70%	50%	30%	10%	70%	50%	30%	10%	50%	30%	10%	50%	30%	10%	50%	30%	10%	50%	30%	10%	0%		
0		116	116	116	116	112	112	112	112	104	104	104	97	97	97	90	90	90	90	87	87	87	87		
1		104	98	93	88	99	94	90	86	87	84	80	81	78	76	76	73	71	71	68	68	68	68		
2		93	84	77	70	89	81	74	68	75	70	65	70	65	61	65	61	58	55	55	55	55	55		
3		85	73	64	57	81	71	62	56	66	59	53	61	55	51	57	52	48	45	45	45	45	45		
4		77	64	55	48	74	62	54	47	58	51	45	54	48	43	50	45	41	38	38	38	38	38		
5		71	57	48	41	68	55	47	40	52	44	38	48	42	37	45	40	35	33	33	33	33	33		
6		65	51	42	35	62	50	41	35	46	39	33	43	37	32	41	35	31	28	28	28	28	28		
7		60	46	37	31	58	45	36	30	42	35	29	40	33	28	37	31	27	25	25	25	25	25		
8		56	42	33	27	54	41	33	27	38	31	26	36	30	25	34	28	24	22	22	22	22	22		
9		52	39	30	25	50	37	30	24	35	28	23	33	27	22	31	26	22	20	20	20	20	20		
10		49	35	27	22	47	34	27	22	33	26	21	31	25	20	29	24	20	18	18	18	18	18		

RC - Ceiling Cavity Reflectance

RW - Wall Reflectance