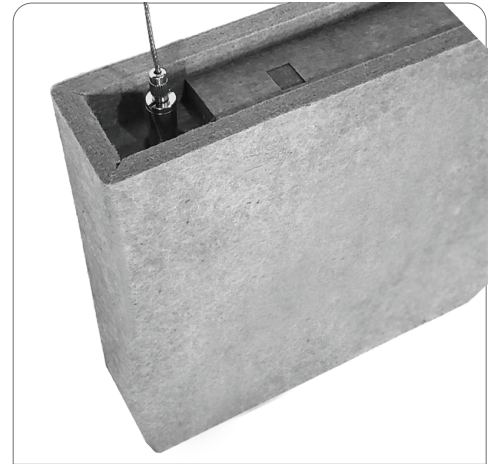
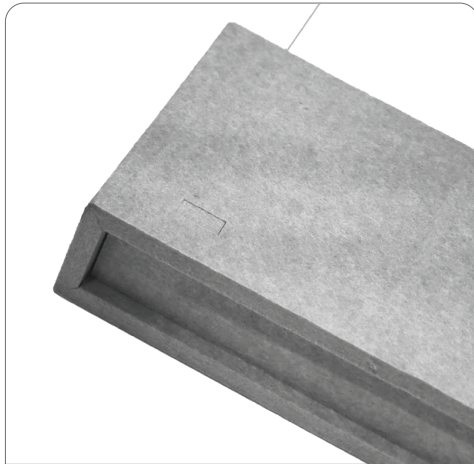
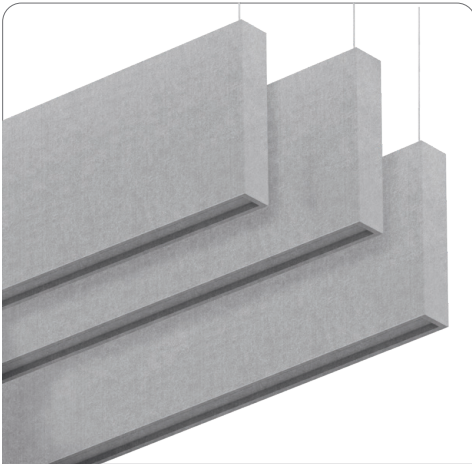




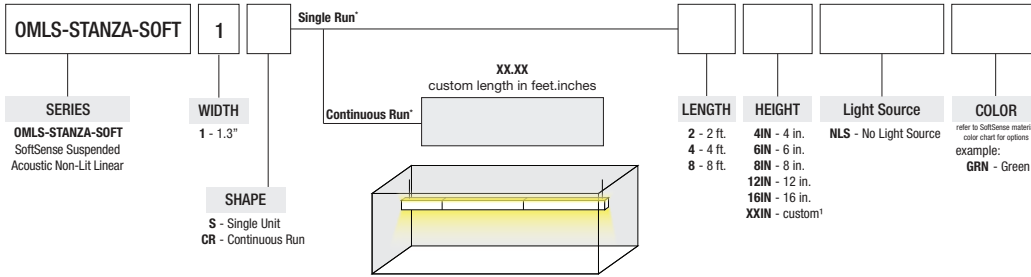
"Stanza" family consists of acoustic suspended linear fixtures. Looking to lower your reverberation rate even more? The non-lit version of the OMLS acoustic wrapped fixture is your best friend.

With the same sleek dimensions as our lit OMLS, it blends in perfectly while keeping things quiet. No light needed? No problem! We've ditched the metal frame too, making it lighter and fully acoustic, yet still just as strong.



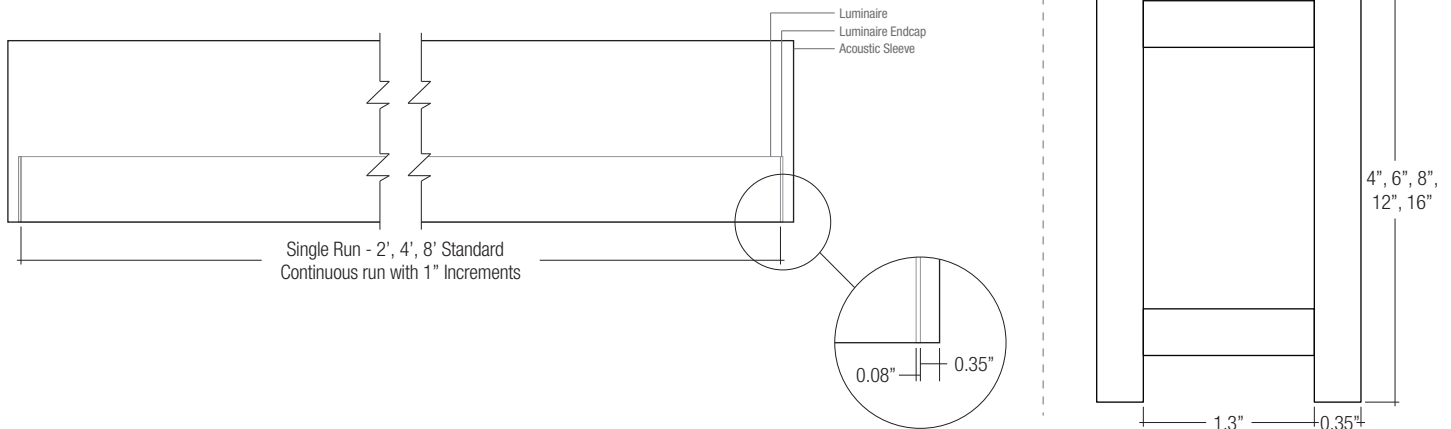
07.09.24

Example: **OMLS-STANZA-SOFT-1-S-4-12IN-NLS-GRN**



¹ Consult Factory
* measurement will indicate luminaire size without endcaps or acoustic wrapping (endcaps and acoustic will add a total of 0.87" to the indicated length)

DIMENSIONS - luminaire size considered only to keep size consistency with lit option



ACOUSTIC MATERIAL - 9mm / 0.35" Thickness

Our panels come in 4' x 8' and are made from 100% polyethylene terephthalate (PET), with 50% post-consumer recycled material. PET is a moisture resistant green product with no added chemicals, binders, adhesives or dyes.

ACOUSTIC PANEL PERFORMANCE - 4' x 8' Panels

Acoustic performance of specific fixture / product will greatly vary based on mounting, installation, and configuration in a space.

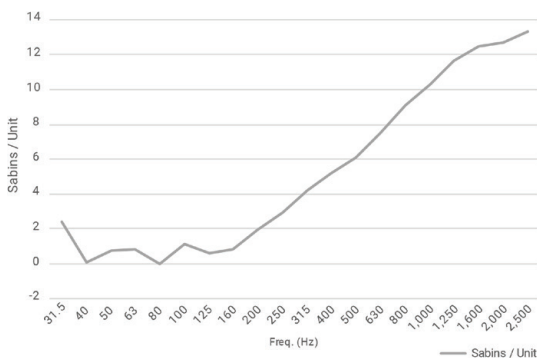
Noise Reduction Coefficient (NRC) - 0.75

Weighted Sound Absorption Coefficient - $a_w = 0.85$

NRC is a widely used standard to test sound absorption for 2-dimensional objects. It is the average absorption coefficient obtained from four key 1/3 octave frequencies: 250, 500, 1000, 2000 Hz.

SOUND ABSORPTION RESULTS

Felt Fixtures, alternating with / without light fixtures (8 units total)



CONSTRUCTION

Acoustic - Minimizing hardware, non lit fixtures are made entirely from acoustic material with no metal frame inside. Our only hardware is the suspension kit required for mounting.

CANOPY

2" and 5" canopies available in round and square.

CRM INSTALLATION

For continuous row mounting, make sure to piece together all parts of the fixture first. You may then proceed to suspend the product to your desired height.

MAINTENANCE / CARE

Acoustic material can be cleaned with a clean, soft, lint-free cloth or a vacuum.

LISTINGS

ASTM E-84 Fire Rated
SCS Recycled Content Certified
Damp Location - Certify

WARRANTY

Five-year warranty for parts and components (labor not included).

OPTIONS

Available with a light source. Refer to either: OMLS-D-STANZA-SOFT or OMLS-D-STANZA-SOFT

For just the acoustic sleeve, please consult factory.

SOFTSENSE MATERIAL COLOR CHART

Panel Thickness: 9 mm / 0.35" (+/- 0.5 mm)

ASTM E84-16 Fire Rated*



Declare.
Label Pending

Natural Print Patterns

Thickness: 8.5 mm / 0.33" (+/- 0.5 mm)



*natural prints not recommended for runs longer than 6 ft.
*all colors are ASTM E84-16 fire rated, select colors are available as Class A