

OFL-SL-307-LED

LED Square Slimline Floodlight Series

up to 150W / up to 21000 Lumens

Catalog Number:

Project Name:

Note:

Type:



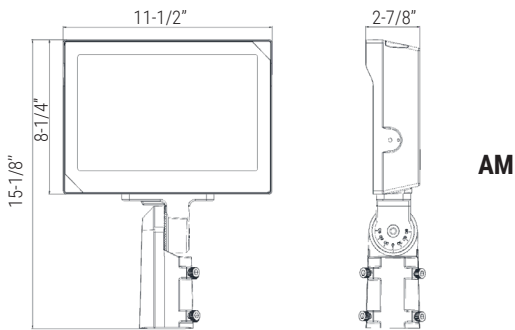
The LED square slimline floodlight is an ideal fixture for illuminating landscaping and building accents. With its compact design you are able to put the light where you need it. The extremely efficient long-lasting LEDs come in three color temperatures and are encased in an aluminum housing with an ultra clear lens.

FEATURES:

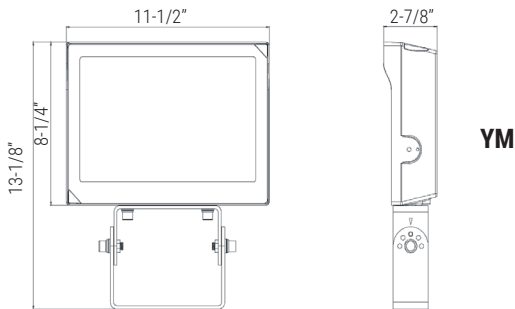
- Designed with high purity aluminum alloy housing with ultra clear high strength and toughening treatment glass cover
- UL cUL DLC-V5.1(Premium) certificate
- IP65 driver, input voltage 120-277VAC
- No UV or IR in the beam
- Easy to install and operate
- Energy saving, long lifespan
- Light is soft and uniform, safe to eyes
- Instant start, NO flickering, NO humming
- Green and eco-friendly without mercury

APPLICATION:

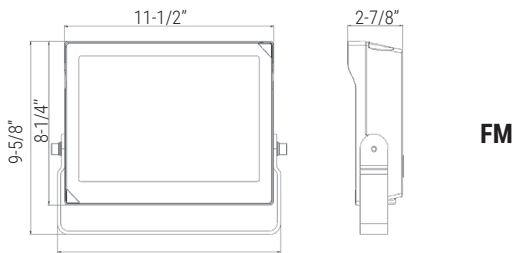
- Outdoor basketball court, tennis court.
- Badminton court, the football field.
- The school playground, stadium.
- Community leisure entertainment plaza.
- Warehouse, factory and workshops.
- Highway toll station.
- Meeting room, exhibition hall.
- Gymnasium and supermarkets, etc. plaza



AM



YM



FM

SPECIFICATIONS:

LUMENS	15000 lm, 17000 lm, 21000 lm
DIMMING	0-10V Dimming
WATTAGE	150W (Wattage adjustable range 95%-30%)
CCT	30K, 40K, 50K
CRI	>80
VOLTAGE	120-347V
POWER FREQUENCY	50/60 Hz
FINISH	Bronze

Ordering Guide > Example: **OFL-SL-307-LED-15000L/17000L/21000L-DIM10-120-347V-40K-BZ**

SERIES	LUMEN	DIMMING	VOLTAGE	CCT	FINISH
OFL-SL-307-LED	15000L/17000L/21000L	DIM10 -0-10V Dimming	120-347V	30K - 3000K 40K - 4000K 50K - 5000K	BZ - Bronze

