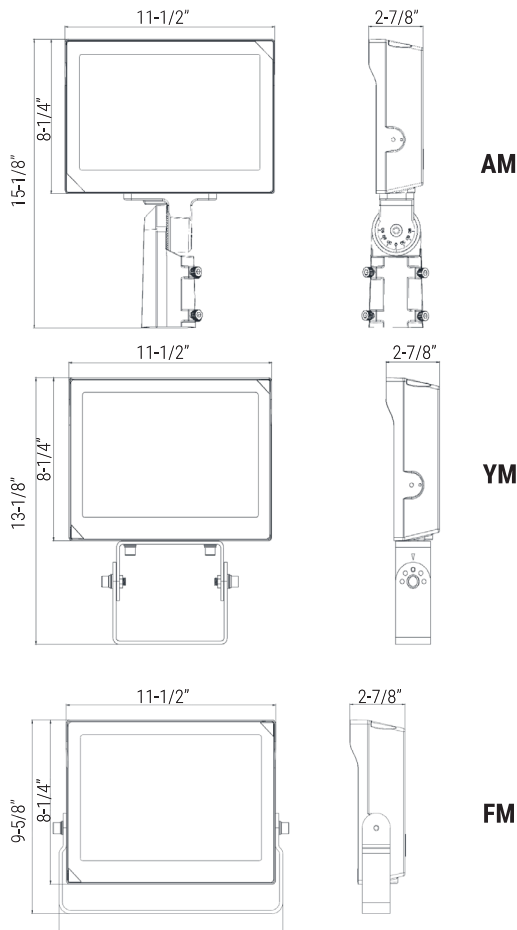


**EASY 3 COLORS
SELECTOR**
3500K • 4000K • 5000K

**MULTILUMEN
SELECTOR**

DIMENSIONS



FEATURES

The LED square slimline floodlight is an ideal fixture for illuminating landscaping and building accents. With its compact design you are able to put the light where you need it. The extremely efficient long-lasting LEDs come in three color temperatures and are encased in an aluminum housing with an ultra clear lens.

| | |
|-------------------------|---|
| LUMENS | 15000L/17000L/21000L |
| CCT | 30K/40K/50K |
| CRI | 85+ Standard |
| VOLTAGE | 120-347V |
| POWER FREQUENCY | 50/60Hz |
| COLOR QUALITY | 3 Step MacAdam Ellipse |
| MOUNTING | Arm Mount, Yoke Mount, Slipfitter Mount, Flange Mount |
| DIMMING | Dim10 (0-10 dimming) |
| FINISH | Dark Bronze, White, Black |
| APPLICATION ENVIRONMENT | Wet Location (IP65) |
| WORKING TEMPERATURE | -30°C to 50°C (-40°F - + 122°F) |
| LIFETIME | L70 at 50,000 Hours |
| EPA RATING | 0.6FT ² |
| PHOTOMETRIC TESTS | In Accordance with IES LM79-08, LM80 and TM-30, TM-21 |

| NOMINAL LUMENS | DELIVERED LUMENS | WATTAGE |
|----------------|------------------|---------|
| 15000 | 15840 | 99W |
| 17000 | 18444 | 116W |
| 21000 | 23136 | 145W |

Based on 4000K, 85+ CRI. Actual wattage may vary +/- 5%

BUG RATING

| B | U | G |
|---|---|---|
| 3 | 0 | 1 |



OPTICS

- Adjustable color temperature (3000K&4000K&5000K).
- Scalable Lumen Packages from 21,000 Lumens.
- Anti-UV prismatic translucent len is designed to shape the light distribution and uniformity

CONSTRUCTION

- Sealed die-casting profile for outdoor applications.
- Casting thermally conducts LED heat to optimize performance and long life.
- Suitable for applications requiring 3G testing prescribed by ANSI C136.31.

MOUNTING

The product is supplied with a standard Arm Mount (AM) for mounting. Additionally, users have the flexibility to choose from alternative mounting options, including Yoke Mount (YM) , Slipfitter Mount (SFM), and Flange Mount (FM), providing versatile installation solutions to meet specific requirements.

OPTIONS & ACCESSORIES

Optional photocell (PHC) detects changing light levels and saves energy by turning off during the day

DRIVER ELECTRICAL INFORMATION

- Universal 120-347 VAC input voltage.
- 1-10V Dimming.
- Both drivers have a power factor >90%, THD <20%.
- Operating Temperature Range: -30°C to 50°C (-40°F - + 122°F).

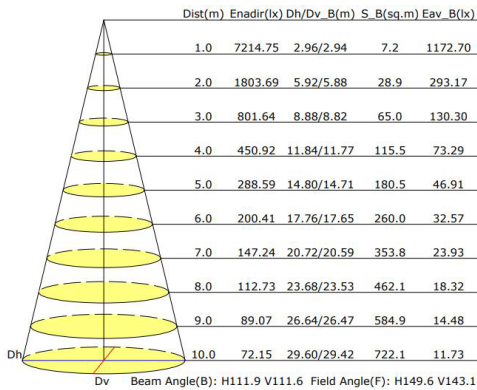
WARRANTY

Five-year warranty for parts and components (labor not included).

LISTING

c-UL-us Listed for Feed Through Wiring.
Listed for DLC, California Title 24 compliant.

Illuminance at a Distance(Beam Angle)



Mounting Options:



AM



YM



AF1/AF2



FM

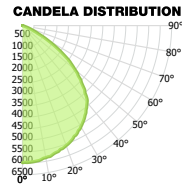
Example: OFL-SL-307-LED-15000L/17000L/21000L-DIM10-120-347V-30K/40K/50K-BZ

| | | | | | | | | |
|----------------------------------|--------------------------------------|---|----------------------------|---------------------------|--|---|---|--|
| OFL-SL-307-LED | | | | | | | | |
| SERIES LED Flood Light | LUMENS 15000L/17000L/21000 | DIMMING DIM10 - 0-10V Dimming | VOLTAGE 120-347V | CCT 30K/40K/50K | MOUNTING AM - Arm Mount Standard YM - Yoke Mount SFM - Slipfitter Mount FM - Flange Mount <i>Optional (Sold Seperate)</i> | FINISH WH - White BK - Black BZ - Bronze | OPTION PHC - Photocell | |

OFL-SL-307-LED-15000L-17000L-21000L-DIM10-120-347V-30K-40K-50K-BZ(15000L)

TEST NO.: **EL01082420**

INPUT WATTS: **98.5** LUMENS: **15840** EFFICACY: **161** BEAM ANGLE: **109** SPACING CRITERIA: **1.26**



| CANDELA TABLE | | LUMINANCE (cd/sq.m) | |
|---------------|------|---------------------|------------|
| 0° | 90° | 0.00° | 90.00° |
| 0° | 5975 | 5975 | 0 0 |
| 10° | 5844 | 5916 | 45.00° 0 0 |
| 20° | 5563 | 5689 | 55.00° 0 0 |
| 30° | 5089 | 5274 | 65.00° 0 0 |
| 40° | 4377 | 4661 | 75.00° 0 0 |
| 50° | 2987 | 3611 | 85.00° 0 0 |
| 60° | 1247 | 2233 | |
| 70° | 192 | 849 | |
| 80° | 11 | 41 | |
| 90° | 6 | 3 | |

| LUMENS PER ZONE | | ZONAL LUMEN SUMMARY | |
|-----------------|--------|---------------------|-------------------|
| ZONE | LUMENS | ZONE | UMENS % LUMINAIRE |
| 0° - 10° | 568 | 0° - 20° | 2201 14% |
| 10° - 20° | 1633 | 10° - 30° | 4708 30% |
| 20° - 30° | 2508 | 20° - 40° | 7781 49% |
| 30° - 40° | 3073 | 30° - 60° | 13637 86% |
| 40° - 50° | 3190 | 40° - 80° | 15668 99% |
| 50° - 60° | 2665 | 50° - 90° | 15707 99% |
| 60° - 70° | 1561 | | |
| 70° - 80° | 471 | | |
| 80° - 90° | 39 | | |

CONE OF LIGHT

| MOUNTING HEIGHT | FC AT BEAM CENTER | BEAM DIA. 0°-180° | BEAM DIA. 90°-270° |
|-----------------|-------------------|-------------------|--------------------|
| 6.0 ft | 166.0 fc | 17.0 ft | 16.6 ft |
| 8.0 ft | 93.4 fc | 22.6 ft | 22.1 ft |
| 10.0 ft | 59.8 fc | 28.3 ft | 27.6 ft |
| 12.0 ft | 41.5 fc | 33.9 ft | 33.1 ft |
| 14.0 ft | 30.5 fc | 39.6 ft | 38.6 ft |
| 16.0 ft | 23.3 fc | 45.3 ft | 44.1 ft |
| 18.0 ft | 18.4 fc | 50.9 ft | 49.7 ft |
| 20.0 ft | 14.9 fc | 56.6 ft | 55.2 ft |

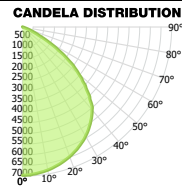
INDOOR COEFFICIENTS OF UTILIZATION

| pf | 20% | | | | | | | | | | | | 30% | | | | 10% | | | | 0% | | | | | | | |
|----|-----|-----|-----|-----|-----|-----|-----|-----|-----|-----|-----|-----|-----|-----|-----|-----|-----|-----|-----|-----|-----|-----|-----|-----|-----|-----|-----|----|
| | pc | 80% | | | 70% | | | 50% | | | 30% | | | 10% | | | 50% | | | 10% | | | 0% | | | | | |
| pw | 70% | 50% | 30% | 10% | 70% | 50% | 30% | 10% | 50% | 30% | 10% | 50% | 30% | 10% | 50% | 30% | 10% | 50% | 30% | 10% | 50% | 30% | 10% | 50% | 30% | 10% | 50% | |
| 0 | 119 | 119 | 119 | 119 | 116 | 116 | 116 | 116 | 111 | 111 | 111 | 106 | 106 | 106 | 101 | 101 | 101 | 99 | 99 | 99 | 99 | 101 | 101 | 99 | 99 | 99 | 99 | |
| 1 | 110 | 106 | 102 | 99 | 107 | 104 | 100 | 97 | 99 | 96 | 94 | 95 | 93 | 91 | 92 | 90 | 88 | 86 | 86 | 86 | 86 | 91 | 92 | 90 | 88 | 86 | 86 | |
| 2 | 101 | 93 | 87 | 82 | 98 | 91 | 86 | 81 | 88 | 83 | 79 | 85 | 81 | 77 | 81 | 78 | 75 | 73 | 73 | 73 | 81 | 77 | 81 | 78 | 75 | 73 | 73 | |
| 3 | 92 | 83 | 75 | 69 | 90 | 81 | 74 | 68 | 78 | 72 | 67 | 75 | 70 | 66 | 73 | 68 | 65 | 63 | 63 | 63 | 67 | 67 | 66 | 73 | 68 | 65 | 63 | |
| 4 | 85 | 74 | 65 | 59 | 83 | 72 | 64 | 59 | 70 | 63 | 58 | 67 | 61 | 57 | 65 | 60 | 56 | 54 | 54 | 54 | 58 | 57 | 61 | 57 | 65 | 60 | 56 | 54 |
| 5 | 78 | 66 | 57 | 51 | 76 | 65 | 57 | 51 | 63 | 55 | 50 | 61 | 54 | 49 | 59 | 53 | 49 | 47 | 47 | 47 | 54 | 49 | 59 | 53 | 49 | 47 | 47 | |
| 6 | 72 | 59 | 51 | 45 | 70 | 58 | 50 | 44 | 57 | 49 | 44 | 55 | 48 | 44 | 53 | 48 | 43 | 41 | 41 | 41 | 44 | 44 | 53 | 48 | 43 | 41 | 41 | |
| 7 | 67 | 54 | 45 | 39 | 65 | 53 | 45 | 39 | 51 | 44 | 39 | 50 | 43 | 39 | 49 | 43 | 38 | 36 | 36 | 36 | 39 | 35 | 45 | 39 | 34 | 32 | 32 | |
| 8 | 62 | 49 | 41 | 35 | 61 | 48 | 41 | 35 | 47 | 40 | 35 | 46 | 39 | 35 | 45 | 39 | 34 | 32 | 32 | 32 | 36 | 31 | 41 | 35 | 31 | 29 | 29 | |
| 9 | 58 | 45 | 37 | 32 | 57 | 44 | 37 | 32 | 43 | 36 | 31 | 42 | 36 | 31 | 41 | 35 | 31 | 29 | 29 | 29 | 31 | 31 | 35 | 31 | 29 | 29 | 29 | |
| 10 | 55 | 42 | 34 | 29 | 53 | 41 | 34 | 29 | 40 | 33 | 28 | 39 | 33 | 28 | 38 | 32 | 28 | 26 | 26 | 26 | 28 | 28 | 38 | 32 | 28 | 26 | 26 | |

OFL-SL-307-LED-15000L-17000L-21000L-DIM10-120-347V-30K-40K-50K-BZ(17000L)

TEST NO.: **EL01082420**

INPUT WATTS: **115.6** LUMENS: **18444** EFFICACY: **160** BEAM ANGLE: **109** SPACING CRITERIA: **1.26**



| CANDELA TABLE | | LUMINANCE (cd/sq.m) | |
|---------------|------|---------------------|------------|
| 0° | 90° | 0.00° | 90.00° |
| 0° | 6961 | 6961 | 0 0 |
| 10° | 6819 | 6896 | 45.00° 0 0 |
| 20° | 6473 | 6616 | 55.00° 0 0 |
| 30° | 5916 | 6145 | 65.00° 0 0 |
| 40° | 5081 | 5437 | 75.00° 0 0 |
| 50° | 3462 | 4210 | 85.00° 0 0 |
| 60° | 1441 | 2594 | |
| 70° | 219 | 988 | |
| 80° | 13 | 48 | |
| 90° | 8 | 4 | |

| LUMENS PER ZONE | | ZONAL LUMEN SUMMARY | |
|-----------------|--------|---------------------|-------------------|
| ZONE | LUMENS | ZONE | UMENS % LUMINAIRE |
| 0° - 10° | 661 | 0° - 20° | 2562 14% |
| 10° - 20° | 1901 | 10° - 30° | 5481 30% |
| 20° - 30° | 2919 | 20° - 40° | 9058 49% |
| 30° - 40° | 3577 | 30° - 60° | 15874 86% |
| 40° - 50° | 3713 | 40° - 80° | 18243 99% |
| 50° - 60° | 3103 | 50° - 90° | 18288 99% |
| 60° - 70° | 1818 | | |
| 70° - 80° | 551 | | |
| 80° - 90° | 46 | | |

CONE OF LIGHT

| MOUNTING HEIGHT | FC AT BEAM CENTER | BEAM DIA. 0°-180° | BEAM DIA. 90°-270° |
|-----------------|-------------------|-------------------|--------------------|
| 6.0 ft | 193.4 fc | 17.0 ft | 16.6 ft |
| 8.0 ft | 108.8 fc | 22.7 ft | 22.1 ft |
| 10.0 ft | 69.6 fc | 28.3 ft | 27.6 ft |
| 12.0 ft | 48.3 fc | 34.0 ft | 33.2 ft |
| 14.0 ft | 35.5 fc | 39.6 ft | 38.7 ft |
| 16.0 ft | 27.2 fc | 45.3 ft | 44.2 ft |
| 18.0 ft | 21.5 fc | 51.0 ft | 49.8 ft |
| 20.0 ft | 17.4 fc | 56.6 ft | 55.3 ft |

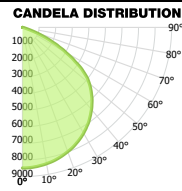
INDOOR COEFFICIENTS OF UTILIZATION

| pf | 20% | | | | | | | | | | | | 30% | | | | 10% | | | | 0% | | | | | | | |
|----|-----|-----|-----|-----|-----|-----|-----|-----|-----|-----|-----|-----|-----|-----|-----|-----|-----|-----|-----|-----|-----|-----|-----|-----|-----|-----|-----|----|
| | pc | 80% | | | 70% | | | 50% | | | 30% | | | 10% | | | 50% | | | 10% | | | 0% | | | | | |
| pw | 70% | 50% | 30% | 10% | 70% | 50% | 30% | 10% | 50% | 30% | 10% | 50% | 30% | 10% | 50% | 30% | 10% | 50% | 30% | 10% | 50% | 30% | 10% | 50% | 30% | 10% | 50% | |
| 0 | 119 | 119 | 119 | 119 | 116 | 116 | 116 | 116 | 111 | 111 | 111 | 106 | 106 | 106 | 101 | 101 | 101 | 99 | 99 | 99 | 99 | 101 | 101 | 99 | 99 | 99 | 99 | |
| 1 | 110 | 106 | 102 | 99 | 107 | 104 | 100 | 97 | 99 | 96 | 94 | 95 | 93 | 91 | 92 | 90 | 88 | 86 | 86 | 86 | 86 | 91 | 92 | 90 | 88 | 86 | 86 | |
| 2 | 101 | 93 | 87 | 82 | 98 | 91 | 86 | 81 | 88 | 83 | 79 | 85 | 81 | 77 | 81 | 78 | 75 | 73 | 73 | 73 | 81 | 77 | 81 | 78 | 75 | 73 | 73 | |
| 3 | 92 | 83 | 75 | 69 | 90 | 81 | 74 | 68 | 78 | 72 | 67 | 75 | 70 | 66 | 73 | 68 | 65 | 63 | 63 | 63 | 67 | 67 | 66 | 73 | 68 | 65 | 63 | |
| 4 | 85 | 74 | 65 | 59 | 83 | 72 | 64 | 59 | 70 | 63 | 58 | 67 | 61 | 57 | 65 | 60 | 56 | 54 | 54 | 54 | 58 | 57 | 61 | 57 | 65 | 60 | 56 | 54 |
| 5 | 78 | 66 | 57 | 51 | 76 | 65 | 57 | 51 | 63 | 55 | 50 | 61 | 54 | 49 | 59 | 53 | 49 | 47 | 47 | 47 | 54 | 49 | 59 | 53 | 49 | 47 | 47 | |
| 6 | 72 | 59 | 51 | 45 | 70 | 58 | 50 | 44 | 57 | 49 | 44 | 55 | 48 | 44 | 53 | 48 | 43 | 41 | 41 | 41 | 44 | 44 | 53 | 48 | 43 | 41 | 41 | |
| 7 | 67 | 54 | 45 | 39 | 65 | 53 | 45 | 39 | 51 | 44 | 39 | 50 | 43 | 39 | 49 | 43 | 38 | 36 | 36 | 36 | 39 | 35 | 45 | 39 | 34 | 32 | 32 | |
| 8 | 62 | 49 | 41 | 35 | 61 | 48 | 41 | 35 | 47 | 40 | 35 | 46 | 39 | 35 | 45 | 39 | 34 | 32 | 32 | 32 | 36 | 31 | 41 | 35 | 31 | 29 | 29 | |
| 9 | 58 | 45 | 37 | 32 | 57 | 44 | 37 | 32 | 43 | 36 | 31 | 42 | 36 | 31 | 41 | 35 | 31 | 29 | 29 | 29 | 31 | 31 | 35 | 31 | 29 | 29 | 29 | |
| 10 | 54 | 42 | 34 | 29 | 53 | 41 | 34 | 29 | 40 | 33 | 28 | 39 | 33 | 28 | 38 | 32 | 28 | 26 | 26 | 26 | 28 | 28 | 38 | 32 | 28 | 26 | 26 | |

OFL-SL-307-LED-15000L-17000L-21000L-DIM10-120-347V-30K-40K-50K-BZ(21000L)

TEST NO.: **EL01082420**

INPUT WATTS: **144.6** LUMENS: **23136** EFFICACY: **160** BEAM ANGLE: **112** SPACING CRITERIA: **1.29**



| CANDELA TABLE | | LUMINANCE (cd/sq.m) | |
|---------------|------|---------------------|------------|
| 0° | 90° | 0.00° | 90.00° |
| 0° | 8483 | 8483 | 0 0 |
| 10° | 8351 | 8345 | 45.00° 0 0 |
| 20° | 7978 | 7964 | 55.00° 0 0 |
| 30° | 7370 | 7329 | 65.00° 0 0 |
| 40° | 6472 | 6443 | 75.00° 0 0 |
| 50° | 5260 | 5236 | 85.00° 0 0 |
| 60° | 3019 | 3628 | |
| 70° | 689 | 1594 | |
| 80° | 47 | 152 | |
| 90° | 7 | 5 | |

| LUMENS PER ZONE | | ZONAL LUMEN SUMMARY | |
|-----------------|--------|---------------------|-------------------|
| ZONE | LUMENS | ZONE | UMENS % LUMINAIRE |
| 0° - 10° | 806 | 0° - 20° | 3122 13% |
| 10° - 20° | 2317 | 10° - 30° | 6677 29% |
| 20° - 30° | 3555 | 20° - 40° | 11034 48% |
| 30° - 40° | 4356 | 30° - 60° | 19662 85% |
| 40° - 50° | 4576 | 40° - 80° | 22902 99% |
| 50° - 60° | 4053 | 50° - 90° | 22944 99% |
| 60° - 70° | 2523 | | |
| 70° - 80° | 717 | | |
| 80° - 90° | 42 | | |

CONE OF LIGHT

| MOUNTING HEIGHT | FC AT BEAM CENTER | BEAM DIA. 0°-180° | BEAM DIA. 90°-270° |
|-----------------|-------------------|-------------------|--------------------|
| 6.0 ft | 235.6 fc | 17.7 ft | 18.6 ft |
| 8.0 ft | 132.6 fc | 23.6 ft | 24.7 ft |
| 10.0 ft | 84.8 fc | 29.5 ft | 30.9 ft |
| 12.0 ft | 58.9 fc | 35.4 ft | 37.1 ft |
| 14.0 ft | 43.3 fc | 41.3 ft | 43.3 ft |
| 16.0 ft | 33.1 fc | 47.2 ft | 49.5 ft |
| 18.0 ft | 26.2 fc | 53.0 ft | 55.7 ft |
| 20.0 ft | 21.2 fc | 58.9 ft | 61.8 ft |

INDOOR COEFFICIENTS OF UTILIZATION

| pf | 20% | | | | | | | | | | | | 30% | | | | 10% | | | | 0% | | | | | | |
|----|-----|-----|-----|-----|-----|-----|-----|-----|-----|-----|-----|-----|-----|-----|-----|-----|-----|-----|-----|-----|-----|-----|-----|-----|-----|-----|-----|
| | pc | 80% | | | 70% | | | 50% | | | 30% | | | 10% | | | 50% | | | 10% | | | 0% | | | | |
| pw | 70% | 50% | 30% | 10% | 70% | 50% | 30% | 10% | 50% | 30% | 10% | 50% | 30% | 10% | 50% | 30% | 10% | 50% | 30% | 10% | 50% | 30% | 10% | 50% | 30% | 10% | 50% |
| 0 | 119 | 119 | 119 | 119 | 116 | 116 | 116 | 116 | 111 | 111 | 111 | 106 | 106 | 106 | 101 | 101 | | | | | | | | | | | |