

# OFL-SL-207-LED

## LED Square Slimline Floodlight Series

up to 150W / up to 8000 Lumens

Catalog Number:

Project Name:

Note:

Type:



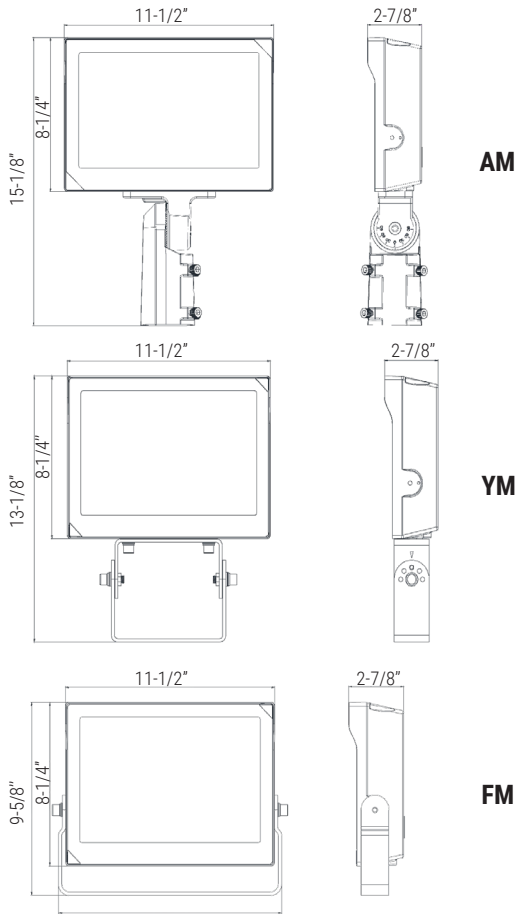
The LED square slimline floodlight is an ideal fixture for illuminating landscaping and building accents. With its compact design you are able to put the light where you need it. The extremely efficient long-lasting LEDs come in three color temperatures and are encased in an aluminum housing with an ultra clear lens.

### FEATURES:

- Designed with high purity aluminum alloy housing with ultra clear high strength and toughening treatment glass cover
- UL cUL DLC-V5.1(Premium) certificate
- IP65 driver, input voltage 120-277VAC
- No UV or IR in the beam
- Easy to install and operate
- Energy saving, long lifespan
- Light is soft and uniform, safe to eyes
- Instant start, NO flickering, NO humming
- Green and eco-friendly without mercury

### APPLICATION:

- Outdoor basketball court, tennis court.
- Badminton court, the football field.
- The school playground, stadium.
- Community leisure entertainment plaza.
- Warehouse, factory and workshops.
- Highway toll station.
- Meeting room, exhibition hall.
- Gymnasium and supermarkets, etc. plaza



### SPECIFICATIONS:

<b>LUMENS</b>	3000 lm, 6000 lm, 8000 lm
<b>DIMMING</b>	0-10V Dimming
<b>WATTAGE</b>	150W (Wattage adjustable range 95%-30%)
<b>CCT</b>	30K, 40K, 50K
<b>CRI</b>	>80
<b>VOLTAGE</b>	120-347V
<b>POWER FREQUENCY</b>	50/60 Hz
<b>FINISH</b>	Bronze

Ordering Guide > Example: OFL-SL-207-LED-3000L/6000L/8000L-DIM10-120-347V-40K-BZ

SERIES	LUMEN	DIMMING	VOLTAGE	CCT	FINISH
OFL-SL-207-LED	3000L/6000L/8000L	DIM10 -0-10V Dimming	120-347V	30K - 3000K 40K - 4000K 50K - 5000K	BZ - Bronze

