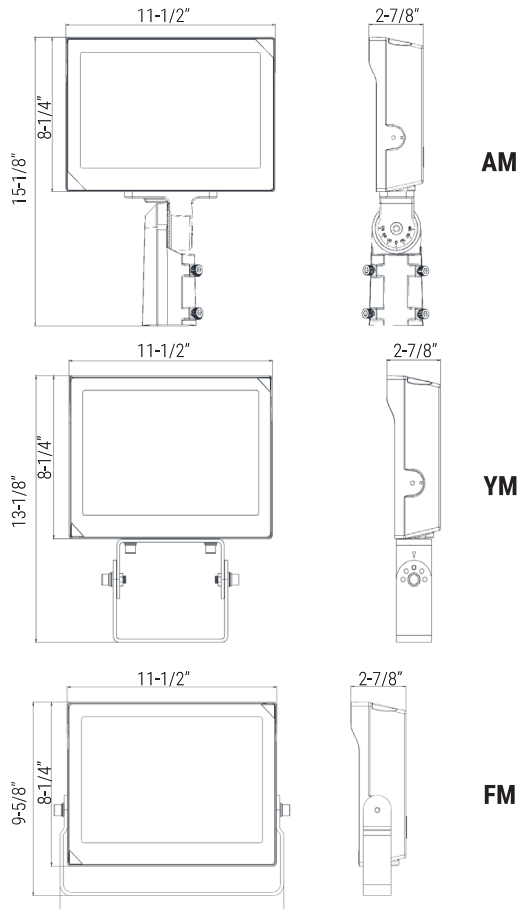


**EASY 3 COLORS
SELECTOR**
3500K • 4000K • 5000K

**MULTILUMEN
SELECTOR**

DIMENSIONS



FEATURES

The LED square slimline floodlight is an ideal fixture for illuminating landscaping and building accents. With its compact design you are able to put the light where you need it. The extremely efficient long-lasting LEDs come in three color temperatures and are encased in an aluminum housing with an ultra clear lens.

| | |
|-------------------------|---|
| LUMENS | 3000L/6000L/8000L |
| CCT | 30K/40K/50K |
| CRI | 85+ Standard |
| VOLTAGE | 120-347V |
| POWER FREQUENCY | 50/60Hz |
| COLOR QUALITY | 3 Step MacAdam Ellipse |
| MOUNTING | Arm Mount, Yoke Mount, Slipfitter Mount, Flange Mount |
| DIMMING | Dim10 (0-10 dimming) |
| FINISH | Dark Bronze, White, Black |
| APPLICATION ENVIRONMENT | Wet Location (IP65) |
| WORKING TEMPERATURE | -30°C to 50°C (-40°F - + 122°F) |
| LIFETIME | L70 at 50,000 Hours |
| EPA RATING | 0.42FT² |
| PHOTOMETRIC TESTS | In Accordance with IES LM79-08, LM80 and TM-30, TM-21 |

| NOMINAL LUMENS | DELIVERED LUMENS | WATTAGE |
|----------------|------------------|---------|
| 3000 | 3329 | 20W |
| 6000 | 6442 | 40W |
| 8000 | 8687 | 57W |

Based on 4000K, 85+ CRI. Actual wattage may vary +/- 5%

BUG RATING

| | | |
|----------|----------|----------|
| B | U | G |
| 2 | 0 | 0 |



OPTICS

- Adjustable color temperature (3000K&4000K&5000K).
- Scalable Lumen Packages from 8,000 Lumens.
- Anti-UV prismatic translucent len is designed to shape the light distribution and uniformity

CONSTRUCTION

- Sealed die-casting profile for outdoor applications.
- Casting thermally conducts LED heat to optimize performance and long life.
- Suitable for applications requiring 3G testing prescribed by ANSI C136.31.

MOUNTING

The product is supplied with a standard Arm Mount (AM) for mounting. Additionally, users have the flexibility to choose from alternative mounting options, including Yoke Mount (YM), Slipfitter Mount (SFM), and Flange Mount (FM), providing versatile installation solutions to meet specific requirements.

OPTIONS & ACCESSORIES

Optional photocell (PHC) detects changing light levels and saves energy by turning off during the day

DRIVER ELECTRICAL INFORMATION

- Universal 120-347 VAC input voltage.
- 1-10V Dimming.
- Both drivers have a power factor >90%, THD <20%.
- Operating Temperature Range: -30°C to 50°C (-40°F - + 122°F).

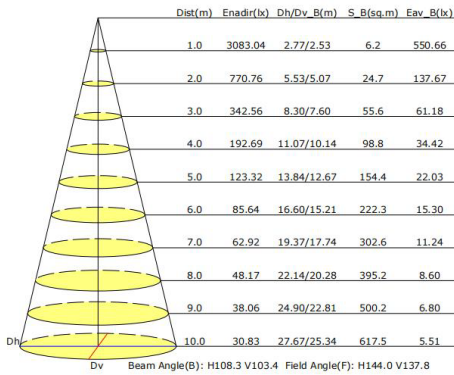
WARRANTY

Five-year warranty for parts and components (labor not included).

LISTING

c-UL-us Listed for Feed Through Wiring.
Listed for DLC, California Title 24 compliant.

Illuminance at a Distance



Mounting Options:



AM



YM



AF1/AF2



FM

Example: OFL-SL-207-LED-3000L/6000L/8000L-DIM10-120-347V-30K/40K/50K-BZ

| | | | | | | | |
|-----------------|----------------|-----------------------|----------------|-------------|--|---|------------------------|
| OFL-SL-207-LED | | | | | | | |
| SERIES | LUMENS | DIMMING | VOLTAGE | CCT | MOUNTING | FINISH | OPTION |
| LED Flood Light | 3000/6000/8000 | DIM10 - 0-10V Dimming | 120-347V | 30K/40K/50K | AM - Arm Mount Standard YM - Yoke Mount SFM - Slipfitter Mount FM - Flange Mount Optional (Sold Seperate) | WH - White BK - Black BZ -Bronze | PHC - Photocell |

OFL-SL-207-LED-3000L-6000L-8000L-DIM10-120-347V-30K-40K-50K-BZ(3000L)

TEST NO.: **EL01082420**

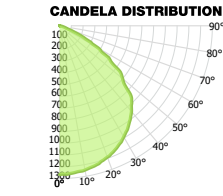
INPUT WATTS: **19.9**

LUMENS: **3329**

EFFICACY: **167**

BEAM ANGLE: **106**

SPACING CRITERIA: **1.27**



| CANDELA TABLE | |
|---------------|-----------|
| 0° | 90° |
| 0° | 1266 1266 |
| 10° | 1246 1241 |
| 20° | 1189 1177 |
| 30° | 1092 1082 |
| 40° | 952 944 |
| 50° | 699 763 |
| 60° | 383 521 |
| 70° | 62 228 |
| 80° | 10 20 |
| 90° | 1 1 |

| LUMINANCE (cd/sq.m) | |
|---------------------|--------|
| 0.00° | 90.00° |
| 0.00° | 0 0 |
| 45.00° | 0 0 |
| 55.00° | 0 0 |
| 65.00° | 0 0 |
| 75.00° | 0 0 |
| 85.00° | 0 0 |

| LUMENS PER ZONE | |
|-----------------|--------|
| ZONE | LUMENS |
| 0° - 10° | 120 |
| 10° - 20° | 346 |
| 20° - 30° | 530 |
| 30° - 40° | 646 |
| 40° - 50° | 669 |
| 50° - 60° | 562 |
| 60° - 70° | 331 |
| 70° - 80° | 90 |
| 80° - 90° | 7 |

| ZONAL LUMEN SUMMARY | | |
|---------------------|-------|-------------|
| ZONE | UMENS | % LUMINAIRE |
| 0° - 10° | 466 | 14% |
| 0° - 30° | 996 | 30% |
| 0° - 40° | 1642 | 49% |
| 0° - 60° | 2873 | 86% |
| 0° - 80° | 3293 | 99% |
| 0° - 90° | 3300 | 99% |

CONE OF LIGHT

| MOUNTING HEIGHT | FC AT BEAM CENTER | BEAM DIA. 0°-180° | BEAM DIA. 90°-270° |
|-----------------|-------------------|-------------------|--------------------|
| 6.0 ft | 35.2 fc | 15.8 ft | 18.5 ft |
| 8.0 ft | 19.8 fc | 21.1 ft | 24.6 ft |
| 10.0 ft | 12.7 fc | 26.4 ft | 30.8 ft |
| 12.0 ft | 8.8 fc | 31.7 ft | 37.0 ft |
| 14.0 ft | 6.5 fc | 37.0 ft | 43.1 ft |
| 16.0 ft | 4.9 fc | 42.2 ft | 49.3 ft |
| 18.0 ft | 3.9 fc | 47.5 ft | 55.4 ft |
| 20.0 ft | 3.2 fc | 52.8 ft | 61.6 ft |

INDOOR COEFFICIENTS OF UTILIZATION

| pf | pc | 20% | | | | | | | | | | | | | | | | 0% | | | | | | | |
|----|-----|-----|-----|-----|-----|-----|-----|-----|-----|-----|-----|-----|-----|-----|-----|-----|-----|-----|-----|-----|-----|-----|-----|----|----|
| | | 80% | | | | 70% | | | | 50% | | | | 30% | | | | | 10% | | | | | | |
| | | pw | 70% | 50% | 30% | 10% | 70% | 50% | 30% | 10% | 50% | 30% | 10% | 50% | 30% | 10% | 50% | 30% | 10% | 10% | 50% | 30% | 10% | 0% | |
| 0 | 119 | 119 | 119 | 119 | 119 | 116 | 116 | 116 | 116 | 111 | 111 | 111 | 106 | 106 | 106 | 101 | 101 | 101 | 99 | 101 | 101 | 101 | 101 | 99 | 0% |
| 1 | 110 | 106 | 102 | 99 | 107 | 104 | 100 | 97 | 99 | 97 | 94 | 95 | 93 | 91 | 92 | 90 | 88 | 86 | 86 | 86 | 86 | 86 | 86 | 86 | 0% |
| 2 | 101 | 94 | 87 | 82 | 98 | 92 | 86 | 81 | 88 | 83 | 79 | 85 | 81 | 77 | 82 | 78 | 76 | 73 | 73 | 73 | 73 | 73 | 73 | 73 | 0% |
| 3 | 92 | 83 | 75 | 69 | 90 | 81 | 74 | 69 | 78 | 72 | 67 | 75 | 70 | 66 | 73 | 68 | 65 | 63 | 63 | 63 | 63 | 63 | 63 | 63 | 0% |
| 4 | 85 | 74 | 65 | 59 | 83 | 72 | 65 | 59 | 70 | 63 | 58 | 67 | 62 | 57 | 65 | 60 | 56 | 54 | 54 | 54 | 54 | 54 | 54 | 54 | 0% |
| 5 | 78 | 66 | 57 | 51 | 76 | 65 | 57 | 51 | 63 | 56 | 50 | 61 | 54 | 50 | 59 | 53 | 49 | 47 | 47 | 47 | 47 | 47 | 47 | 47 | 0% |
| 6 | 72 | 59 | 51 | 45 | 70 | 59 | 50 | 45 | 57 | 49 | 44 | 55 | 49 | 44 | 53 | 48 | 43 | 41 | 41 | 41 | 41 | 41 | 41 | 41 | 0% |
| 7 | 67 | 54 | 46 | 40 | 65 | 53 | 45 | 39 | 52 | 44 | 39 | 50 | 44 | 39 | 49 | 43 | 38 | 36 | 36 | 36 | 36 | 36 | 36 | 36 | 0% |
| 8 | 62 | 49 | 41 | 35 | 61 | 49 | 41 | 35 | 47 | 40 | 35 | 46 | 39 | 35 | 45 | 39 | 34 | 33 | 33 | 33 | 33 | 33 | 33 | 33 | 0% |
| 9 | 58 | 45 | 37 | 32 | 57 | 45 | 37 | 32 | 43 | 36 | 31 | 42 | 36 | 31 | 41 | 35 | 31 | 29 | 29 | 29 | 29 | 29 | 29 | 29 | 0% |
| 10 | 55 | 42 | 34 | 29 | 53 | 41 | 34 | 29 | 40 | 33 | 29 | 39 | 33 | 28 | 38 | 32 | 28 | 27 | 27 | 27 | 27 | 27 | 27 | 27 | 0% |

OFL-SL-207-LED-3000L-6000L-8000L-DIM10-120-347V-30K-40K-50K-BZ(6000L)

TEST NO.: **EL01082420**

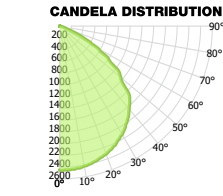
INPUT WATTS: **40.1**

LUMENS: **6442**

EFFICACY: **161**

BEAM ANGLE: **106**

SPACING CRITERIA: **1.29**



| CANDELA TABLE | |
|---------------|-----------|
| 0° | 90° |
| 0° | 2446 2446 |
| 10° | 2417 2396 |
| 20° | 2317 2287 |
| 30° | 2130 2089 |
| 40° | 1842 1823 |
| 50° | 1358 1470 |
| 60° | 743 1007 |
| 70° | 121 440 |
| 80° | 19 38 |
| 90° | 3 2 |

| LUMINANCE (cd/sq.m) | |
|---------------------|--------|
| 0.00° | 90.00° |
| 0.00° | 0 0 |
| 45.00° | 0 0 |
| 55.00° | 0 0 |
| 65.00° | 0 0 |
| 75.00° | 0 0 |
| 85.00° | 0 0 |

| LUMENS PER ZONE | |
|-----------------|--------|
| ZONE | LUMENS |
| 0° - 10° | 233 |
| 10° - 20° | 669 |
| 20° - 30° | 1025 |
| 30° - 40° | 1250 |
| 40° - 50° | 1294 |
| 50° - 60° | 1087 |
| 60° - 70° | 640 |
| 70° - 80° | 174 |
| 80° - 90° | 14 |

| ZONAL LUMEN SUMMARY | | |
|---------------------|-------|-------------|
| ZONE | UMENS | % LUMINAIRE |
| 0° - 10° | 902 | 14% |
| 0° - 30° | 1927 | 30% |
| 0° - 40° | 3177 | 49% |
| 0° - 60° | 5558 | 86% |
| 0° - 80° | 6372 | 99% |
| 0° - 90° | 6387 | 99% |

CONE OF LIGHT

| MOUNTING HEIGHT | FC AT BEAM CENTER | BEAM DIA. 0°-180° | BEAM DIA. 90°-270° |
|-----------------|-------------------|-------------------|--------------------|
| 6.0 ft | 68.0 fc | 15.9 ft | 18.4 ft |
| 8.0 ft | 38.2 fc | 21.2 ft | 24.6 ft |
| 10.0 ft | 24.5 fc | 26.5 ft | 30.7 ft |
| 12.0 ft | 17.0 fc | 31.8 ft | 36.9 ft |
| 14.0 ft | 12.5 fc | 37.1 ft | 43.0 ft |
| 16.0 ft | 9.6 fc | 42.4 ft | 49.1 ft |
| 18.0 ft | 7.6 fc | 47.7 ft | 55.3 ft |
| 20.0 ft | 6.1 fc | 53.0 ft | 61.4 ft |

INDOOR COEFFICIENTS OF UTILIZATION

| pf | pc | 20% | | | | | | | | | | | | | | | | 0% | | | | | | | |
|----|-----|-----|-----|-----|-----|-----|-----|-----|-----|-----|-----|-----|-----|-----|-----|-----|-----|-----|-----|-----|-----|-----|-----|----|----|
| | | 80% | | | | 70% | | | | 50% | | | | 30% | | | | | 10% | | | | | | |
| | | pw | 70% | 50% | 30% | 10% | 70% | 50% | 30% | 10% | 50% | 30% | 10% | 50% | 30% | 10% | 50% | 30% | 10% | 10% | 50% | 30% | 10% | 0% | |
| 0 | 119 | 119 | 119 | 119 | 119 | 116 | 116 | 116 | 116 | 111 | 111 | 111 | 106 | 106 | 106 | 101 | 101 | 101 | 99 | 101 | 101 | 101 | 101 | 99 | 0% |
| 1 | 110 | 106 | 102 | 99 | 107 | 104 | 100 | 97 | 99 | 97 | 94 | 95 | 93 | 91 | 92 | 90 | 88 | 86 | 86 | 86 | 86 | 86 | 86 | 86 | 0% |
| 2 | 101 | 94 | 87 | 82 | 98 | 92 | 86 | 81 | 88 | 83 | 79 | 85 | 81 | 77 | 82 | 78 | 76 | 73 | 73 | 73 | 73 | 73 | 73 | 73 | 0% |
| 3 | 92 | 83 | 75 | 69 | 90 | 81 | 74 | 69 | 78 | 72 | 67 | 75 | 70 | 66 | 73 | 68 | 65 | 63 | 63 | 63 | 63 | 63 | 63 | 63 | 0% |
| 4 | 85 | 74 | 65 | 59 | 83 | 72 | 65 | 59 | 70 | 63 | 58 | 67 | 62 | 57 | 65 | 60 | 56 | 54 | 54 | 54 | 54 | 54 | 54 | 54 | 0% |
| 5 | 78 | 66 | 57 | 51 | 76 | 65 | 57 | 51 | 63 | 56 | 50 | 61 | 54 | 50 | 59 | 53 | 49 | 47 | 47 | 47 | 47 | 47 | 47 | 47 | 0% |
| 6 | 72 | 59 | 51 | 45 | 70 | 59 | 50 | 45 | 57 | 49 | 44 | 55 | 49 | 44 | 53 | 48 | 43 | 41 | 41 | 41 | 41 | 41 | 41 | 41 | 0% |
| 7 | 67 | 54 | 46 | 40 | 65 | 53 | 45 | 39 | 52 | 44 | 39 | 50 | 44 | 39 | 49 | 43 | 38 | 36 | 36 | 36 | 36 | 36 | 36 | 36 | 0% |
| 8 | 62 | 49 | 41 | 35 | 61 | 49 | 41 | 35 | 47 | 40 | 35 | 46 | 39 | 35 | 45 | 39 | 34 | 33 | 33 | 33 | 33 | 33 | 33 | 33 | 0% |
| 9 | 58 | 45 | 37 | 32 | 57 | 45 | 37 | 32 | 43 | 36 | 31 | 42 | 36 | 31 | 41 | 35 | 31 | 29 | 29 | 29 | 29 | 29 | 29 | 29 | 0% |
| 10 | 55 | 42 | 34 | 29 | 53 | 41 | 34 | 29 | 40 | 33 | 29 | 39 | 33 | 28 | 38 | 32 | 28 | 27 | 27 | 27 | 27 | 27 | 27 | 27 | 0% |

OFL-SL-207-LED-3000L-6000L-8000L-DIM10-120-347V-30K-40K-50K-BZ(8000L)

TEST NO.: **EL01082420**

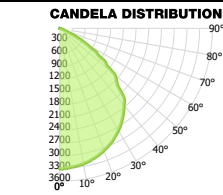
INPUT WATTS: **56.8**

LUMENS: **8687**

EFFICACY: **153**

BEAM ANGLE: **106**

SPACING CRITERIA: **1.24**



| CANDELA TABLE | |
|---------------|-----------|
| 0° | 90° |
| 0° | 3305 3305 |
| 10° | 3243 3251 |
| 20° | 3059 3096 |
| 30° | 2771 2833 |
| 40° | 2361 2483 |
| 50° | 1698 2016 |
| 60° | 715 1405 |
| 70° | 113 606 |
| 80° | 6 57 |
| 90° | 3 2 |

| LUMINANCE (cd/sq.m) | |
|---------------------|--------|
| 0.00° | 90.00° |
| 0.00° | 0 0 |
| 45.00° | 0 0 |
| 55.00° | 0 0 |
| 65.00° | 0 0 |
| 75.00° | 0 0 |
| 85.00° | 0 0 |

| LUMENS PER ZONE | |
|-----------------|--------|
| ZONE | LUMENS |
| 0° - 10° | 314 |
| 10° - 20° | 904 |
| 20° - 30° | 1384 |
| 30° - 40° | 1687 |
| 40° - 50° | 1746 |
| 50° - 60° | 1462 |
| 60° - 70° | 853 |
| 70° - 80° | 240 |
| 80° - 90° | 21 |

| ZONAL LUMEN SUMMARY | | |
|---------------------|-------|-------------|
| ZONE | UMENS | % LUMINAIRE |
| 0° - 20° | 1218 | 14% |
| 0° - 30° | 2602 | 30% |
| 0° - 40° | 4290 | 49% |
| 0° - 60° | 7498 | 86% |
| 0° - 80° | 8591 | 99% |
| 0° - 90° | 8612 | 99% |

CONE OF LIGHT

| MOUNTING HEIGHT | FC AT BEAM CENTER | BEAM DIA. 0°-180° | BEAM DIA. 90°-270° |
|-----------------|-------------------|-------------------|--------------------|
| 6.0 ft | 91.8 fc | 15.9 ft | 18.5 ft |
| 8.0 ft | 51.6 fc | 21.3 ft | 24.6 ft |
| 10.0 ft | 33.0 fc | 26.6 ft | 30.8 ft |
| 12.0 ft | 23.0 fc | 31.9 ft | 36.9 ft |
| 14.0 ft | 16.9 fc | 37.2 ft | 43.1 ft |
| 16.0 ft | 12.9 fc | 42.5 ft | 49.3 ft |
| 18.0 ft | 10.2 fc | 47.8 ft | 55.4 ft |
| 20.0 ft | 8.3 fc | 53.2 ft | 61.6 ft |

INDOOR COEFFICIENTS OF UTILIZATION

| pf | pc | 20% | | | | | | | | | | | | | | | | 0% | | | | | | |
|----|-----|-----|-----|-----|-----|-----|-----|-----|-----|-----|-----|-----|-----|-----|-----|-----|-----|-----|-----|-------|-----|-----|-----|----|
| | | 80% | | | | 70% | | | | 50% | | | | 30% | | | | | 10% | | | | | |
| | | pw | 70% | 50% | 30% | 10% | 70% | 50% | 30% | 10% | 50% | 30% | 10% | 50% | 30% | 10% | 50% | 30% | 10% | 10% | 50% | 30% | 10% | 0% |
| 0 | 119 | 119 | 119 | 119 | 119 | 116 | 116 | 116 | 116 | 111 | 111 | 111 | 106 | 106 | 106 | 101 | 101 | 101 | 99 | 101</ | | | | |