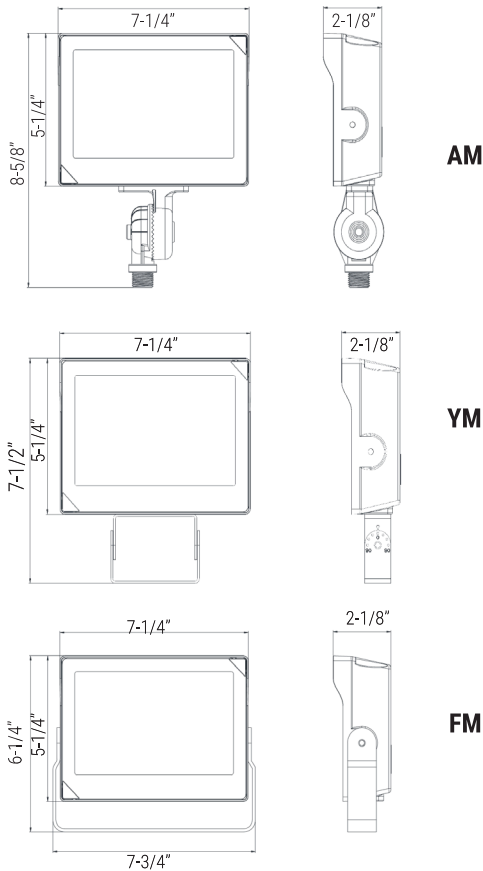


EASY 3 COLORS
SELECTOR
3500K • 4000K • 5000K

MULTILUMEN
SELECTOR

DIMENSIONS



FEATURES

The LED square slimline floodlight is an ideal fixture for illuminating landscaping and building accents. With its compact design you are able to put the light where you need it. The extremely efficient long-lasting LEDs come in three color temperatures and are encased in an aluminum housing with an ultra clear lens.

LUMENS	2000L/3500L/5000L
CCT	30K/40K/50K
CRI	85+ Standard
VOLTAGE	120-347V
POWER FREQUENCY	50/60Hz
COLOR QUALITY	3 Step MacAdam Ellipse
MOUNTING	Arm Mount, Yoke Mount, Slipfitter Mount, Flange Mount
DIMMING	Dim10 (0-10 dimming)
FINISH	Dark Bronze, White, Black
APPLICATION ENVIRONMENT	Wet Location (IP65)
WORKING TEMPERATURE	-30°C to 50°C (-30°F - + 122°F)
LIFETIME	L70 at 50,000 Hours
EPA RATING	0.27FT²
PHOTOMETRIC TESTS	In Accordance with IES LM79-08, LM80 and TM-30, TM-21

NOMINAL LUMENS	DELIVERED LUMENS	WATTAGE
2000	2508	15.4W
3500	3890	25W
5000	4947	34W

Based on 4000K, 85+ CRI. Actual wattage may vary +/- 5%

BUG RATING

B	U	G
2	0	0



OPTICS

- Adjustable color temperature (3000K&4000K&5000K).
- Scalable Lumen Packages from 5,000 Lumens.
- Anti-UV prismatic translucent len is designed to shape the light distribution and uniformity

CONSTRUCTION

- Sealed die-casting profile for outdoor applications.
- Casting thermally conducts LED heat to optimize performance and long life.
- Suitable for applications requiring 3G testing prescribed by ANSI C136.31.

MOUNTING

The product is supplied with a standard Arm Mount (AM) for mounting. Additionally, users have the flexibility to choose from alternative mounting options, including Yoke Mount (YM), Slipfitter Mount (SFM), and Flange Mount (FM), providing versatile installation solutions to meet specific requirements.

OPTIONS & ACCESSORIES

Optional photocell (PHC) detects changing light levels and saves energy by turning off during the day

DRIVER ELECTRICAL INFORMATION

- Universal 120-347 VAC input voltage.
- 0-10V Dimming.
- Both drivers have a power factor >90%, THD <20%.
- Operating Temperature Range: -30°C to 50°C (-30°F - + 122°F).

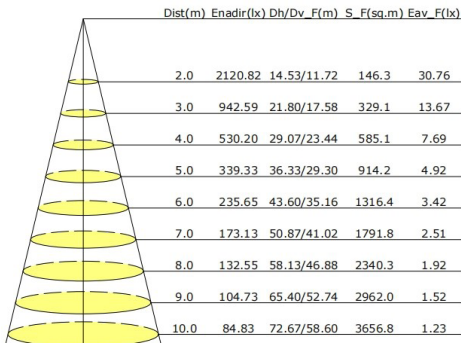
WARRANTY

Five-year warranty for parts and components (labor not included).

LISTING

c-UL-us Listed for Feed Through Wiring.
Listed for DLC, California Title 24 compliant.

Illuminance at a Distance(Beam Angle)



Mounting Options:



AM



YM



AF1/AF2



FM

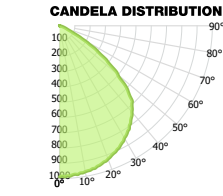
Example: OFL-SL-107-LED-2000L/3500L/5000L-DIM10-120-347V-30K/40K/50K-BZ

OFL-SL-107-LED							
SERIES LED Flood Light	LUMENS 2000/3500/5000	DIMMING DIM10 - 0-10V Dimming	VOLTAGE 120-347V	CCT 30K/40K/50K	MOUNTING AM - Arm Mount Standard YM - Yoke Mount SFM - Slipfitter Mount FM - Flange Mount Optional (Sold Seperate)	FINISH WH - White BK - Black BZ -Bronze	OPTION PHC - Photocell

OFL-SL-107-LED-2000L-3500L-5000L-DIM10-120-347V-30K-40K-50K-BZ(2000L)

TEST NO.: **EL01082420**

INPUT WATTS: **15.4** LUMENS: **2508** EFFICACY: **163** BEAM ANGLE: **103** SPACING CRITERIA: **1.27**



CONE OF LIGHT

MOUNTING HEIGHT	FC AT BEAM CENTER	BEAM DIA. 0°-180°	BEAM DIA. 90°-270°
6.0 ft	27.5 fc	15.2 ft	17.0 ft
8.0 ft	15.4 fc	20.2 ft	22.6 ft
10.0 ft	9.9 fc	25.3 ft	28.3 ft
12.0 ft	6.9 fc	30.3 ft	34.0 ft
14.0 ft	5.0 fc	35.4 ft	39.6 ft
16.0 ft	3.9 fc	40.4 ft	45.3 ft
18.0 ft	3.1 fc	45.5 ft	51.0 ft
20.0 ft	2.5 fc	50.5 ft	56.6 ft

CANDELA TABLE

	0°	90°
0°	989	989
10°	970	967
20°	928	917
30°	849	838
40°	737	727
50°	497	577
60°	170	330
70°	33	92
80°	1	3
90°	1	1

LUMINANCE (cd/sq.m)

	0.00°	90.00°
0.00°	0	0
45.00°	0	0
55.00°	0	0
65.00°	0	0
75.00°	0	0
85.00°	0	0

LUMENS PER ZONE

ZONE	LUMENS
0° - 10°	94
10° - 20°	270
20° - 30°	414
30° - 40°	506
40° - 50°	524
50° - 60°	421
60° - 70°	209
70° - 80°	44
80° - 90°	3

ZONAL LUMEN SUMMARY

ZONE	UMENS	% LUMINAIRE
0° - 10°	364	15%
0° - 30°	779	31%
0° - 40°	1284	51%
0° - 60°	2230	89%
0° - 80°	2483	99%
0° - 90°	2487	99%

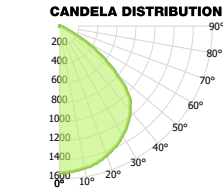
INDOOR COEFFICIENTS OF UTILIZATION

pf	pc	20%																0%				
		80%				70%				50%				30%					10%			
		70%	50%	30%	10%	70%	50%	30%	10%	50%	30%	10%	50%	30%	10%	50%	30%		10%	50%	30%	10%
0	119	119	119	119	116	116	116	116	111	111	111	106	106	106	101	101	101	99				
1	110	106	103	100	108	104	101	98	100	97	95	96	94	92	92	90	89	87				
2	102	94	88	84	99	92	87	82	89	84	80	86	82	79	83	79	77	75				
3	93	84	77	71	91	82	75	70	79	73	69	76	72	67	74	70	66	64				
4	86	75	67	61	84	73	66	60	71	64	59	69	63	58	66	62	58	56				
5	79	67	59	53	77	66	58	52	64	57	52	62	56	51	60	55	50	48				
6	73	61	52	46	71	60	52	46	58	51	45	56	50	45	54	49	45	43				
7	68	55	47	41	66	54	46	41	53	45	40	51	45	40	50	44	40	38				
8	63	50	42	36	62	49	42	36	48	41	36	47	40	36	46	40	36	34				
9	59	46	38	33	58	45	38	33	44	37	33	43	37	32	42	36	32	30				
10	55	43	35	30	54	42	35	30	41	34	30	40	34	29	39	33	29	27				

OFL-SL-107-LED-2000L-3500L-5000L-DIM10-120-347V-30K-40K-50K-BZ(3500L)

TEST NO.: **EL01082420**

INPUT WATTS: **25.0** LUMENS: **3890** EFFICACY: **156** BEAM ANGLE: **103** SPACING CRITERIA: **1.27**



CONE OF LIGHT

MOUNTING HEIGHT	FC AT BEAM CENTER	BEAM DIA. 0°-180°	BEAM DIA. 90°-270°
6.0 ft	42.7 fc	15.2 ft	16.9 ft
8.0 ft	24.0 fc	20.3 ft	22.6 ft
10.0 ft	15.4 fc	25.3 ft	28.2 ft
12.0 ft	10.7 fc	30.4 ft	33.9 ft
14.0 ft	7.8 fc	35.5 ft	39.5 ft
16.0 ft	6.0 fc	40.5 ft	45.2 ft
18.0 ft	4.7 fc	45.6 ft	50.8 ft
20.0 ft	3.8 fc	50.6 ft	56.4 ft

CANDELA TABLE

	0°	90°
0°	1537	1537
10°	1511	1501
20°	1444	1426
30°	1323	1298
40°	1151	1122
50°	773	887
60°	264	506
70°	51	138
80°	3	5
90°	1	0

LUMINANCE (cd/sq.m)

	0.00°	90.00°
0.00°	0	0
45.00°	0	0
55.00°	0	0
65.00°	0	0
75.00°	0	0
85.00°	0	0

LUMENS PER ZONE

ZONE	LUMENS
0° - 10°	146
10° - 20°	419
20° - 30°	643
30° - 40°	785
40° - 50°	813
50° - 60°	653
60° - 70°	324
70° - 80°	68
80° - 90°	5

ZONAL LUMEN SUMMARY

ZONE	UMENS	% LUMINAIRE
0° - 10°	565	15%
0° - 30°	1208	31%
0° - 40°	1993	51%
0° - 60°	3459	89%
0° - 80°	3851	99%
0° - 90°	3857	99%

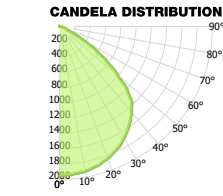
INDOOR COEFFICIENTS OF UTILIZATION

pf	pc	20%																0%				
		80%				70%				50%				30%					10%			
		70%	50%	30%	10%	70%	50%	30%	10%	50%	30%	10%	50%	30%	10%	50%	30%		10%	50%	30%	10%
0	119	119	119	119	116	116	116	116	111	111	111	106	106	106	101	101	101	99				
1	110	106	103	100	108	104	101	98	100	97	95	96	94	92	92	91	89	87				
2	102	94	89	84	99	93	87	82	89	84	80	86	82	79	83	79	77	75				
3	93	84	77	71	91	82	76	70	79	73	69	76	72	67	74	70	66	64				
4	86	75	67	61	84	73	66	60	71	64	59	69	63	58	66	62	58	56				
5	79	67	59	53	77	66	58	52	64	57	52	62	56	51	60	55	50	48				
6	73	61	52	46	71	60	52	46	58	51	45	56	50	45	54	49	45	43				
7	68	55	47	41	66	54	46	41	53	45	40	51	45	40	50	44	40	38				
8	63	50	42	36	62	50	42	36	48	41	36	47	40	36	46	40	36	34				
9	59	46	38	33	58	45	38	33	44	37	33	43	37	32	42	36	32	30				
10	55	43	35	30	54	42	35	30	41	34	30	40	34	29	39	33	29	27				

OFL-SL-107-LED-2000L-3500L-5000L-DIM10-120-347V-30K-40K-50K-BZ(5000L)

TEST NO.: **EL01082420**

INPUT WATTS: **34.0** LUMENS: **4947** EFFICACY: **146** BEAM ANGLE: **104** SPACING CRITERIA: **1.27**



CONE OF LIGHT

MOUNTING HEIGHT	FC AT BEAM CENTER	BEAM DIA. 0°-180°	BEAM DIA. 90°-270°
6.0 ft	54.3 fc	15.3 ft	17.0 ft
8.0 ft	30.5 fc	20.3 ft	22.6 ft
10.0 ft	19.5 fc	25.4 ft	28.3 ft
12.0 ft	13.6 fc	30.5 ft	33.9 ft
14.0 ft	10.0 fc	35.6 ft	39.6 ft
16.0 ft	7.6 fc	40.7 ft	45.2 ft
18.0 ft	6.0 fc	45.8 ft	50.9 ft
20.0 ft	4.9 fc	50.8 ft	56.5 ft

CANDELA TABLE

	0°	90°
0°	1954	1954
10°	1925	1910
20°	1840	1807
30°	1687	1651
40°	1467	1427
50°	987	1136
60°	337	646
70°	65	177
80°	3	6
90°	2	1

LUMINANCE (cd/sq.m)

	0.00°	90.00°
0.00°	0	0
45.00°	0	0
55.00°	0	0
65.00°	0	0
75.00°	0	0
85.00°	0	0

LUMENS PER ZONE

ZONE	LUMENS
0° - 10°	185
10° - 20°	533
20° - 30°	818
30° - 40°	998
40° - 50°	1034
50° - 60°	830
60° - 70°	413
70° - 80°	87
80° - 90°	7

ZONAL LUMEN SUMMARY

ZONE	UMENS	% LUMINAIRE
0° - 20°	718	15%
0° - 30°	1536	31%
0° - 40°	2533	51%
0° - 60°	4398	89%
0° - 80°	4898	99%
0° - 90°	4904	99%

INDOOR COEFFICIENTS OF UTILIZATION

pf	pc	20%																0%				
		80%				70%				50%				30%					10%			
		70%	50%	30%	10%	70%	50%	30%	10%	50%	30%	10%	50%	30%	10%	50%	30%		10%	50%	30%	10%
0	119	119	119	119	116	116	116	116	111	111	111	106	106	106	101	101	101	99				
1	110	106	103	100	108	104	101	98	100	97	95	96	94	92	92	90	89	87				
2	102	94	88	84	99	92	87	82	89	84	80	86	82	79	83	79	77	75				
3	93	84	77	71	91	82	75	70	79	73	69	76	72	67	74	70	66	64				
4	86	75	67	61	84	73	66	60	71	64	59	69	63	58	66	62	58	56				
5	79	67	59	53	77	66	58	52	64	57	52	62	56	51	60	55	50	48				
6	73	61	52	46	71	60	52	46	58	51	45	56	50	45	54	49	45	43				
7	68	55	47	41	66	54	46	41	53	45	40	51	45	40	50	44	40	38				
8	63	50	42	36	62	49	42	36	48	41	36	47	40	36	46	40	36	34				
9	59	46	38	33	58	45	38	33	44	37	33	43	37	32	42	36	32	30				
10	55	43	35	30	54	42	35	30	41	34	30	40	34	29	39	33	29	27				