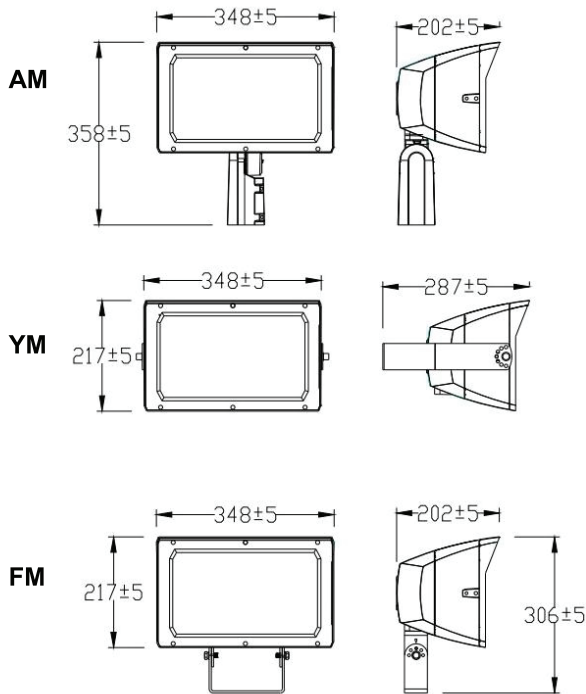




DIMENSIONS

EASY 3 COLORS
SELECTOR
3500K • 4000K • 5000K

MULTI LUMEN
SELECTOR



NOMINAL LUMENS	DELIVERED LUMENS	WATTAGE
31000	32588	199W
36000	38059	238W
45000	45201	291W

Based on 4000K, 85+ CRI. Actual wattage may vary +/- 5%

FEATURES

- Die-cast aluminum body with integrated heat sinking to maximize performance and long fixture life
- MVOLT 120-277 VAC
- Light output from 31000-45000lm with efficacy up to 150 lm/ W
- Fixtures are suitable for use in ambients from -40°C to 50°C (-40°F to 122°F)
- Wet Location listed

LUMENS	31000L/36000/45000L
WATTAGE	291W/238W/199W
CCT	30K/40K/50K
CRI	80+ Standard
VOLTAGE	120-277V
POWER FREQUENCY	50/60Hz
COLOR QUALITY	3 Step MacAdam Ellipse
MOUNTING	Arm Mount (AM), Yoke Mount (YM), Flange Mount (FM)
DIMMING	Dim10 (0-10 dimming)
FINISH	Dark Bronze, White, Black
APPLICATION ENVIRONMENT	Wet Location (IP65)
WORKING TEMPERATURE	-40°C to 50°C (-40°F - + 122°F)
LIFETIME	L70 at 50,000 Hours
EPA RATING	0.98FT²
PHOTOMETRIC TESTS	In Accordance with IES LM79-08, LM80 and TM-30, TM-21



OPTICS

- Adjustable color temperature (3000K&4000K&5000K).
- Scalable Lumen Packages from 45,000 Lumens.
- Anti-UV prismatic translucent len is designed to shape the light distribution and uniformity

CONSTRUCTION

- Sealed die-casting profile for outdoor applications.
- Casting thermally conducts LED heat to optimize performance and long life.
- Suitable for applications requiring 3G testing prescribed by ANSI C136.31.

MOUNTING

The product is supplied with a standard Arm Mount (AM) for mounting. Additionally, users have the flexibility to choose from alternative mounting options, including Yoke Mount (YM), and Flange Mount (FM), providing versatile installation solutions to meet specific requirements.

DRIVER ELECTRICAL INFORMATION

- Universal 120-277 VAC input voltage.
- 0-10V Dimming.
- Both drivers have a power factor >90%, THD <20%.
- Operating Temperature Range: -40°C to 50°C (-40°F - + 122°F)

WARRANTY

Five-year warranty for parts and components (labor not included).

LISTING

c-UL-us Listed for Feed Through Wiring.
Listed for DLC, California Title 24 compliant.



AM



YM



FM

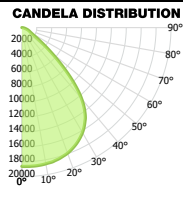
Example: OFL-502-LED-31000L/36000L/45000L-DIM10-MVOLT-30K/40K/50K-BZ

OFL-502-LED						
SERIES	LUMENS	DIMMING	VOLTAGE	CCT	MOUNTING	FINISH
OFL-502-LED	31000L/36000L/45000L	DIM10 - 0-10V Dimming	120-277V	30K/40K/50K	AM - Arm Mount <i>Standard</i> YM - Yoke Mount FM - Flange Mount <i>Optional (Sold Seperate)</i>	WH - White BK - Black BZ - Bronze

OFL-502-LED-31000L-36000L-45000L-DIM10-MVOLT-30K-40K-50K-BZ(31000L)

TEST NO.: **EL01082420**

INPUT WATTS: **198.5** LUMENS: **32588** EFFICACY: **164** BEAM ANGLE: **83** SPACING CRITERIA: **1.27**



CANDELA TABLE

	0°	90°
0°	18601	18601
10°	18541	18268
20°	17919	17501
30°	16249	15974
40°	12462	11578
50°	5004	3403
60°	1465	1042
70°	786	516
80°	234	148
90°	5	0

LUMINANCE (cd/sq.m)

	0.00°	90.00°
0°	0.00	0
10°	45.00	0
20°	55.00	0
30°	65.00	0
40°	75.00	0
50°	85.00	0
60°		
70°		
80°		
90°		

LUMENS PER ZONE

ZONE	LUMENS
0° - 10°	1769
10° - 20°	5096
20° - 30°	7756
30° - 40°	8801
40° - 50°	5941
50° - 60°	1882
60° - 70°	736
70° - 80°	298
80° - 90°	44

ZONAL LUMEN SUMMARY

ZONE	UMENS	% LUMINAIRE
0° - 20°	6865	21%
0° - 30°	14621	45%
0° - 40°	23422	72%
0° - 60°	31245	96%
0° - 80°	32279	99%
0° - 90°	32324	99%

CONE OF LIGHT

MOUNTING HEIGHT	FC AT BEAM CENTER	BEAM DIA. 0°-180°	BEAM DIA. 90°-270°
6.0 ft	516.7 fc	10.6 ft	11.5 ft
8.0 ft	290.6 fc	14.2 ft	15.4 ft
10.0 ft	186.0 fc	17.7 ft	19.2 ft
12.0 ft	129.2 fc	21.2 ft	23.1 ft
14.0 ft	94.9 fc	24.8 ft	26.9 ft
16.0 ft	72.7 fc	28.3 ft	30.8 ft
18.0 ft	57.4 fc	31.9 ft	34.6 ft
20.0 ft	46.5 fc	35.4 ft	38.5 ft

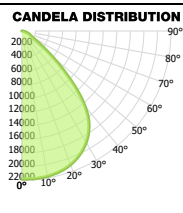
INDOOR COEFFICIENTS OF UTILIZATION

pf	20%																0%		
	pc	80%				70%				50%				30%				0%	
		pw	70%	50%	30%	10%	70%	50%	30%	10%	50%	30%	10%	50%	30%	10%			
0	119	119	119	119	116	116	116	116	111	111	111	106	106	106	106	101	101	101	99
1	112	109	106	103	109	106	104	101	102	100	98	98	96	95	94	93	92	90	
2	105	99	94	90	102	97	92	88	93	90	86	90	87	84	87	85	82	81	
3	98	90	84	79	95	88	83	78	85	81	77	83	79	75	80	77	74	72	
4	91	82	75	70	89	81	74	69	78	73	68	76	71	68	74	70	67	65	
5	85	75	68	63	83	74	67	62	72	66	62	70	65	61	68	64	60	58	
6	80	69	62	56	78	68	61	56	66	60	56	65	59	55	63	58	55	53	
7	75	63	56	51	73	63	56	51	61	55	50	60	54	50	58	53	50	48	
8	70	59	51	46	69	58	51	46	57	50	46	55	50	46	54	49	45	44	
9	66	54	47	42	65	54	47	42	53	46	42	52	46	42	51	45	42	40	
10	62	50	44	39	61	50	43	39	49	43	39	48	42	39	47	42	38	37	

OFL-502-LED-31000L-36000L-45000L-DIM10-MVOLT-30K-40K-50K-BZ(36000L)

TEST NO.: **EL01082420**

INPUT WATTS: **237.6** LUMENS: **38059** EFFICACY: **160** BEAM ANGLE: **82** SPACING CRITERIA: **1.27**



CANDELA TABLE

	0°	90°
0°	21831	21831
10°	21764	21437
20°	20979	20487
30°	18974	18650
40°	14482	13462
50°	5783	3922
60°	1739	1243
70°	948	617
80°	288	179
90°	10	0

LUMINANCE (cd/sq.m)

	0.00°	90.00°
0°	0.00	0
10°	45.00	0
20°	55.00	0
30°	65.00	0
40°	75.00	0
50°	85.00	0
60°		
70°		
80°		
90°		

LUMENS PER ZONE

ZONE	LUMENS
0° - 10°	2076
10° - 20°	5973
20° - 30°	9076
30° - 40°	10254
40° - 50°	6875
50° - 60°	2202
60° - 70°	882
70° - 80°	359
80° - 90°	54

ZONAL LUMEN SUMMARY

ZONE	UMENS	% LUMINAIRE
0° - 20°	8049	21%
0° - 30°	17125	45%
0° - 40°	27379	72%
0° - 60°	36456	96%
0° - 80°	37697	99%
0° - 90°	37750	99%

CONE OF LIGHT

MOUNTING HEIGHT	FC AT BEAM CENTER	BEAM DIA. 0°-180°	BEAM DIA. 90°-270°
6.0 ft	606.4 fc	10.6 ft	11.5 ft
8.0 ft	341.1 fc	14.1 ft	15.3 ft
10.0 ft	218.3 fc	17.6 ft	19.1 ft
12.0 ft	151.6 fc	21.1 ft	23.0 ft
14.0 ft	111.4 fc	24.6 ft	26.8 ft
16.0 ft	85.3 fc	28.2 ft	30.6 ft
18.0 ft	67.4 fc	31.7 ft	34.4 ft
20.0 ft	54.6 fc	35.2 ft	38.3 ft

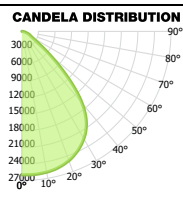
INDOOR COEFFICIENTS OF UTILIZATION

pf	20%																0%		
	pc	80%				70%				50%				30%				0%	
		pw	70%	50%	30%	10%	70%	50%	30%	10%	50%	30%	10%	50%	30%	10%			
0	119	119	119	119	116	116	116	116	111	111	111	106	106	106	106	101	101	101	99
1	112	109	106	103	109	106	104	101	102	100	98	98	96	95	94	93	92	90	
2	105	99	94	90	102	97	92	88	93	90	86	90	87	84	87	85	82	81	
3	98	90	84	79	95	88	83	78	85	81	77	83	79	75	80	77	74	72	
4	91	82	75	70	89	81	74	69	78	73	68	76	71	68	74	70	67	65	
5	85	75	68	63	83	74	67	62	72	66	62	70	65	61	68	64	60	58	
6	80	69	62	56	78	68	61	56	66	60	56	65	59	55	63	58	55	53	
7	75	63	56	51	73	63	56	51	61	55	50	60	54	50	58	54	50	48	
8	70	59	51	46	69	58	51	46	57	50	46	55	50	46	54	49	45	44	
9	66	54	47	42	65	54	47	42	53	46	42	52	46	42	51	45	42	40	
10	62	50	44	39	61	50	43	39	49	43	39	48	43	39	47	42	38	37	

OFL-502-LED-31000L-36000L-45000L-DIM10-MVOLT-30K-40K-50K-BZ(45000L)

TEST NO.: **EL01082420**

INPUT WATTS: **290.7** LUMENS: **45201** EFFICACY: **155** BEAM ANGLE: **82** SPACING CRITERIA: **1.26**



CANDELA TABLE

	0°	90°
0°	25955	25955
10°	25872	25436
20°	24903	24358
30°	22424	22212
40°	16935	15875
50°	6698	4467
60°	2111	1394
70°	1158	704
80°	350	197
90°	12	2

LUMINANCE (cd/sq.m)

	0.00°	90.00°
0°	0.00	0
10°	45.00	0
20°	55.00	0
30°	65.00	0
40°	75.00	0
50°	85.00	0
60°		
70°		
80°		
90°		

LUMENS PER ZONE

ZONE	LUMENS
0° - 10°	2467
10° - 20°	7099
20° - 30°	10780
30° - 40°	12172
40° - 50°	8128
50° - 60°	2611
60° - 70°	1068
70° - 80°	437
80° - 90°	66

ZONAL LUMEN SUMMARY

ZONE	UMENS	% LUMINAIRE
0° - 20°	9567	21%
0° - 30°	20347	45%
0° - 40°	32519	72%
0° - 60°	43258	96%
0° - 80°	44763	99%
0° - 90°	44829	99%

CONE OF LIGHT

MOUNTING HEIGHT	FC AT BEAM CENTER	BEAM DIA. 0°-180°	BEAM DIA. 90°-270°
6.0 ft	721.0 fc	10.5 ft	11.5 ft
8.0 ft	405.5 fc	14.0 ft	15.4 ft
10.0 ft	259.5 fc	17.5 ft	19.2 ft
12.0 ft	180.2 fc	21.0 ft	23.1 ft
14.0 ft	132.4 fc	24.5 ft	26.9 ft
16.0 ft	101.4 fc	28.0 ft	30.8 ft
18.0 ft	80.1 fc	31.5 ft	34.6 ft
20.0 ft	64.9 fc	35.0 ft	38.5 ft

INDOOR COEFFICIENTS OF UTILIZATION

pf	20%																0%		
	pc	80%				70%				50%				30%				0%	
		pw	70%	50%	30%	10%	70%	50%	30%	10%	50%	30%	10%	50%	30%	10%			
0	119	119	119	119	116	116	116	116	111	111	111	106	106	106	106	101	101	101	99
1	112	109	105	103	109	106	104	101	102	100	98	98	96	95	94	93	92	90	
2	105	99	94	89	102	97	92	88	93	90	86	90	87	84	87	85	82	81	
3	98	90	84	79	95	88	83	78	85	81	77	83	79	75	80	77	74	72	
4	91	82	75	70	89	81	74	69	78	73	68	76	71	68	74	70	67	65	
5	85	75	68	63	83														