

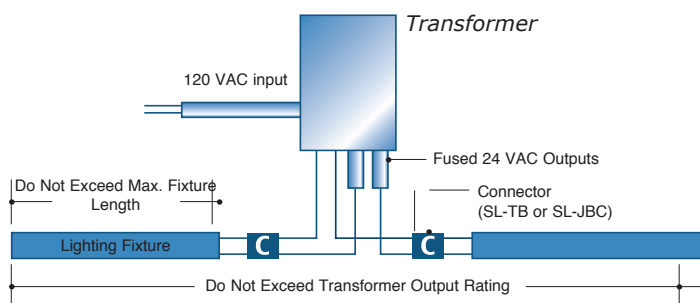
Max. Lamps /Circuit	5W/24V	10W/24V	1W/12V		
	96 Lamps	48 Lamps	LED		
Lamp Spacing	Maximum Lengths				
2.4" O.C.	9.6 FT.	19.2 FT.	4.8 FT.	9.6 FT.	80 FT.
3" O.C.	12 FT.	24 FT.	6 FT.	12 FT.	100 FT.
4" O.C.	16 FT.	32 FT.	8 FT.	16 FT.	133 FT.
6" O.C.	24 FT.	48 FT.	12 FT.	24 FT.	200 FT.

TRANSFORMER SPECIFICATION GUIDE

Requested wattage of transformer	= Lamp Wattage	X number of lamp/ft	X Length
	5W 10W	2.4" O.C. = 5 lamps 3" O.C. = 4 lamps 4" O.C. = 3 lamps 5" O.C. = 2.4 lamps 6" O.C. = 2 lamps	

Requested wattage of transformer	= Lamp Wattage	X number of lamp/ft	X Length
150W	5W	4" O.C. = 3 LAMPS	10'

WIRING DIAGRAM



In designing a lighting system, consideration must be given to the following points:

1. Maximum length of each fixture run
2. Output load of each transformer circuit
3. Total load of transformer.

To avoid a voltage drop, long runs of the product can only be maintained by centrally locating the transformer and feeding fixtures on either side.

MAXIMUM FIXTURE SIZE

The maximum capacity of a fixture must not exceed 20 amps (480 watts @ 24 volts and 240 watts @ 12 volts). If a run length exceeds these limitations, then it should only be provided by multiple fixtures. Each fixture would then require an independent feed running to the transformer. Additionally, fixtures using 5-watt and 10-watt lamps 6" on center are further restricted in length to prevent excessive drops in voltage. Please call our technical department for more details.

TRANSFORMERS



Transformers are UL- and CUL-listed for use with lighting fixtures. These transformers are for use with 120/240 VAC/60 Hz input. The 24/12 volt secondary outputs are protected by resettable breakers. The appropriate transformer can easily be determined by multiplying the number of lamps by the watts per lamp. For larger transformers (ODX-750S, ODC-750S, ODX-1000 and ODX-1200X), consideration should be given to the maximum capacity of each fused output. Capacities shown are conservative underestimates by approximately 10%.



Part#	Type	Output(12v)	Output(24V)	Approximate Sizes and Weight			
				Depth	Height	Width	Weight
EV24-150	Magnetic	1@150 watts	1@150 watts	3"	8"	4-3/16"	14 lbs.
EV24-200	Magnetic	1@200 watts	1@200 watts	3"	8"	4-3/16"	14 lbs.
ODC-250S	Magnetic	1@250 watts		3-3/8"	8-1/16"	4-3/16"	16 lbs.
ODX-250S-24	Magnetic		1@250 watts	3-3/8"	8-1/16"	4-3/16"	16 lbs.
EV24-300	Magnetic	1@300 watts	1@300 watts	3-3/8"	8-1/16"	4-3/16"	16 lbs.
ODX-500	Magnetic	2@250 watts	1@500 watts	4-1/4"	9-7/16"	4-11/16"	20 lbs.
ODX-600S	Magnetic	2@300 watts	1@600 watts	4-1/4"	9-7/16"	4-11/16"	20 lbs.
ODC-750S	Magnetic	3@250 watts		4-1/4"	9-7/16"	4-11/16"	28 lbs.
ODX-750S-24	Magnetic		2@375 watts	4-1/4"	9-7/16"	4-11/16"	28 lbs.
ODX-1000	Magnetic	4@250 watts	2@500 watts	4-15/32"	8-13/32"	7-13/16"	32 lbs.
ODX-1200S	Magnetic	4@300 watts	2@600 watts	5-7/16"	10-9/16"	6-3/4"	35 lbs.

MAXIMUM FIXTURE SIZE

LAMP SPACING	2.4" O.C.	3" O.C.	4" O.C.	6" O.C.
NUMBER OF LAMPS/FOOT	5	4	3	2
MAX. LENGTH @ 24V 1W	96'	120'	150'	150'
MAX. WATTAGE @ 24V 1W	480	480	480	480
MAX. LENGTH @ 12V 1W	48'	60'	75'	75'
MAX. WATTAGE @ 12V 1W	240	240	240	240
MAX. LAMPS/CIRCUIT @ 24V 1W	480	480	550	300

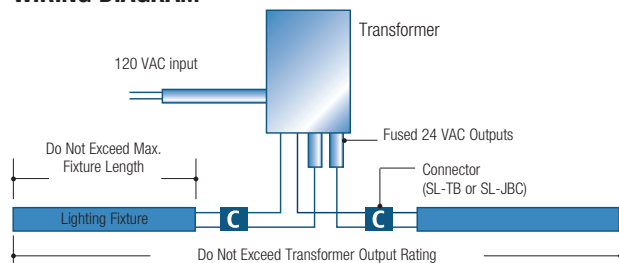
The maximum capacity of a fixture must not exceed 20 amps (480 Watts @ 24 Volts). If a run length exceeds these limitations, then it should only be provided by multiple fixtures. Each fixture would then require an independent feed running to the transformer. Additionally, fixtures using 6" on center are further restricted in size to prevent excessive drops in voltage. Please call our technical department for more details.

APPROXIMATE SIZES AND WEIGHT

Part#	Type	Output(12V/24V)	Depth	Height	Width	Weight
EV24-150*	Magnetic	1@150 Watts	2-15/16"	7-9/16"	3-1/16"	10 lbs.
EV24-200*	Magnetic	1@200 Watts	2-15/16"	7-9/16"	3-1/16"	12 lbs.
ODX-250S-24*	Magnetic	1@250 Watts	3-3/8"	8-1/16"	4-3/16"	16 lbs.
EV24-300*	Magnetic	1@300 Watts	3-3/8"	8-1/16"	4-3/16"	16 lbs.
ODX-500*	Magnetic	1@500 Watts	4-1/4"	9-7/16"	4-11/16"	20 lbs.
ODX-600S*	Magnetic	1@600 Watts	4-1/4"	9-7/16"	4-11/16"	20 lbs.
ODX-750S-24*	Magnetic	2@375 Watts	4-1/4"	9-7/16"	4-11/16"	28 lbs.
ODX-1000*	Magnetic	2@500 Watts	4-15/32"	8-13/32"	7-13/16"	32 lbs.
ODX-1200S*	Magnetic	2@600 Watts	5-7/16"	10-9/16"	6-3/4"	35 lbs.

*277V available upon request

WIRING DIAGRAM



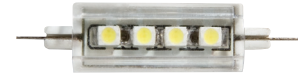
TRANSFORMER SPECIFICATION GUIDE

Requested wattage of transformer	= Lamp Wattage	x number of lamp/ft	x Length
150W	1W	2.4" O.C. = 5 lamps	
	1.8W	3" O.C. = 4 lamps	
		4" O.C. = 3 lamps	
		5" O.C. = 2.4 lamps	
		6" O.C. = 2 lamps	

USE FORMULA TO DETERMINE WHICH TRANSFORMER TO USE

Requested wattage of transformer	= Lamp Wattage	x number of lamp/ft	x Length
150W	1W	4" O.C. = 3 lamps	50'

SL1



SL2



SL3



REPLACEMENT LAMPS FOR EXISTING RIGID LOOP 24V COVE LIGHTING SYSTEMS (OR ELITE SL1 SYSTEM)

CATALOG	WATTAGE	VOLTAGE	COLOR
SL1-LED-NW-12	1W	12V	30K
SL1-LED-CW-12	1W	12V	41K
SL1-LED-NW-24	1W	24V	30K
SL1-LED-CW-24	1W	24V	41K

REPLACEMENT LAMPS FOR EXISTING FESTOON 24V COVE LIGHTING SYSTEMS (OR ELITE SL2 SYSTEM)

CATALOG	WATTAGE	VOLTAGE	COLOR
SL2-LED-NW-12	1W	12V	30K
SL2-LED-CW-12	1W	12V	41K
SL2-LED-NW-24	1W	24V	30K
SL2-LED-CW-24	1W	24V	41K

REPLACEMENT LAMPS FOR EXISTING FESTOON 24V COVE LIGHTING SYSTEMS (OR ELITE SL3 SYSTEM)

CATALOG	WATTAGE	VOLTAGE	COLOR
SL3-LED-WW-12	1.8W	12V	27K
SL3-LED-CW-12	1.8W	12V	41K
SL3-LED-WW-24	1.8W	24V	27K
SL3-LED-CW-24	1.8W	24V	41K

LED
LINIA

SL-LED ASYMMETRICAL LINIA COVE LED MODULES

LET-250-12V-AC

DESCRIPTION: This quiet 250W-120V electronic step-down transformer is designed to be used with low voltage lighting systems and is protected against overload, short circuit and over heat and has a 4 year guarantee.

SPECIFICATIONS:

INPUT	120V 60Hz
OUTPUT AT MAX. LOAD	11.5V 40kHz
MAXIMUM LOAD	250W
MINIMUM LOAD W/O DIMMER	50W
MINIMUM LOAD WITH DIMMER	50W
INPUT CURRENT AT MAXIMUM LOAD	2.1A
OUTPUT CURRENT AT MAXIMUM LOAD	21A
POWER FACTOR MIN.	0.95
DIMMABLE	✓
AVAILABLE COLORS:	
● BLACK ○ WHITE	



MAGNETIC TRANSFORMER

DESCRIPTION: Transformers are UL- and CUL-listed for use with lighting fixtures. These transformers are for use with 120/240 VAC/60 Hz input. The 24/12 volt secondary outputs are protected by inherent resettable breakers. The appropriate transformer can easily be determined by multiplying the number of lamps by the watts per lamp. For larger transformers (ODX-750S, ODC-750S, ODX-1000 and ODX-1200X), consideration should be given to the maximum capacity of each fused output. Capacities shown are conservative underestimates by approximately 10%.



CAT#	Type	Output(12v)	Output(24v)	Depth	Height	Width	Weight
EV24-150	Magnetic	1@150 watts	1@150 watts	2-15/16"	7-9/16"	3-1/16"	10 lbs.
EV24-200	Magnetic	1@200 watts	1@200 watts	2-15/16"	7-9/16"	3-1/16"	12 lbs.
ODC-250S	Magnetic	1@250 watts	1@250 watts	3-3/8"	8-1/16"	4-3/16"	16 lbs.
ODX-250S-24	Magnetic	-----	1@250 watts	3-3/8"	8-1/16"	4-3/16"	16 lbs.
EV24-300	Magnetic	1@300 watts	1@300 watts	3-3/8"	8-1/16"	4-3/16"	16 lbs.
ODX-500	Magnetic	2@250 watts	1@300 watts	4-1/4"	9-7/16"	4-11/16"	20 lbs.
ODX-600S	Magnetic	2@300 watts	1@500 watts	4-1/4"	9-7/16"	4-11/16"	20 lbs.
ODC-750S	Magnetic	3@250 watts	1@600 watts	4-1/4"	9-7/16"	4-11/16"	28 lbs.
ODX-750S-24	Magnetic	-----	2@375 watts	4-1/4"	9-7/16"	4-11/16"	28 lbs.
ODX-1000	Magnetic	4@250 watts	2@500 watts	5-7/16"	10-9/16"	6-3/4"	35 lbs.
ODX-1200S	Magnetic	4@300 watts	2@600 watts	5-7/16"	10-9/16"	6-3/4"	35 lbs.