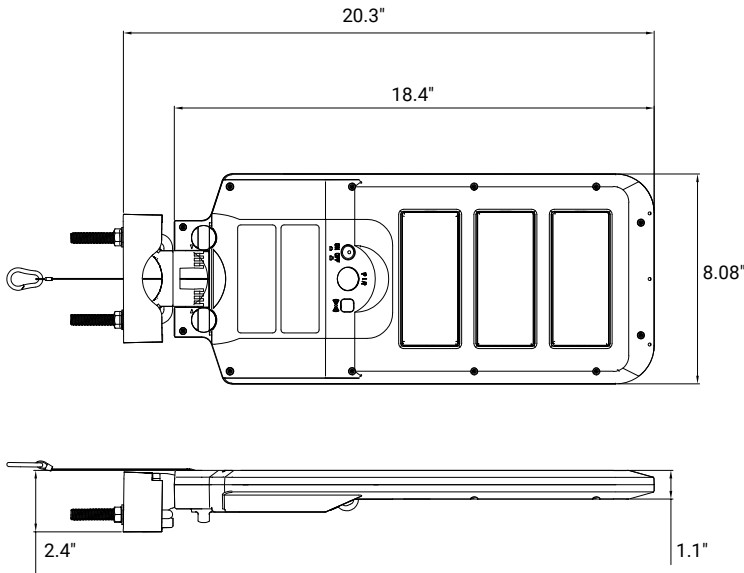


DIMENSIONS



ADJUSTABLE OPTICS



MOUNTING OPTIONS (No wiring needed)



FEATURES

This all-in-one area floodlight helps bring the safety and security of ultra-bright illumination to commercial and residential properties. It comes with tilting optics and an efficient and rechargeable Li-Ion solar battery that allows for low cost, reliable, all-weather lighting. An integrated PIR motion sensor with 3 custom sensing and dusk-to-dawn modes makes keeping dark areas well-lit easy, even without supervision and in off-grid or rural areas with little wiring opportunities. Includes straightforward pole or wall mounting options up to 16 ft, and durable, IP65 rated, weather resistant PC+ABS housing for long-term and practical outdoor use.

LUMENS	3000, and 4500 Lumens
CCT	50K
CRI	70*
SOLAR PANEL	5.5V/5Wp
MOUNTING	Pole Mount, Wall Mount
BATTERY	3.7V/4400mAh
HOUSING MATERIAL	PC+ABS
DISTRIBUTION	IESNA TYPE V
SENSOR & CONTROL	Motion Mode, Dusk-to-dawn mode, Motion + Dusk-to-dawn mode
IP RATING	IP65
FINISH	Bronze
WORKING TEMPERATURE	32°F (0°C) to 104°F (40°C)
LIFETIME	LM80 & TM21 at 100,000 Hours

*Off grid solar powered lights often have lower color rendering index (CRI) and color temperature (CCT) to balance power consumption and battery capacity.

B	U	G
2	2	1

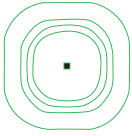
BUG (BACKLIGHT, UPLIGHT, GLARE) RATING

Bug ratings help determine whether outdoor luminaires meet local light pollution codes.

RATING

IP65 Rated - Suitable for outdoor applications. and water exposure. Fire-rated UL94V-0 for flame resistance.





DISTRIBUTION

IESNA Type V distribution produces a symmetrical circular or square pattern that distributes light equally on all sides of the luminaire. Ideal for large dark areas like lots or commercial parking areas.

CONSTRUCTION

Lightweight, high impact, and UV resistant polycarbonate (PC) and acrylonitrile butadiene styrene (ABS) housing
Low profile, 3G vibration rated compact design minimizes wind load requirements
Housing is completely sealed against moisture and environmental contaminants

ACCESSORIES

1 x Remote control included (requires 2 x AAA batteries) 1 x Wall mount kit, which includes a wall mount bracket. Wall mount bracket can also be used as a pole mount, for poles up to 2" in diameter. Pole not included.

INSTALLATION

For Wall Mounting: use 2 lag screws and washers to attach mounting bracket to wall. See Installation sheet for more detail.

For round pole installation: having acquired a standard 2" pole (not included), unlock the two screws at fixture base and separate fixture from the mounting bracket. Then use the provided U-bolt and provided hardware to position the pole. See Installation sheet for more detail.

SENSOR & CONTROL

Integrated PIR motion sensor features a wide 120° detection range and a maximum detection distance of 20 feet. It offers three distinct operating modes, which can be configured using the included RF remote control.

Modes include Motion Mode, Dusk to Dawn Mode, and Motion + Dusk to Dawn Mode.

Additionally, Auto Time Out durations of 30, 60, or 90 seconds can be set when using the Motion Mode, to ensure efficient energy use. The brightness levels adjust according to the selected mode.

The RF Remote control has a maximum range of 25 feet.

ELECTRICAL

Features a 90-minute continuous runtime on a full charge in motion mode 12 Hours continuous runtime on a full charge in D2D mode
11 Hours and 30-minute continuous runtime on a full charge in motion mode + DTD mode

BATTERY

Li-On battery recharge time: 8 hours in full direct sunlight.
Remote control battery: 2x AAA batteries.

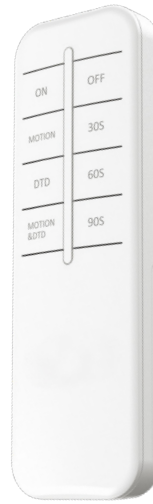
WARRANTY

1-year limited warranty for parts and components (labor not included).

LISTING

FIRE-RATED UL94-V0

Li-Ion battery certified IEC62133, IEC62619, and UL-1642 for safety and reliability.



Remote Control Included

REMOTE CONTROL SETTINGS:

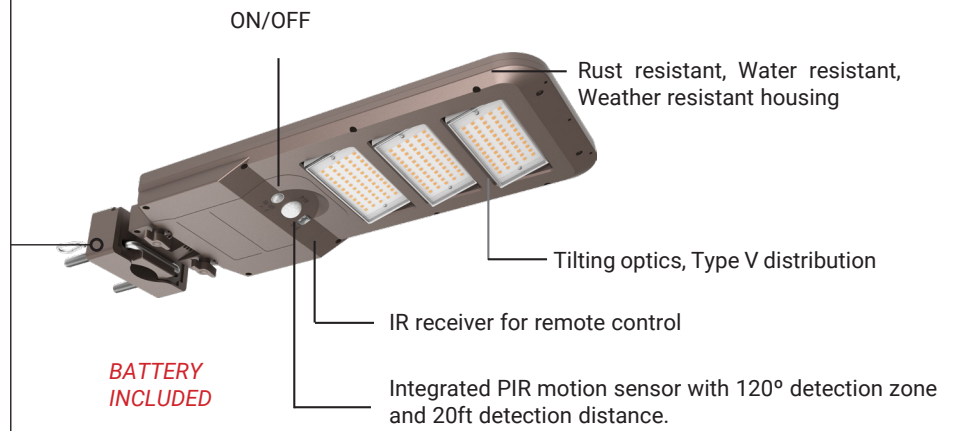
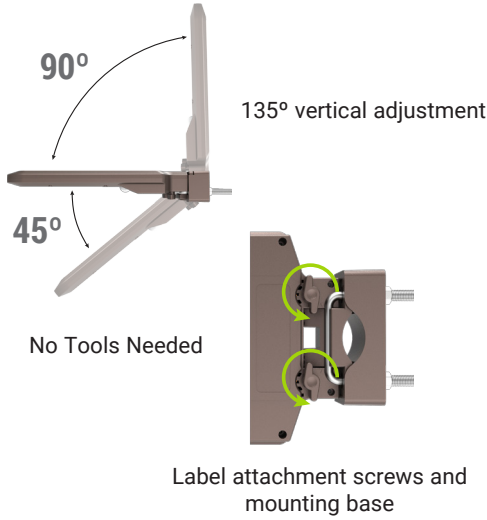
1. When the luminaire is switched OFF or "dormant" it can be charged, but not used.
2. ON: after turning the luminaire ON via remote control, it will be in default DTD mode.
3. MOTION: when the luminaire enters MOTION mode, it turns on at maximum lumens when motion is detected. Press "30s/60s/90s" respectively to adjust the desired amount of time the light holds before turning off, after motion ends.
4. DTD: after sundown the luminaire enters constant light mode at 12% power for maximum 12 hours a night.
5. MOTION&DTD: after sundown the luminaire enters constant light mode at 8% power for 12 hours a night. Throughout the night, when motion is detected, the light goes on at 30% power, then returns to 8% when motion is no longer sensed. Light hold time also adjustable by "30s/60s/90s", respectively.

SEE NEXT PAGE -->

Example: **OAL-SP-205-LED-3000L-50K-T5D-BZ**

OAL-SP-205-LED				
SERIES	LUMENS	CCT	DISTRIBUTION	FINISH
OAL-SP-205-LED LED SOLAR AREA LIGHT	3000L 4500L	50K	T5D - Type V	BZ - Bronze

FEATURES



LUMINAIRE FUNCTION DESCRIPTION

DUSK TO DAWM (DTD)		MOTION DETECTION AT 100% BRIGHTNESS FOR (30,60 or 90S)	
<p>12% BRIGHTNESS 12Hrs</p>	<p>100% BRIGHTNESS 1.5Hrs LIGHT GOES OFF AFTER MOTION IS NO LONGER DETECTED.</p>		
DTD + MOTION DETECTION: 8% LIGHT WHEN NO MOTION IS DETECTED & 30% BRIGHTNESS FOR (30,60 or 90S) WHEN MOTION IS DETECTED			
<p>8% BRIGHTNESS DTD 11.5Hrs</p>	<p>30% BRIGHTNESS MOTION 0.5Hrs</p>	<p>8% BRIGHTNESS</p>	

Functional mode	Remote control button	Function description
The mechanical switch of the fixture body is turned on	OFF	-
	ON	After pressing ON in the remote control, the Luminaire wakes up to the default DTD mode. 100% of the luminaire is on when motion is detected, and off after 30 seconds when people leave.
	MOTION	The luminaire enters the MOTION mode, press "30s/60s/90s" respectively to adjust the desired hold time.
	DTD	12% brightness working for 12 hours
	DTD+MOTION	The luminaire enters constant light mode. At night, when motion is detected, light goes on at 30% lumen level. It goes down to 8% when motion is no longer sensed. Optional: Press "30s/60s/90s" and the hold time will change to 30s, 60s or 90s, respectively.
The mechanical switch of the lamp body is turned off	The Luminaire is powered off, all functions are turned off, and the Luminaire cannot accept any commands from the remote control	

Description of indicator lights

State	RED	GREEN	Load White
Charging (Lithium battery power 10%-90%)	Not bright	Flicker	Close
Charging is complete (lithium battery power > 90%)	Not bright	Always on	Maintain status
Discharge (Lithium battery power 10%-90%)	Not bright	Not bright	Maintain status
Lithium battery (<10%)	Always on	Not bright	Maintain status
Motion mode	Maintain status	Maintain status	Flicker 1 time
D2D mode	Maintain status	Maintain status	Flicker 2 times
Motion+ D2D mode	Maintain status	Maintain status	Flicker 3 times