



**FEATURES**

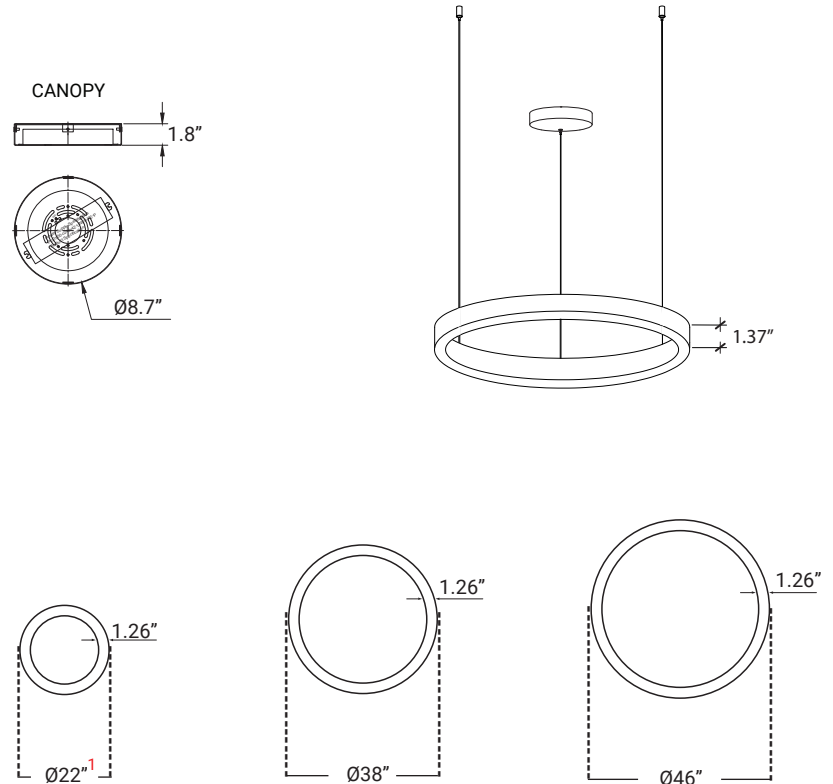
Introducing our **Decorative Nova Round Pendant LED**, a true blend of elegance and functionality. This innovative lighting fixture is designed to redefine the way you experience lighting in your space. **Crafted with precision and artistry**, this pendant is a testament to modern aesthetics and high-quality materials. The combination of premium **silicone and high-quality aluminum** ensures a captivating appearance and lasting durability.

Choose from four captivating colors – **Gold, Black, White, and Silver** to seamlessly complement any interior style. With the **Decorative Nova Round Pendant LED**, you are not just adding light; you are **elevating** your space with a blend of style and advanced technology that transforms mere lighting into an **artful experience**.

**COLORS**



**DIMENSIONS**



1. Luminaire with a diameter of 22" comes with a Ø7.9" canopy.

<b>LUMENS</b>	2500L / 4500L / 5500L
<b>CCT</b>	3000K, 3500K, 4000K
<b>CRI</b>	90+
<b>POWER</b>	50W / 80W / 100W
<b>DIMENSIONS</b>	22" / 38" / 46" / Ø Diameter
<b>MOUNTING</b>	Suspended Mount (Adjustable 10-ft length cords)
<b>IP RATING</b>	IP 20
<b>COLOR</b>	Gold / Black / White / Silver
<b>DIMMING</b>	Dimmable
<b>LIFE TIME</b>	L70 at 50,000 hours
<b>MATERIAL</b>	Aluminum + Silicone

LUMENS	WATTS
2500	50W
4500	80W
5500	100W



**OPTICS & PERFORMANCE**

Meticulously designed with evenly spaced LEDs to provide a uniform, glare-free illumination reminiscent of a luminous halo. This ingenious technology minimizes glare and eradicates any hot spots, granting you unrivaled light control. Complementing this innovation, our one-piece diffuser disperses light evenly in every direction, resulting in a seamless and ambient glow that transforms your environment into a captivating haven of illumination.

**CONSTRUCTION**

Indulge in the sleek allure of our LED lighting system, where an impeccably crafted aluminum body and seamlessly integrated one-piece diffuser coalesce to form a strikingly contemporary design. This luminaire, artfully constructed with a combination of premium silicone, and high-quality aluminum materials, exemplifies modern aesthetics and high-quality durability.

Engineered to perfection, our cutting-edge lighting solution includes essential features such as aircraft cable and an integral driver, ensuring effortless installation and impeccable performance. With its seamless combination of form and function, this LED masterpiece delivers unparalleled illumination, creating an ambiance of refined elegance and technical prowess that complements any modern setting. Elevate your space with the artistry of lighting, where innovative design meets impeccable engineering for a truly transformative experience.

**MOUNTING**

Suspended mount option. Delivered with adjustable 10-ft length cords, our pendant mount provides the flexibility you need for a seamless installation. Engineered to accommodate various mounting heights and ceiling types, including sloped ceilings, this lighting solution offers adaptability to suit any space.

For added convenience, our canopy can be directly mounted to the junction box, facilitating below-ceiling access for easy maintenance and servicing.

**ELECTRICAL**

Powered by high-quality constant-current power LED drivers rated for 50 to 60Hz at 120V input, produce less than 20% THD, and have a power factor between 0.90 and 1.00. LED driver compat-

**DIMMING & DRIVER INFORMATION**

DIM10 Flicker Free 1% Dimming Standard (DIM10) 0-10V dimming on either MVOLT 120 or 277V. 347V please consult factory.

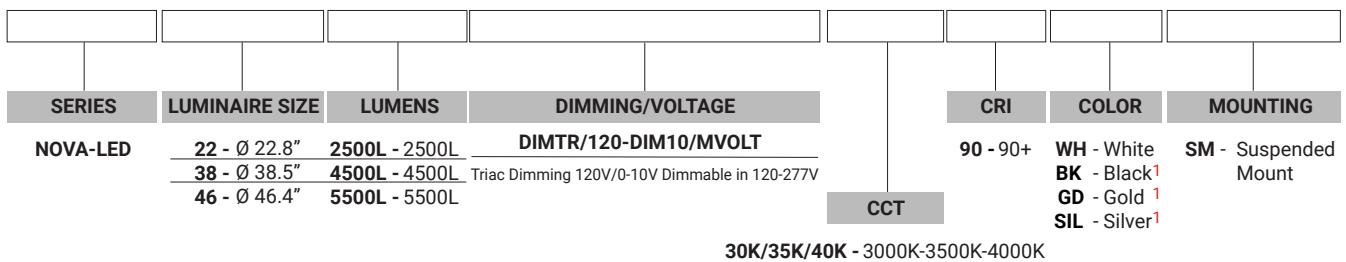
**WARRANTY**

Five-year warranty for parts and components. (Labor not included)

**LISTINGS**

ETL: certification for product safety by Intertek.  
RoHS: Directive restricting hazardous substances in electronics.  
RED: regulation for chemicals impact on health and environment.  
ErP: regulation for eco-design of energy-related products.

Example: NOVA-LED-22-2500L-DIMTR/120-DIM10/MVOLT-30K/35K/40K-90-WH-SM



<sup>1</sup>.MOQ (minimum order quantity) required for these color options, please consult factory.

