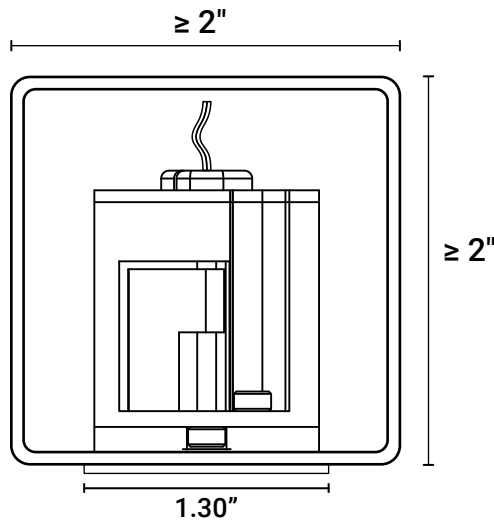
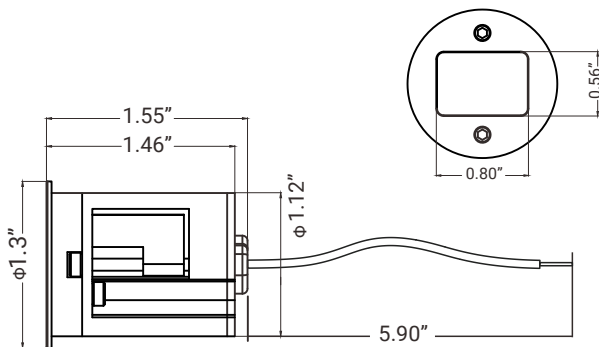




**S29 DOT MODULES**



**Dimensions**



**FEATURES**

S29 Dot Modules provide discrete, low-glare illumination to improve egress safety, giving occupants confidence in taking their next step. Designed for long-term outdoor service, each module features IP67 ingress protection to seal out water, dust, and dirt. Two optic distributions are available—a 45° asymmetric for targeted delivery and a 90° symmetric for wider coverage.

LUMENS	110L - 123L
CCT	27K/30K/35K/40K
DIMMING	Fixed Output
CRI	90+ CRI
VOLTAGE	24v DC - Constant Voltage
IP RATING	IP 67
BEAM PATTERNS	90° Symmetric / 45° Asymmetric
WORKING TEMPERATURE	-4° F to 113° F
LIFETIME	50,000 hour LED lifespan

#### OPTICS

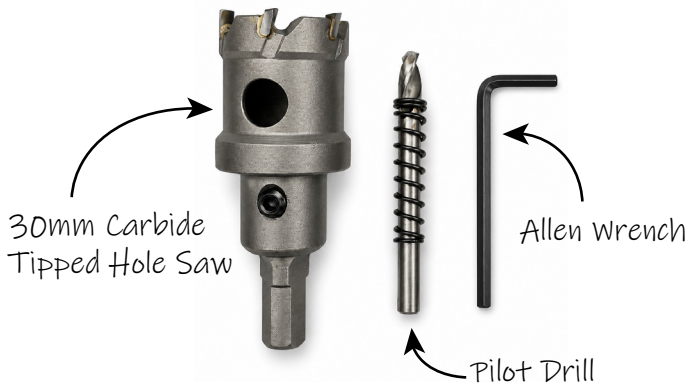
S29 LED modules utilize an acrylic optic a specular white internal reflector to maximize optical efficiency and control beam distribution. A high-performance 3535 LED chip delivers consistent output through a lightly frosted aperture window, softening the source while reducing glare. Available beam options include a 90° wide flood for broad, even illumination and a 45° asymmetric distribution for controlled forward throw, making it suitable for applications where light needs to be directed precisely without unnecessary spill.

#### CONSTRUCTION

S29 modules are constructed from precision-machined aerospace-grade 6063 aluminum for strength, durability, and long-term performance in demanding environments. The housing is finished in a matte black powder coat, providing a clean architectural appearance while protecting against corrosion, weathering, and exposure to the elements. A thin precision-machined fascia allows for flush fitment, keeping the fixture concealed, unobtrusive, and nearly unnoticeable from direct view.

#### INSTALLATION

The drilling kit includes a 30mm carbide-tipped annular hole saw with pilot drill and allen wrench. Each module installs from below using an integrated jack-screw mechanism, securely locking the fixture in place without exposed fasteners .



\*Drilling Kit Sold Separately

#### DRIVERS

Power is provided by means of industry leading constant voltage LED drivers rated for universal power input from 120V to 277V at a frequency of 50-60Hz. Elite drivers produce less than 20% THD, and have a power factor of .90 to 1.00.

#### LISTINGS

UL Listed for Wet Location

cULus Listed for Wet Location

FCC 15 - EMI/RFI emission per FCC 47CFR part 15 at 120VAC or 277VAC

RoHS - Contains no mercury or lead and RoHS compliant

Photometric testing completed in accordance with IES LM-79 and TM-30 standards with calculated Life Time: L70 at 200,000 Hours


Qualifies for California Title 24 high-efficacy LED compliance

#### WARRANTY

Five-year warranty for parts and components (labor not included).

SERIES	OPTICS	POWER	CCT (90 CRI)	DRILLING KIT	DRIVER
<b>S29</b> - S29 Dot Square Profile	<b>S90</b> - Symmetric 90° <b>AS45</b> - Asymmetric 45°	1.5 - 1.5 Watt	<b>27K</b> - 2700K <b>30K</b> - 3000K <b>35K</b> - 3500K <b>40K</b> - 4000K	<b>DK</b> - Hole Saw + Accessories	<b>30W</b> - 30 Watt <b>60W</b> - 60 Watt <b>96W</b> - 96 Watt

**Photometric Data**

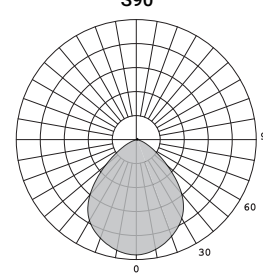


**MOD-M29-LED-S90**

4	5	7	7	8	8	7	7	5	4
6	9	12	13	14	14	13	11	9	6
8	13	17	19	20	20	19	17	13	8
8	13	17	19	20	20	19	17	13	8
6	10	12	13	14	14	13	11	9	6
4	6	7	8	8	8	7	6	5	3

Rail Height: 36"  
Module Spacing 1.0 ft.

**S90**




**90° Symmetric**

**DOT MODULES**  
4000K | 90 CRI | 24V

LED MODULE	BEAM ANGLE	LUMENS (lm)	POWER (W)
S90	90°	123	1.5

---

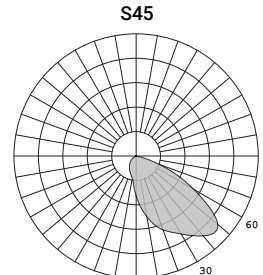


**MOD-M29-LED-S45**

2	2	2	2	2	2	2	2	2	1
2	3	4	4	4	4	4	4	3	2
4	5	7	7	8	8	7	6	5	3
7	11	14	15	16	16	15	14	10	6
8	13	16	18	18	18	18	15	12	7
7	10	13	14	15	14	12	10	6	

Rail Height: 36"  
Module Spacing 1.0 ft.

**S45**

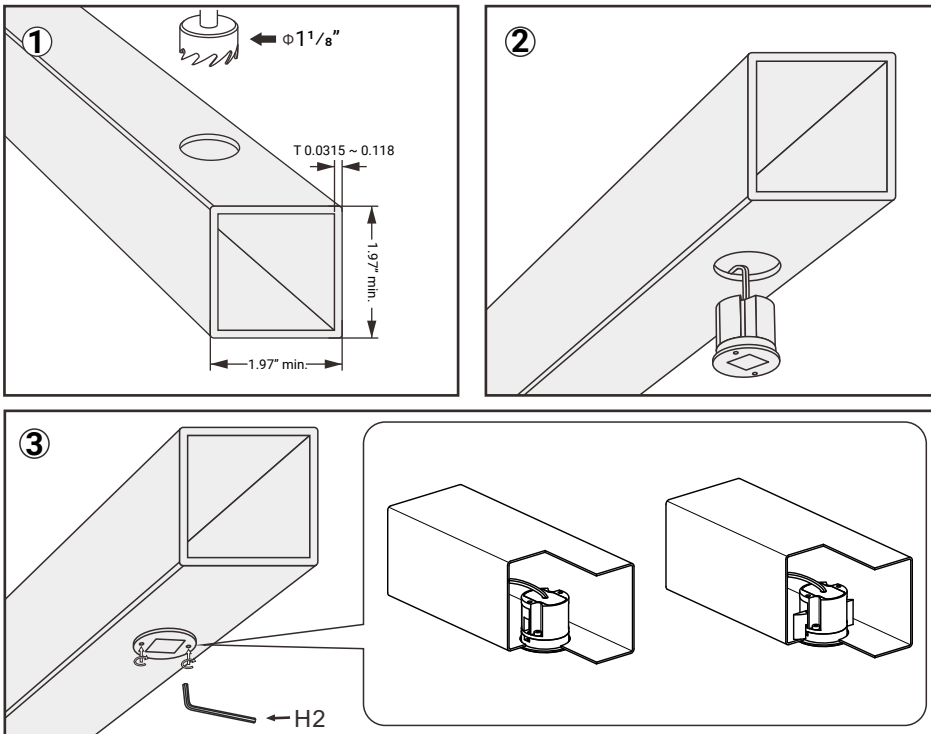


**45° Asymmetric**

**DOT MODULES**  
4000K | 90 CRI | 24V

LED MODULE	BEAM ANGLE	LUMENS (lm)	POWER (W)
S45	45°	110	1.5

**Installation Instructions**



1. Verify the handrail is a square tube at least 1.97" x 1.97" with wall thickness 0.032"–0.118"
2. Mark the hole locations on the handrail
3. Using a 1 1/8" diameter hole saw, drill an access hole in the face of the square tube
4. Make electrical connections and insert the LED module into the tube through the 1 1/8" hole
5. Position the flange so it sits flush over the opening
6. Use an H2 (2 mm) Allen key to tighten the small set screws on the flange assembly
7. Confirm the mechanism is fully seated and locked, with the plate flush and the connector stable