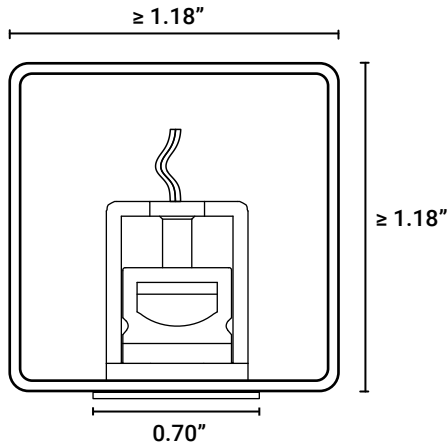
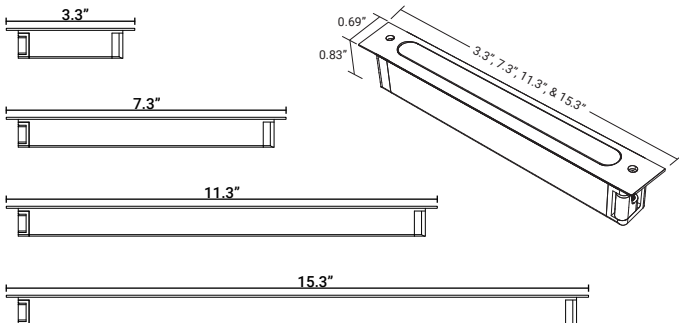


**S18S SLOT MODULES**



**Dimensions**



**FEATURES**

Slot modules cast a focused, downward glow to illuminate every step, minimizing missteps and providing clear visual guidance. Engineered for maximum visual comfort, these individual LED modules can be seamlessly retrofitted into square handrails greater than 1.18" in size, delivering a subtle radiance that remains entirely out of the direct line of sight. This precise downward beam eliminates glare and unwanted uplighting, curbing sky glow while ensuring pathways stay brightly defined.

LUMENS	35L - 245L
CCT	27K/30K/35K/40K
DIMMING	Fixed Output
CRI	90+ CRI
VOLTAGE	24v DC - Constant Voltage
IP RATING	IP 67
BEAM PATTERNS	Narrow 10° / Diffuse 110°
WORKING TEMPERATURE	-4° F to 113° F
LIFETIME	50,000 hour LED lifespan

#### OPTICS

Slot Modules deliver a focused, downward glow that defines each step and improves visibility along the path of travel. Optical options include a 110° diffuse soft glow for smooth, even illumination and a narrow 10° beam for casting light along the length of the handrail. The controlled downward output minimizes glare and upright while keeping the source out of direct view.

#### CONSTRUCTION

Each Slot Module uses an IP67 sealed light engine to protect internal components from moisture, dust, and outdoor exposure. The low-profile design integrates cleanly into square handrails while maintaining a discreet architectural appearance suited for both modern and traditional environments.

#### INSTALLATION

Slot Modules are designed for installation into square handrails greater than 1.18" in size. Each module secures from underneath the handrail using a jack screw mechanism, creating a clean installation without exposed fasteners on the top surface. Suitable for standard square handrails with wall thicknesses from 1/32" - 1/8".

#### DRIVERS

Power is provided by means of industry leading constant voltage LED drivers rated for universal power input from 120V to 277V at a frequency of 50-60Hz. Elite drivers produce less than 20% THD, and have a power factor of .90 to 1.00.

#### LISTINGS

UL Listed for Wet Location

cULus Listed for Wet Location

FCC 15 - EMI/RFI emission per FCC 47CFR part 15 at 120VAC or 277VAC

RoHS - Contains no mercury or lead and RoHS compliant

Photometric testing completed in accordance with IES LM-79 and TM-30 standards


Qualifies for California Title 24 high-efficacy LED compliance

#### WARRANTY

Five-year warranty for parts and components (labor not included).

SERIES	OPTICS	POWER	CCT (90 CRI)	DIMMING	DRIVER
<b>MOD-S18S-LED</b> S18S - S18S Slot Square Profile	S3 - 3" Diffuse S7 - 7" Diffuse S11 - 11" Diffuse S15 - 15" Diffuse S10 - Narrow 10°	2.5 - 2.5 Watt/ft <small>*10W/ft for S10 option</small>	27K - 2700K 30K - 3000K 35K - 3500K 40K - 4000K	DIM10 - 0-10V Dimming FO - Fixed Output	30W - 30 Watt 60W - 60 Watt 96W - 96 Watt

**Photometric Data**

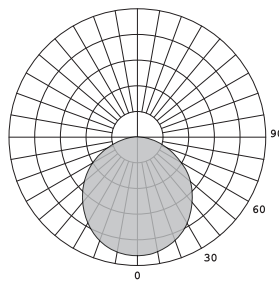


**MOD-S18S-LED-S7**

3	5	5	6	6	6	6	5	4	3
5	7	9	10	10	10	10	9	7	5
6	10	12	13	14	14	13	12	9	6
6	9	11	13	13	13	13	11	9	6
5	7	8	9	10	10	9	8	7	5
3	4	5	6	6	6	6	5	4	3

Rail Height: 36"  
Module Spacing 1.0 ft.

**S3/S7/S11/S15**




**110° Diffuse**

**SLOT MODULES**  
4000K | 90 CRI | 24V

LED MODULE	BEAM ANGLE	LENGTH (in)	LUMENS (lm)	POWER (W)
S3	110°	3.3	35	.5
S7	110°	7.3	105	1.5
S11	110°	11.3	175	2.5
S15	110°	15.3	245	3.5

---

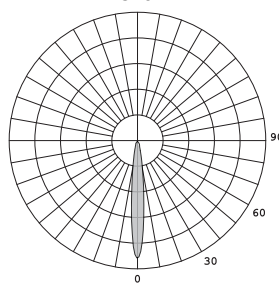


**MOD-S18S-LED-S10**

2	2	3	3	3	3	3	3	2	2
4	5	6	7	7	7	7	6	5	4
25	38	49	56	58	58	55	47	36	23
19	27	34	40	42	41	39	33	25	18
4	4	5	6	6	6	5	5	4	3
2	2	2	3	3	3	2	2	2	2

Rail Height: 36"  
Module Spacing 1.0 ft.

**S10**



**10° Narrow**

**SLOT MODULES**  
4000K | 90 CRI | 24V

LED MODULE	BEAM ANGLE	LENGTH (in)	LUMENS (lm)	POWER (W)
S10	10°	4.3	174	3.6

**LED Module Installation & Removal:**

\*Suitable for standard 1.18" x 1.18" square handrail and wall thickness of 1/32" - 1/8"

