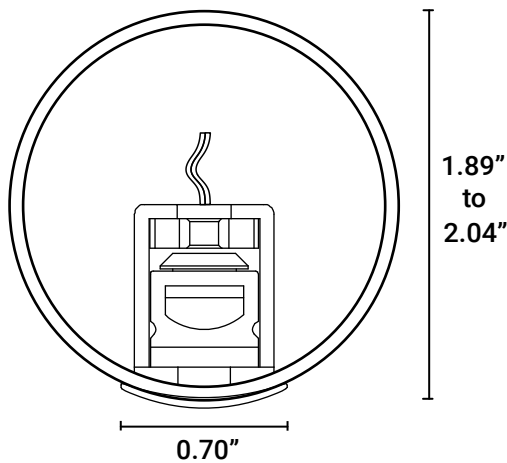
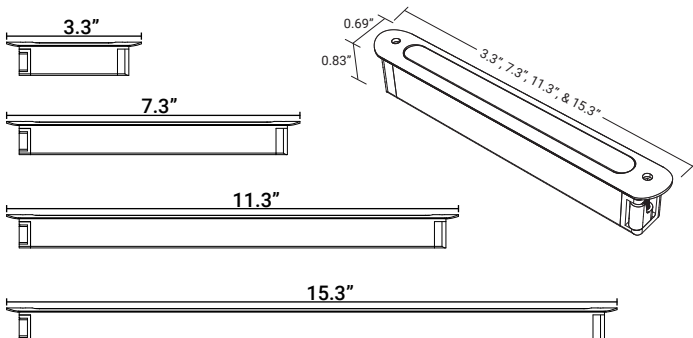




S18R SLOT MODULES



Dimensions



FEATURES

Slot modules cast a focused, downward glow to illuminate every step, minimizing missteps and providing clear visual guidance. Engineered for maximum visual comfort, these individual LED modules can be seamlessly retrofitted into round handrails delivering a subtle radiance that remains entirely out of the direct line of sight. This precise downward beam eliminates glare and unwanted uplighting, curbing sky glow while ensuring pathways stay brightly defined. The sleek, unobtrusive design blends effortlessly into any architectural style, from modern corporate campuses to historic landmarks.

LUMENS	35L - 466L
CCT	27K/30K/35K/40K
DIMMING	Fixed Output
CRI	90+ CRI
VOLTAGE	24v DC - Constant Voltage
IP RATING	IP 67
BEAM PATTERNS	10° / 110° / 135° / Asymm. 45°
WORKING TEMPERATURE	-4° F to 113° F
LIFETIME	50,000 hour LED lifespan



OPTICS

Slot Modules deliver focused, downward illumination to define step edges and improve visibility. Available options include a 10° narrow beam, 45° asymmetric or 135° wide throw distributions, and a 110° soft diffuse glow. The controlled optical design minimizes glare and uplight while keeping the source discreet and out of direct view.

CONSTRUCTION

Slot Modules are built for durable, low-profile integration into round handrails. Each module uses an IP67 sealed light engine to protect internal components from moisture, dust, and outdoor exposure. Designed for stainless steel or aluminum handrail applications, the modules remain discreet from direct view while providing long-term performance in wet-location environments.

INSTALLATION

Slot Modules are designed for fast retrofit installation into existing round handrails. Each module secures from underneath the handrail using a jack screw mechanism, creating a clean fit without exposed fasteners on the top surface. Suitable for standard round handrails with diameters from 1.89" to 2.04" and wall thicknesses from 0.03" to 0.12".

DRIVERS

Power is provided by means of industry leading constant voltage LED drivers rated for universal power input from 120V to 277V at a frequency of 50-60Hz. Elite drivers produce less than 20% THD, and have a power factor of .90 to 1.00.

LISTINGS

UL Listed for Wet Location

cULus Listed for Wet Location

FCC 15 - EMI/RFI emission per FCC 47CFR part 15 at 120VAC or 277VAC

RoHS - Contains no mercury or lead and RoHS compliant

Photometric testing completed in accordance with IES LM-79 and TM-30 standards

Qualifies for California Title 24 high-efficacy LED compliance

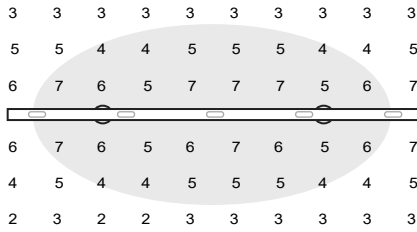
WARRANTY

Five-year warranty for parts and components (labor not included).

MOD-S18R-LED				
SERIES	OPTICS	CCT (90 CRI)	DIMMING	DRIVER
S18R - S18R Slot Round Profile	R3 - 3" Diffuse 110° R7 - 7" Diffuse 110° R11 - 11" Diffuse 110° R15 - 15" Diffuse 110° R35 - Symmetric 135° RA45 - Asymmetric 45° R10 - Narrow 10°	27K - 2700K 30K - 3000K 35K - 3500K 40K - 4000K	DIM10 - 0-10V Dimming FO - Fixed Output	30W - 30 Watt 60W - 60 Watt 96W - 96 Watt

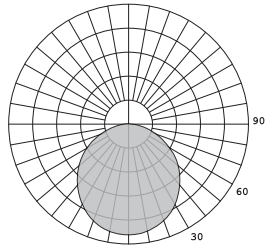
Photometric Data

MOD-S18R-LED-R7



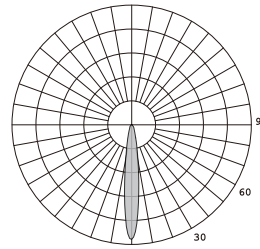
Rail Height: 36"
Module Spacing 2.0 ft.

R3/R7/R11/R15



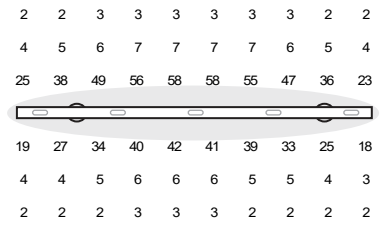
110° Diffuse

R10



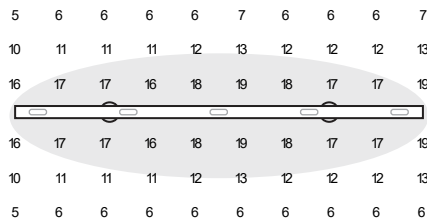
10° Narrow

MOD-S18R-LED-R10



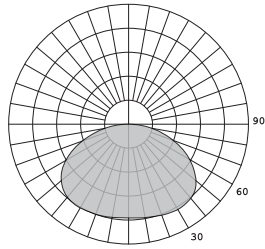
Rail Height: 36"
Module Spacing 2.0 ft.

MOD-S18R-LED-R35



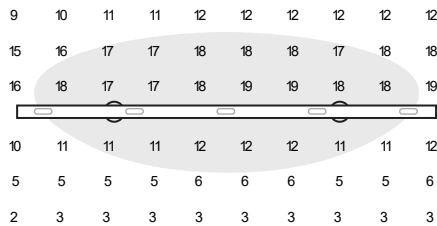
Rail Height: 36"
Module Spacing 2.0 ft.

R35



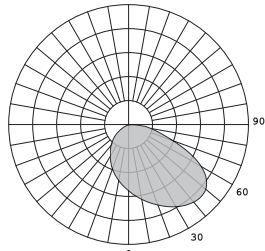
135° Symmetric

MOD-S18R-LED-RA45



Rail Height: 36"
Module Spacing 2.0 ft.

R45



45° Asymmetric

S18R SLOT MODULES

4000K | 90 CRI | 24V

LED MODULE	BEAM ANGLE	LENGTH (in)	LUMENS (lm)	POWER (W)
R3	110°	3.3	35	0.5
R7	110°	7.3	105	1.5
R11	110°	11.3	175	2.5
R15	110°	15.3	245	3.5
R35	135°	4.6	466	5
RA45	45°	4.6	462	5
R10	10°	4.8	173	3.5

LED Module Installation & Removal:

*Suitable for standard round handrail with diameter 1.89" - 2.04" and wall thickness of 0.03" - .12"

