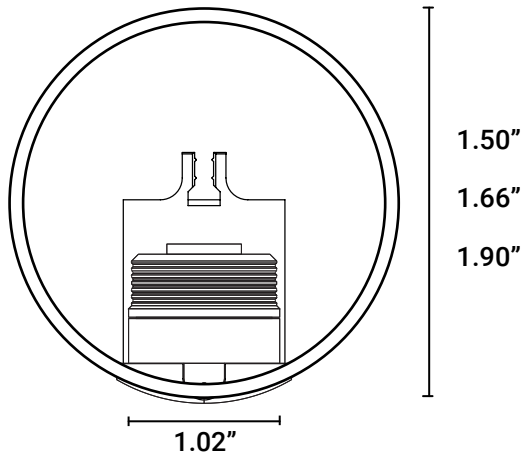
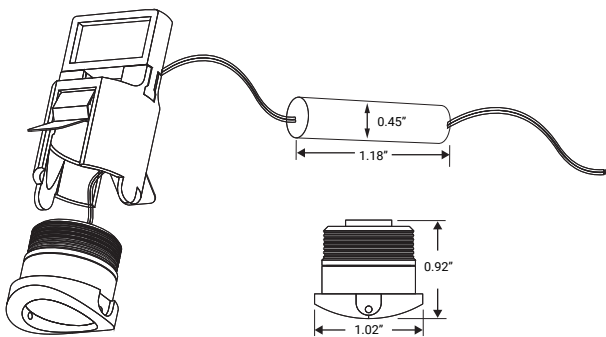


**M26 DOT MODULES**



**Dimensions**



**FEATURES**

M26 Dot Modules deliver targeted step lighting with a precisely controlled downward beam that clearly defines each tread and guides movement along the path of travel. Machined from 316L stainless steel, each module is built to withstand demanding conditions while maintaining a discreet, low-profile presence. Installation is straightforward, a built-in mounting clip adapts to different handrail diameters, and a 1 1/32" carbide hole cutter makes installation into existing round handrails quick and simple. Wire-splice connections keep wiring simple, and a single 96W driver supports up to 60 modules in a continuous run.

LUMENS	111L - 121L
CCT	27K/30K/35K/40K/60K
DIMMING	Fixed Output
CRI	90+ CRI
VOLTAGE	24v DC - Constant Voltage
IP RATING	IP 67
BEAM PATTERNS	60° / Asymmetric 20°
WORKING TEMPERATURE	-4° F to 113° F
LIFETIME	50,000 hour LED lifespan



#### OPTICS

The M26 Dot Modules use a acrylic optic to deliver precise, downward illumination for step and pathway visibility. Available in a 60° narrow flood or a 20° asymmetric distribution, the optics allow light to be directed where it is needed most while minimizing glare, reducing uplight, and preserving clean architectural sight lines. 90 CRI comes standard for accurate color rendering across a range of applications.

#### CONSTRUCTION

The M26 Dot Modules are machined from 316L stainless steel for long-term durability, corrosion resistance, and reliable performance in demanding environments. A built-in mounting clip allows each module to adapt to different handrail diameters while maintaining a secure, low-profile fit. The rugged construction supports discreet integration into round handrails for a clean architectural appearance.

#### INSTALLATION

The M26 Dot Modules are designed for fast retrofit installation into existing round handrails. Each module fits into a Ø26 mm mounting hole, with a 26 mm carbide hole saw, installation tool, and removal key for quick setup and servicing. A built-in mounting clip adapts to different handrail diameters, while wire-splice connections keep wiring simple. One 96W driver can power up to 60 modules for extended continuous runs.

#### DRIVERS

Power is provided by means of industry leading constant voltage LED drivers rated for universal power input from 120V to 277V at a frequency of 50-60Hz. Elite drivers produce less than 20% THD, and have a power factor of .90 to 1.00.

#### LISTINGS

UL Listed for Wet Location

cULus Listed for Wet Location

FCC 15 - EMI/RFI emission per FCC 47CFR part 15 at 120VAC or 277VAC

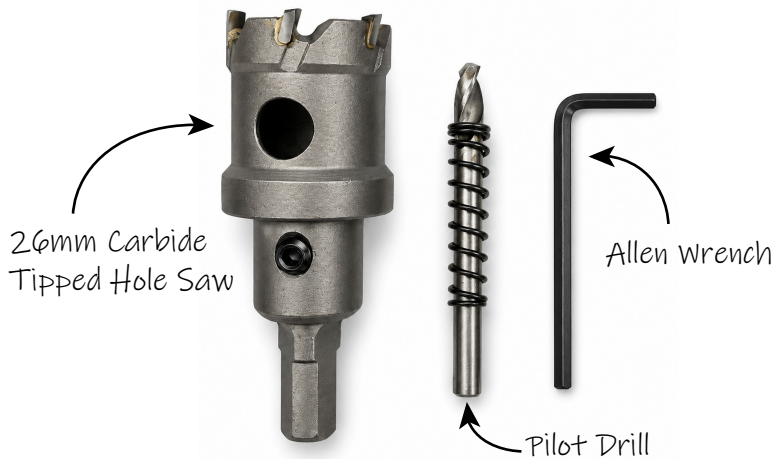
RoHS - Contains no mercury or lead and RoHS compliant

Photometric testing completed in accordance with IES LM-79 and TM-30 standards

Qualifies for California Title 24 high-efficacy LED compliance

#### WARRANTY

Five-year warranty for parts and components (labor not included).

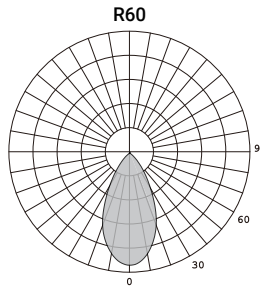


\*Drilling Kit Sold Separately

SERIES	OPTICS	DIAMETER	CCT (90 CRI)	DRILLING KIT	DRIVER
<b>MOD-M26-LED</b> M26 - M26 Dot Round Profile	R60 - Symmetric 60° RA20 - Asymmetric 20°	1.5 - 1.50 in 1.6 - 1.66 in 1.9 - 1.90 in	27K - 2700K 30K - 3000K 35K - 3500K 40K - 4000K 60K - 6000K	DK - Hole Saw + Accessories	30W - 30 Watt 60W - 60 Watt 96W - 96 Watt

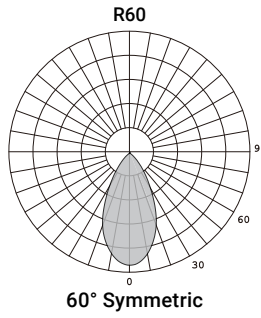
**Photometric Data**

**MOD-M26-LED-R60**



2	3	3	3	4	4	3	3	2	2
5	8	10	10	10	10	10	10	7	4
9	17	22	23	24	24	23	21	15	7
10	19	25	26	27	27	26	24	18	8
5	10	12	13	13	13	12	11	9	4
2	3	4	4	4	4	4	3	3	2

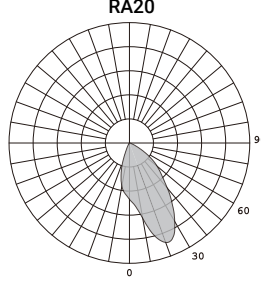
Rail Height: 36"  
Module Spacing 1.0 ft.



**DOT MODULES**  
4000K | 90 CRI | 24V

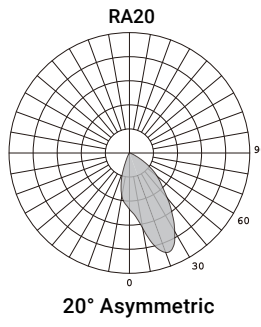
LED MODULE	BEAM ANGLE	LUMENS (lm)	POWER (W)
R60	60°	121	1.5

**MOD-M26-LED-RA20**



1	1	1	2	2	2	1	1	1	1
2	2	3	3	3	3	3	3	2	1
5	8	10	10	10	10	10	10	7	3
7	12	16	17	17	17	17	15	11	6
6	10	14	15	15	15	14	13	9	5
4	7	8	9	9	9	8	8	5	3

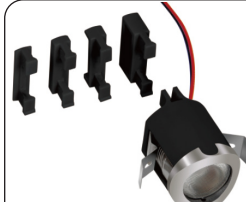
Rail Height: 36"  
Module Spacing 1.0 ft.

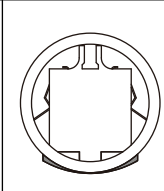
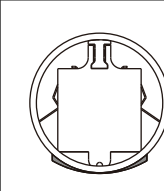
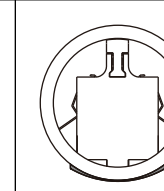
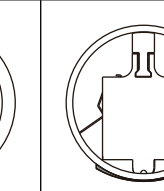
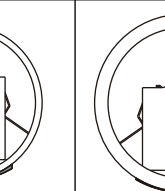


**DOT MODULES**  
4000K | 90 CRI | 24V

LED MODULE	BEAM ANGLE	LUMENS (lm)	POWER (W)
RA20	20°	111	1.5

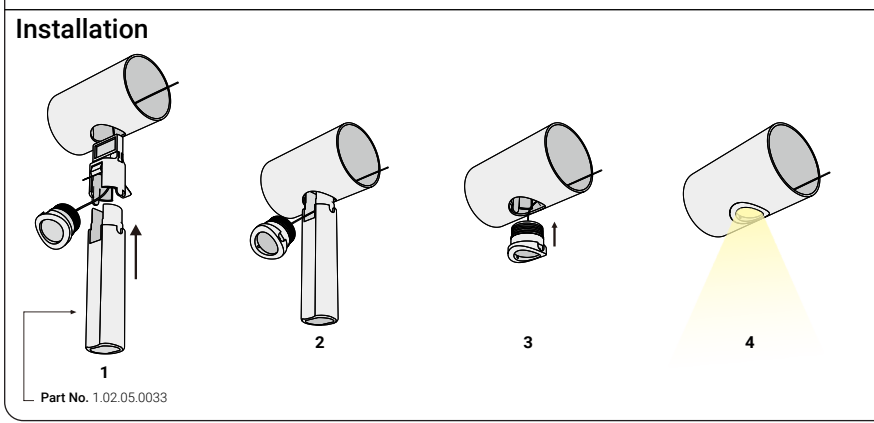
**LED Module Installation & Removal:**



					
<b>Outer Diameter</b>	<b>1.50"</b>	<b>1.50"</b>	<b>1.66"</b>	<b>1.66"</b>	<b>1.90"</b>
<b>Tube Thickness</b>	<b>0.12"</b>	<b>0.07"</b>	<b>0.14"</b>	<b>0.07"</b>	<b>0.14"</b>

\*Use a suitable spacer to stand the module off from the handrail.  
\*Use a larger diameter handrail to achieve a continuous surface profile

**Installation**



Part No. 1.02.05.0033

**Removal**

