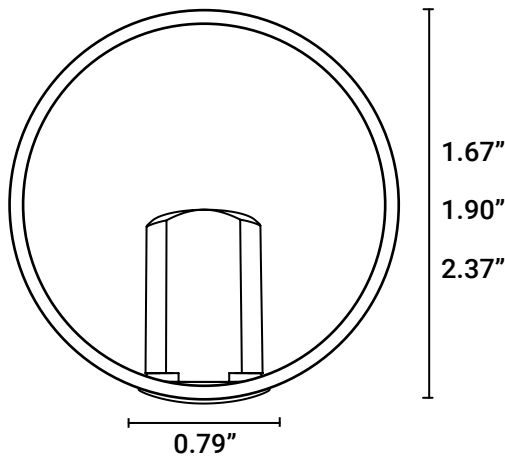
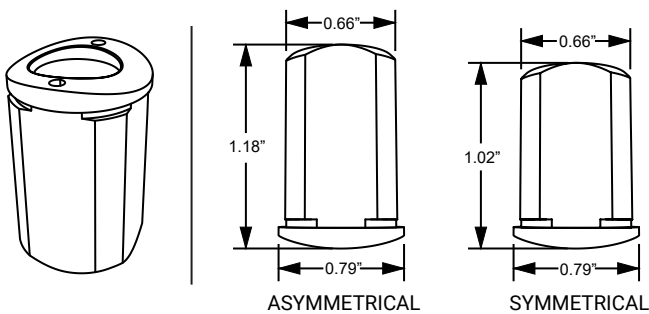




M20 DOT MODULES



Dimensions



FEATURES

The M20 Dot Modules cast focused, downward light that creates contrasting step edges, defines each tread, and guides foot traffic safely along any stairway. Built from 316L stainless steel, four distinct beam distributions let you target light precisely where it counts – cutting glare, eliminating uplighting, and keeping sight lines intact. The slim, refined profile integrates cleanly into both contemporary and traditional architectural settings.

LUMENS	35L - 466L
CCT	27K - 60K/Amber/Blue/Green
DIMMING	Fixed Output
CRI	90+ CRI
VOLTAGE	24v DC - Constant Voltage
IP RATING	IP 67
BEAM PATTERNS	40°/55°/Asymm. 35°/Asymm. 50°
WORKING TEMPERATURE	-4° F to 113° F
LIFETIME	50,000 hour LED lifespan



OPTICS

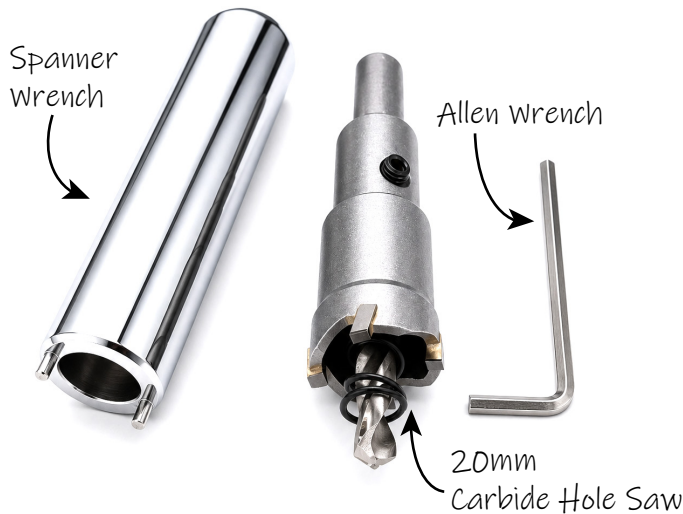
The M20 Dot Module is designed to deliver precise, controlled illumination from a compact point source. Four beam options—40°, 55°, 55° asymmetric, and 35° x 25° asymmetric—allow light to be tailored to the application, from broader step visibility to more focused directional throw.

CONSTRUCTION

The M20 Dot Modules are built from 316L stainless steel for long-term durability and corrosion resistance. Each module features a stainless steel retaining ring, acrylic optic with O-ring seal, and potted electronics to protect against moisture and dust. The compact, low-profile design provides a clean architectural finish while supporting dependable IP67 wet-location performance.

INSTALLATION

M20 Dot Modules install quickly into standard round stainless steel handrails using the included 20 mm hole cutter and spanner wrench. A retaining clip and secure 1/4-turn connection lock each module firmly in place for a clean retrofit installation. The system is compatible with Ø42.4 mm, Ø48.3 mm, and Ø60.3 mm handrails with a Ø20 mm mounting hole, and one 96W driver can power up to 60 modules.



DRIVERS

Power is provided by means of industry leading constant voltage LED drivers rated for universal power input from 120V to 277V at a frequency of 50-60Hz. Elite drivers produce less than 20% THD, and have a power factor of .90 to 1.00.

LISTINGS

UL Listed for Wet Location

cULus Listed for Wet Location

FCC 15 - EMI/RFI emission per FCC 47CFR part 15 at 120VAC or 277VAC

RoHS - Contains no mercury or lead and RoHS compliant

Photometric testing completed in accordance with IES LM-79 and TM-30 standards with calculated Life Time: L70 at 200,000 Hours

Qualifies for California Title 24 high-efficacy LED compliance

WARRANTY

Five-year warranty for parts and components (labor not included).

MOD-M20-LED					
SERIES	OPTICS	DIAMETER	CCT (90 CRI)	DRILLING KIT	DRIVER
M20 - M20 Dot Round Profile	R40 - Symmetric 40° R55 - Symmetric 55° RA55 - Asymmetric 55° RA35 - Asymmetric 35°x25°	1.6 - 1.67" 1.9 - 1.90" 2.3 - 2.37"	27K - 2700K 30K - 3000K 35K - 3500K 40K - 4000K 50K - 5000K 60K - 6000K AMB - Amber 590nm BL - Blue GR - Green	DK - Hole Saw + Accessories	30W - 30 Watt 60W - 60 Watt 96W - 96 Watt

Photometric Data

Symmetric

M20 MODULES
4000K | 90 CRI | 24V

LED MODULE	BEAM ANGLE	LUMENS (lm)	POWER (W)
R40	40°	110	1.2
R55	55°	125	1.2

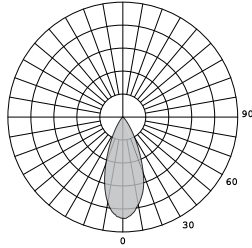


MOD-M20-LED-R40

1	1	1	2	2	2	1	1	1	1
2	4	4	5	5	5	4	4	3	2
5	23	25	25	25	25	25	25	22	4
5	20	23	23	23	23	23	22	19	4
2	3	4	4	4	4	4	4	3	2
1	1	1	1	1	1	1	1	1	1

Rail Height: 36"
Module Spacing 1.0 ft.

40° Spot

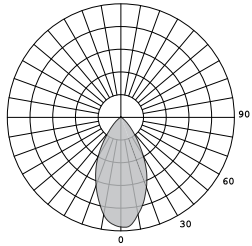


MOD-M20-LED-R55

2	3	4	4	4	4	4	4	3	2
6	10	13	14	14	14	14	13	10	5
10	21	28	30	30	30	30	27	20	9
10	20	27	29	29	29	29	26	20	9
2	3	4	5	5	5	4	4	3	2
1	2	2	2	2	2	2	2	1	1

Rail Height: 36"
Module Spacing 1.0 ft.

55° Spot



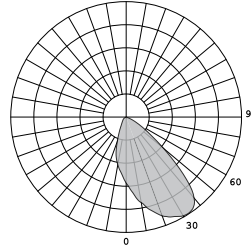
Asymmetric

M20 MODULES
4000K | 90 CRI | 24V

LED MODULE	BEAM ANGLE	LUMENS (lm)	POWER (W)
RA50	50°	95	1.2
RA35	35° x 25°	77	1.2



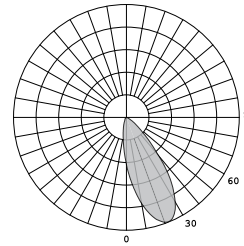
Asymmetric 50°



MOD-M20-LED-RA50

1	1	1	1	1	1	1	1	1	1
1	2	2	3	3	3	3	2	2	2
3	7	9	10	10	10	10	9	8	4
6	13	17	19	19	19	19	18	14	6
6	12	17	18	19	19	19	17	13	8
4	7	10	11	11	11	10	10	8	5

Rail Height: 36"
Module Spacing 1.0 ft.



35 x 25° Asymmetric

MOD-M20-LED-RA35

1	1	1	2	2	2	1	1	1	1
1	2	2	2	2	2	2	2	2	1
3	5	5	6	6	6	6	5	4	2
5	15	16	17	17	17	17	16	13	3
5	14	15	16	16	16	16	15	12	3
3	5	7	7	7	7	7	6	5	2

Rail Height: 36"
Module Spacing 1.0 ft.

LED Module Installation & Removal:

