

Side canopy mounting shown.

**FEATURES**

The LOOP SLIM TRIANGULAR LED Suspended Direct/Indirect light is an advanced, high-performance luminaire designed to visually elevate a space through its style and uninterrupted, even, glow.

Built as a single continuous extruded aluminum profile, 1.5" W x 2.3" H, with a flexible polycarbonate diffuser, the luminaire provides simplified installation and a clean, minimalist appearance.

Available in three different sizes and three lumen outputs, for a variety of design options. An internal driver and adjustable CCT switch inside the canopy allow for versatile color temperature transitions during or after installation, to suit different atmospheres.

Two suspended mounting options (central canopy and side canopy) with an adjustable cord allow for playful positioning at various angles, alone, or in group or "cluster" mountings.

Available in classic black or white finishes or custom RAL colors to seamlessly complement any interior style. Ideal for transforming office, commercial, lobby, and hospitality lighting into an artful experience.

Two Suspended Mounting Options Included		SIZE	LUMENS	WATTS
<b>Central Canopy</b>	<b>Side Canopy</b>	23" x 21"	4000L	37W
		35" x 32"	6000L	55W
		47" x 43"	7000L	73W



**TECHNICAL DETAILS**

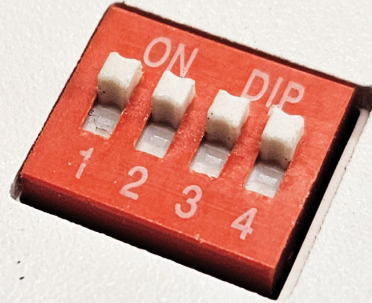
<b>Lumens</b>	4000L, 6000L, 7000L
<b>CCT</b>	3000K/3500K/4000K
<b>CRI</b>	90+
<b>Power</b>	37W, 55W, 73W
<b>Dimensions</b>	23" x 21", 35" x 32", 47" x 43"
<b>Mounting</b>	Suspended Mount (Adjustable 11ft length cords)
<b>IP Rating</b>	IP40
<b>Color</b>	● White ● Black ● Custom RAL

<b>Input Voltage</b>	120-277 VAC
<b>Efficiency</b>	100L/W
<b>Dimming</b>	0-10V Dimming
<b>Life Time</b>	L80B20 at 50,000 hours
<b>Material</b>	Aluminum Body / PC Diffuser
<b>Accessories:</b>	1 Central Canopy
<b>Included</b>	1 Side Canopy
"Side canopy or central canopy mounting options".	1 Wire Holder
	3 Suspension Cables



# SWITCH FUNCTION

LUMEN DISTRIBUTION

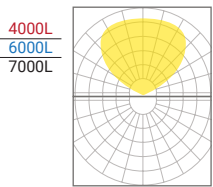


The lumen distribution switch, located inside the profile, is responsible for distributing light both upward and downward of the luminaire.

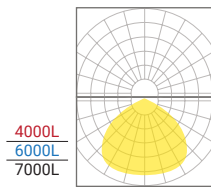
ON	ON	DIP	DIP	100%	0%
ON	ON	DIP	-	70%	30%
ON	ON	-	-	50%	50%
ON	-	-	-	30%	70%
-	-	-	-	0%	100%
1	2	3	4	UP	DOWN

## LUMEN DISTRIBUTION

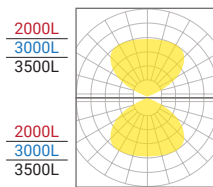
CCT switch located inside the profile.



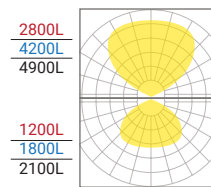
**100% UP**  
ON-ON-DIP-DIP



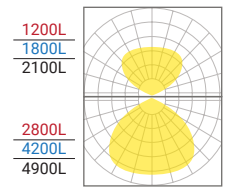
**100% DOWN**  
- - - -



**50% Up + 50% Dn**  
ON-ON- - -



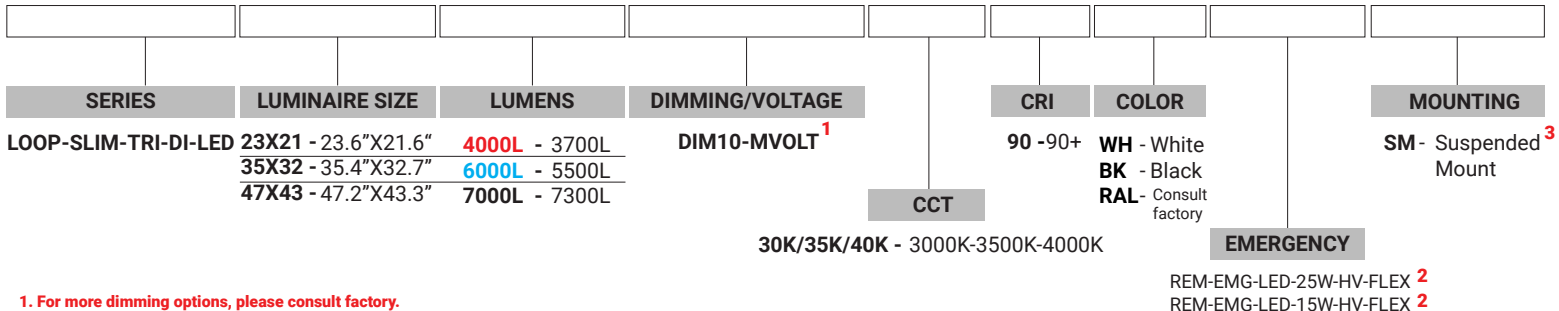
**70% Up + 30% Dn**  
ON-ON-DIP- -



**70% Dn + 30% Up**  
ON- - - -

For the **100% UP** and **100% DownLight** options, the lumen output will remain the same whether the light is directed **downward** or **upward**.

Example: LOOP-SLIM-TRI-DI-LED-23X21-4000L-DIM10-MVOLT-30K/35K/40K-90-WH-SM

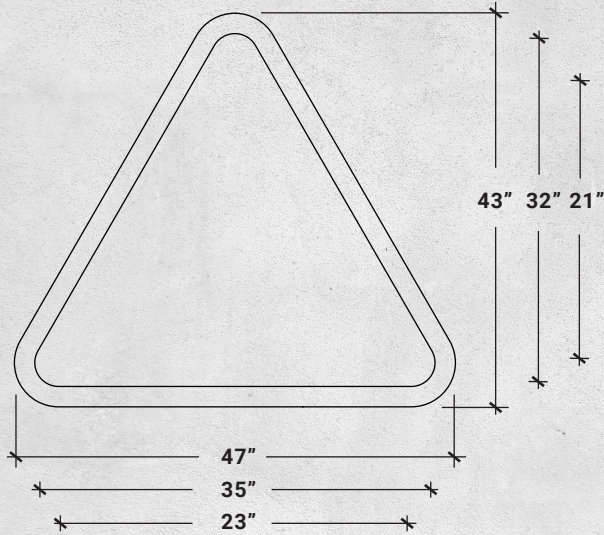
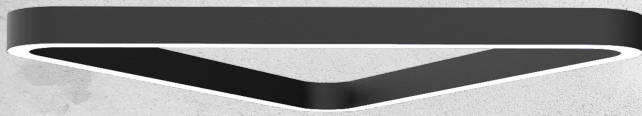


1. For more dimming options, please consult factory.

2. Remote emergency option.

3. The fixture comes with a central canopy mounting as the standard option. If side canopy mounting is desired, it must be modified in the field.

Note: The lead time for all options listed above is approximately 4-5 weeks due to their slim profile and specialized technology.



**SIZES**

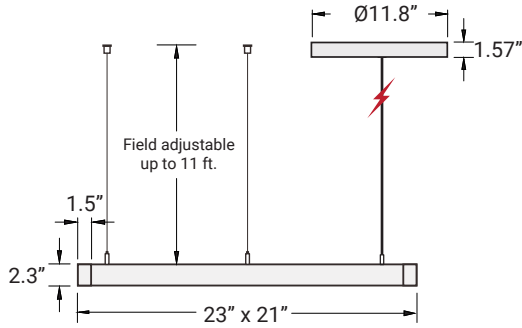
<b>23" x 21"</b>	Width 1.5" / Height 2.3"
<b>35" x 32"</b>	Width 1.5" / Height 2.3"
<b>47" x 43"</b>	Width 1.5" / Height 2.3"



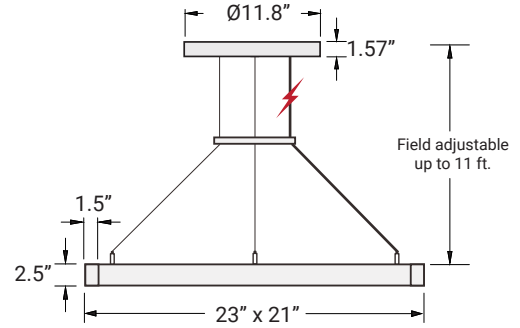
**Mounting Options**

The fixture comes with a central canopy mounting as the standard option. If side canopy mounting is desired, it must be modified in the field.

**Side Canopy Mounting**

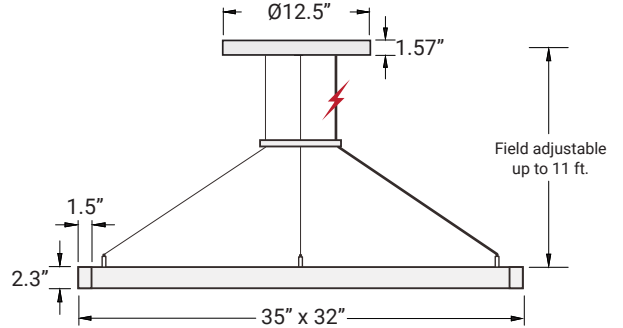
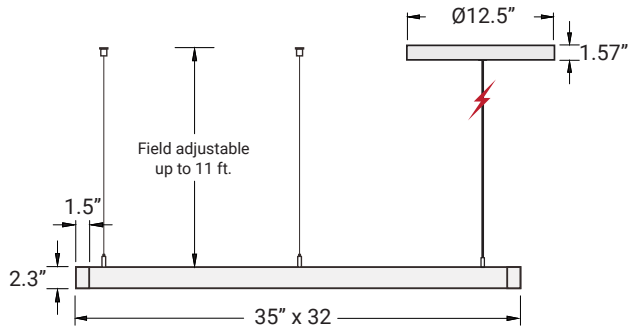


**Central Canopy Mounting**



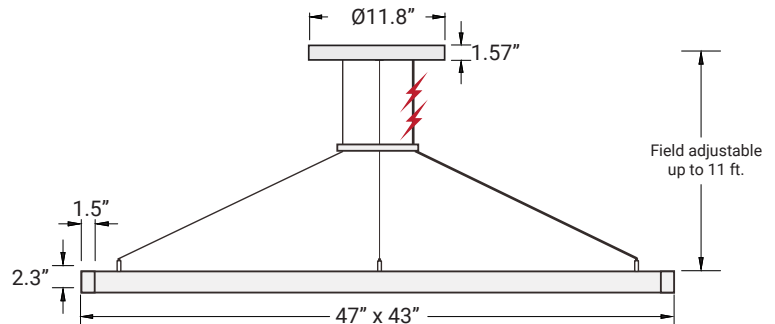
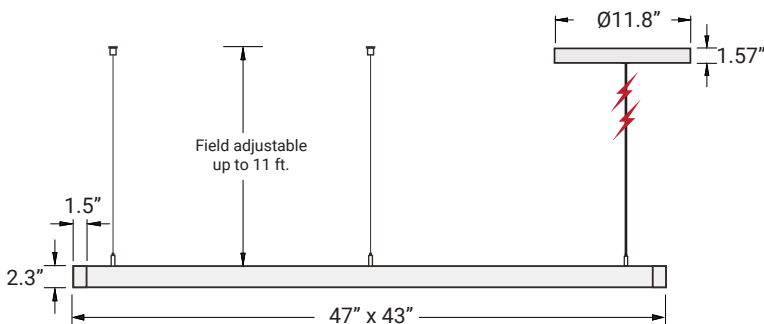
⚡ 1 Power cable

The driver and CCT switch are located inside the canopy. The luminaire comes with 3 suspension cables, each 11ft in length, 1 central canopy, 1 wire holder, and 1 side canopy. Please note that the lead time for this fixture is approximately 4-5 weeks due to its slim profile and specialized technology.



⚡ 1 Power cable

The driver and CCT switch are located inside the canopy. The luminaire comes with 3 suspension cables, each 11ft in length, 1 central canopy, 1 wire holder, and 1 side canopy. Please note that the lead time for this fixture is approximately 4-5 weeks due to its slim profile and specialized technology.



⚡ 2 Power cables

The drivers and CCT switch are located inside the canopy. The luminaire comes with 3 suspension cables, each 11ft in length, 1 central canopy, 1 wire holder, and 1 side canopy. Please note that the lead time for this fixture is approximately 4-5 weeks due to its slim profile and specialized technology.