

Side canopy mounting shown.

FEATURES

The LOOP SLIM SQUARE LED Suspended Direct/Indirect light is an advanced, high-performance luminaire designed to visually elevate a space through its style and uninterrupted, even, glow.

Built as a single continuous extruded aluminum profile, 1.5" W x 2.3" H, with a flexible polycarbonate diffuser, the luminaire provides simplified installation and a clean, minimalist appearance.

Available in three different sizes and three lumen outputs, for a variety of design options. An internal driver and adjustable CCT switch inside the canopy allow for versatile color temperature transitions during or after installation, to suit different atmospheres.

Two suspended mounting options (central canopy and side canopy) with an adjustable cord allow for playful positioning at various angles, alone, or in group or "cluster" mountings.

Available in classic black or white finishes or custom RAL colors to seamlessly complement any interior style. Ideal for transforming office, commercial, lobby, and hospitality lighting into an artful experience.

Two Suspended Mounting Options Included		SIZE	LUMENS	WATTS
Central Canopy	Side Canopy	23" X 23"	4000L	40W
		35" X 35"	6000L	60W
		47" X 47"	8000L	80W



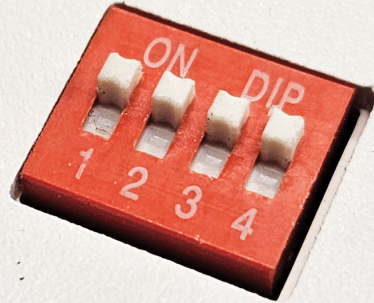
TECHNICAL DETAILS

Lumens	4000L, 6000L, 8000L
CCT	3000K/3500K/4000K
CRI	90+
Power	40W, 60W, 80W
Square Size	23" x 23", 35" x 35", 47" x 47"
Mounting	Suspended Mount (Adjustable 11-ft length cords)
IP Rating	IP40
Color	● White ● Black ● Custom RAL

Input Voltage	120-277 VAC
Efficiency	100L/W
Dimming	0-10V Dimming
Life Time	L80B20 at 50,000 hours
Material	Aluminum Body / PC Diffuser
Accessories: (Included)	1 Central Canopy
	1 Side Canopy
"Side canopy or central canopy mounting options".	1 Wire Holder
	4 Suspension Cables

SWITCH FUNCTION

LUMEN DISTRIBUTION

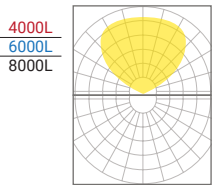


The lumen distribution switch, located inside the canopy, is responsible for distributing light both upward and downward of the luminaire.

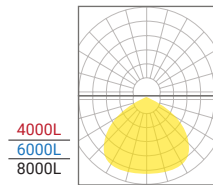
ON	ON	DIP	DIP	100%	0%
ON	ON	DIP	-	70%	30%
ON	ON	-	-	50%	50%
ON	-	-	-	30%	70%
-	-	-	-	0%	100%
1	2	3	4	UP	DOWN

LUMEN DISTRIBUTION

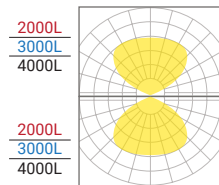
CCT switch located inside the canopy.



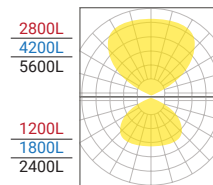
100% UP
ON-ON-DIP-DIP



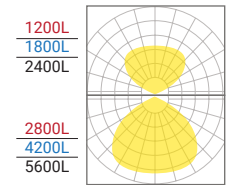
100% DOWN
- - - -



50% Up + 50% Dn
ON-ON- - -



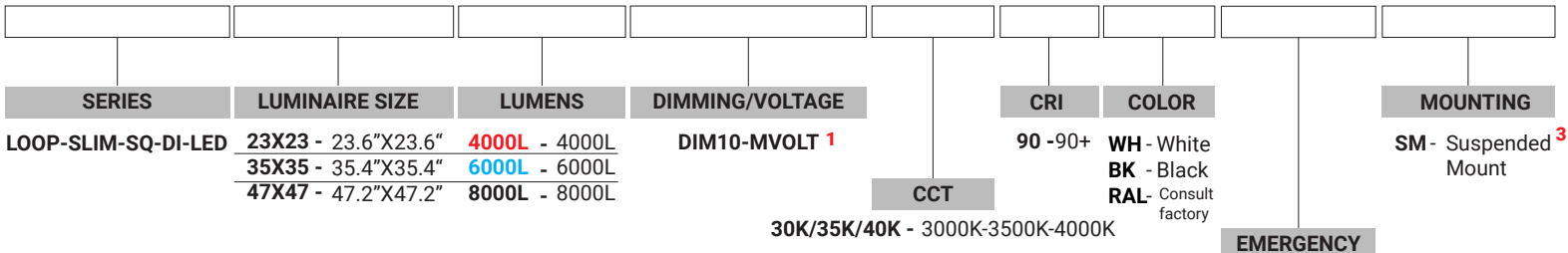
70% Up + 30% Dn
ON-ON-DIP- -



70% Dn + 30% Up
ON- - - -

For the **100% UP** and **100% Down** Light options, the lumen output will remain the same whether the light is directed **downward** or **upward**.

Example: LOOP-SLIM-SQ-DI-LED-23X23-4000L-DIM10-MVOLT-30K/35K/40K-90-WH-SM

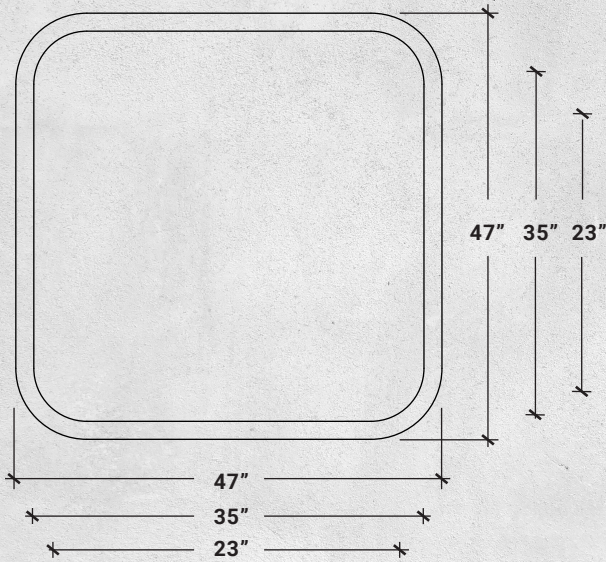


1. For more dimming options, please consult factory.

2. Remote emergency option.

3. The fixture comes with a central canopy mounting as the standard option. If side canopy mounting is desired, it must be modified in the field.

Note: The lead time for all options listed above is approximately 4-5 weeks due to their slim profile and specialized technology.



SIZES

23" x 23"	Width 1.5" / Height 2.3"
35" x 35"	Width 1.5" / Height 2.3"
47" x 47"	Width 1.5" / Height 2.3"



LOOP-SLIM

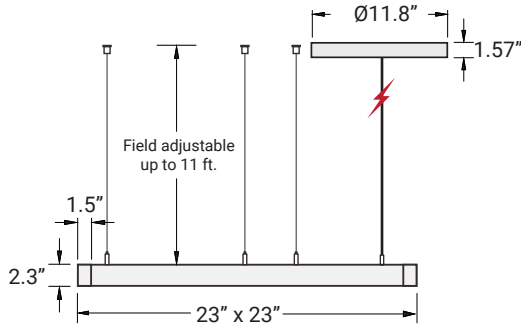
LED Geometric Pendants

Easy 3 Colors
SELECTTOR
3000K • 3500K • 4000K

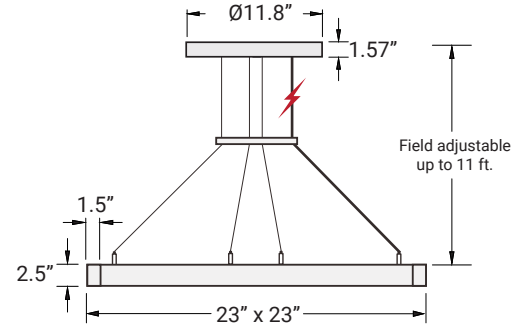
Mounting Options

The fixture comes with a central canopy mounting as the standard option. If side canopy mounting is desired, it must be modified in the field.

Side Canopy Mounting

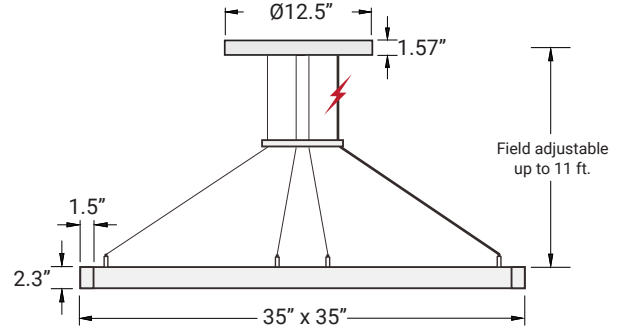
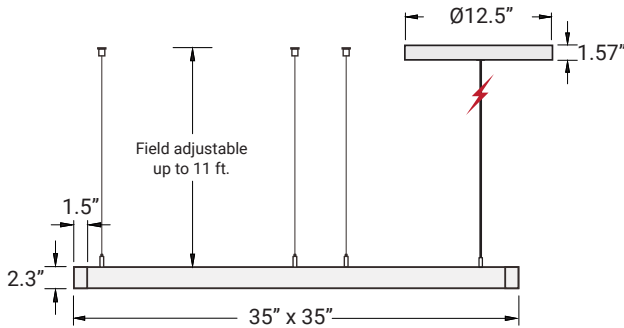


Central Canopy Mounting



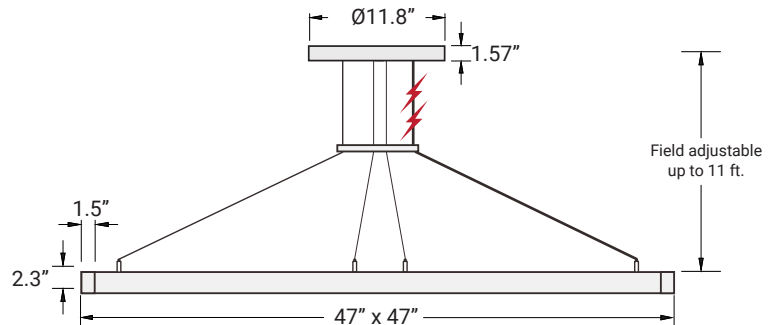
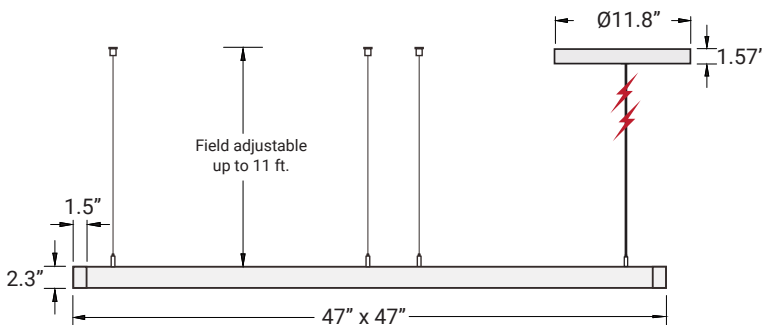
1 Power cable

The driver and CCT switch are located inside the canopy. The luminaire comes with 4 suspension cables, each 11ft in length, 1 central canopy, 1 wire holder, and 1 side canopy. Please note that the lead time for this fixture is approximately 4-5 weeks due to its slim profile and specialized technology.



1 Power cable

The driver and CCT switch are located inside the canopy. The luminaire comes with 4 suspension cables, each 11ft in length, 1 central canopy, 1 wire holder, and 1 side canopy. Please note that the lead time for this fixture is approximately 4-5 weeks due to its slim profile and specialized technology.



2 Power cables

The drivers and CCT switch are located inside the canopy. The luminaire comes with 4 suspension cables, each 11ft in length, 1 central canopy, 1 wire holder, and 1 side canopy. Please note that the lead time for this fixture is approximately 4-5 weeks due to its slim profile and specialized technology.