



FEATURES

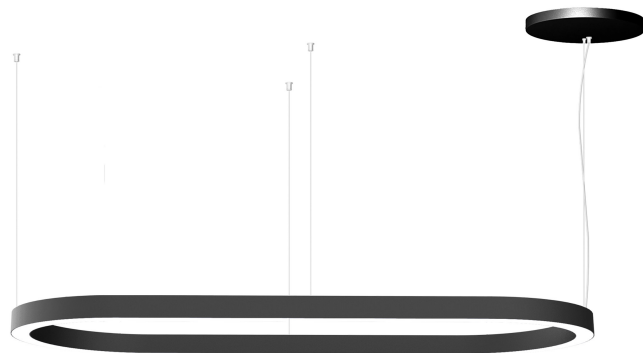
The LOOP SLIM OVAL LED Suspended Direct/Indirect Light is an advanced, high-performance luminaire designed to elevate a space with its sleek style and uninterrupted, uniform glow.

Built as a single continuous extruded aluminum profile, 1.5" W x 2.3" H, with a flexible polycarbonate diffuser, the luminaire provides simplified installation and a clean, minimalist appearance.

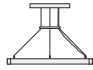

Available in three different sizes and three lumen outputs, for a variety of design options. An internal driver and adjustable CCT switch inside the canopy allow for versatile color temperature transitions during or after installation, to suit different atmospheres.

Two suspended mounting options (central canopy and side canopy) with an adjustable cord allow for playful positioning at various angles, alone, or in group or "cluster" mountings.

Available in classic black or white finishes or custom RAL colors to seamlessly complement any interior style. Ideal for transforming office, commercial, lobby, and hospitality lighting into an artful experience.



Side canopy mounting option shown.

Two Suspended Mounting Options Included		SIZE	LUMENS	WATTS
Central Canopy 	Side Canopy 	37" x 17"	5000L	50W
		47" x 23"	6000L	60W
		58" x 29"	7600L	76W

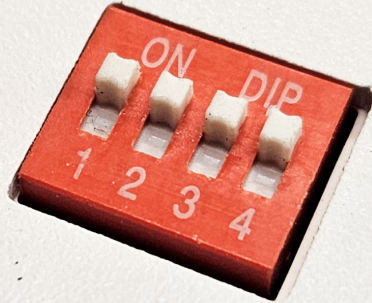
TECHNICAL DETAILS

Lumens	5000L, 6000L, 7600L
CCT	3000K/3500K/4000K
CRI	90+
Power	50W, 60W, 76W
Dimensions	37" x 17", 47" x 23", 58" x 29"
Mounting	Suspended Mount (Adjustable 11-ft length cords)
IP Rating	IP40
Color	● White ● Black ● Custom RAL

Input Voltage	120-277 VAC
Efficiency	100L/W
Dimming	0-10V Dimming
Life Time	L80B20 at 50,000 hours
Material	Aluminum Body / PC Diffuser
Accessories:	1 Central Canopy
(Included)	1 Side Canopy
"Side canopy or central canopy mounting options".	1 Wire Holder
	3 Suspension Cables

SWITCH FUNCTION

LUMEN DISTRIBUTION

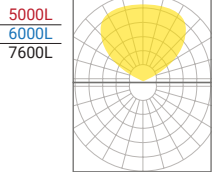


The lumen distribution switch, located inside the canopy, is responsible for distributing light both upward and downward of the luminaire.

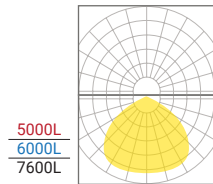
ON	ON	DIP	DIP	100%	0%
ON	ON	DIP	-	70%	30%
ON	ON	-	-	50%	50%
ON	-	-	-	30%	70%
-	-	-	-	0%	100%
1	2	3	4	UP	DOWN

LUMEN DISTRIBUTION

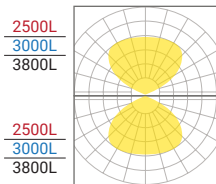
CCT switch located inside the canopy.



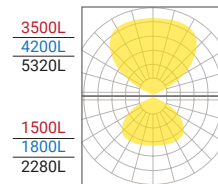
100% UP
ON-ON-DIP-DIP



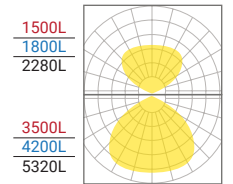
100% DOWN
- - - -



50% Up + 50% Dn
ON-ON- - -



70% Up + 30% Dn
ON-ON-DIP- -



70% Dn + 30% Up
ON- - - -

For the 100% UP and 100% DownLight options, the lumen output will remain the same whether the light is directed downward or upward.

Example: LOOP-SLIM-OV-DI-LED-37X17-5000L-DIM10-MVOLT-30K/35K/40K-90-WH-SM

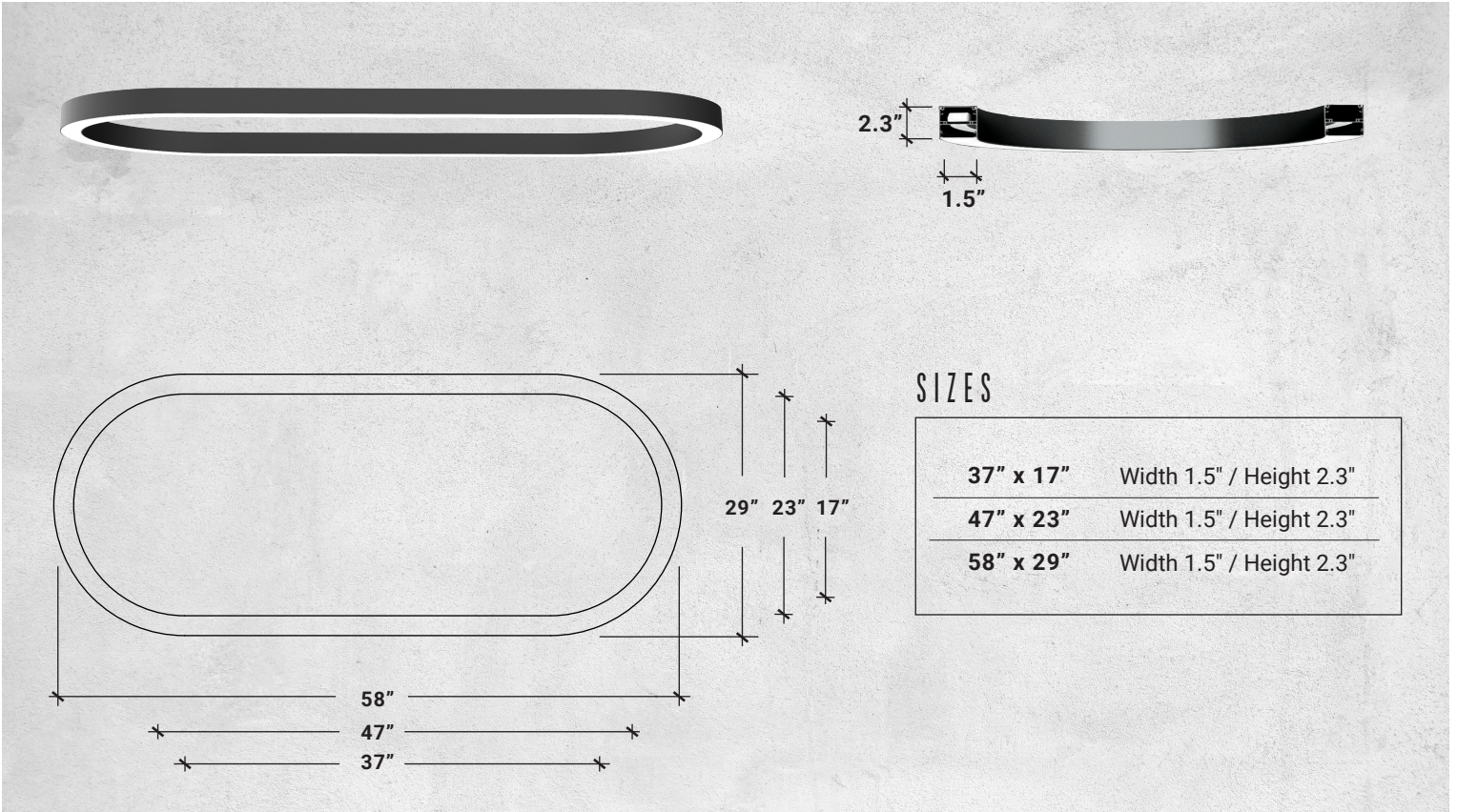
SERIES	LUMINAIRE SIZE	LUMENS	DIMMING/VOLTAGE	CRI	COLOR	MOUNTING
LOOP-SLIM-OV-DI-LED	37X17 - 37.4"X17.7" 47X23 - 47.2"X23.6" 58X29 - 58.6"X29.1"	5000L - 5000L 6000L - 6000L 7600L - 7600L	DIM10-MVOLT ¹	90 -90+	WH - White BK - Black RAL- Consult factory	SM - Suspended ³ Mount
			CCT	EMERGENCY		
			30K/35K/40K - 3000K-3500K-4000K	REM-EMG-LED-25W-HV-FLEX ² REM-EMG-LED-15W-HV-FLEX ²		

1. For more dimming options, please consult factory.

2. Remote emergency option.

3. The fixture comes with a central canopy mounting as the standard option. If side canopy mounting is desired, it must be modified in the field.

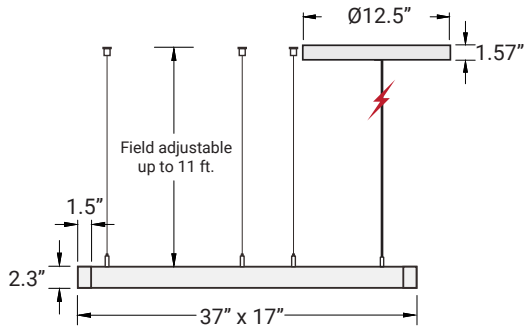
Note: The lead time for all options listed above is approximately 4-5 weeks due to their slim profile and specialized technology.



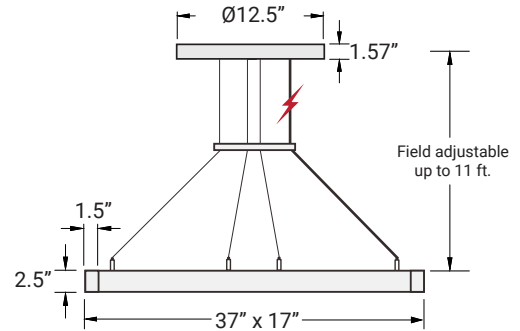
Mounting Options

The fixture comes with a central canopy mounting as the standard option. If side canopy mounting is desired, it must be modified in the field.

Side Canopy Mounting

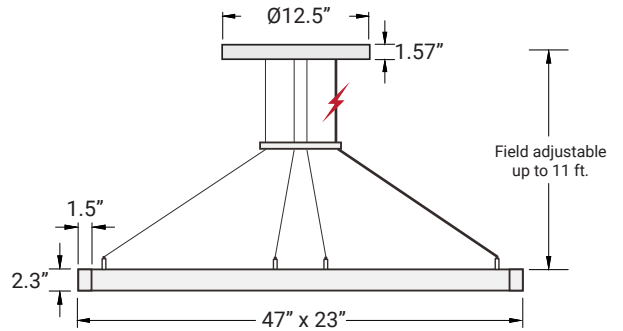
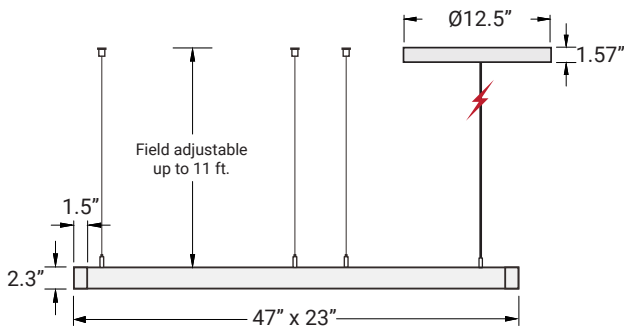


Central Canopy Mounting



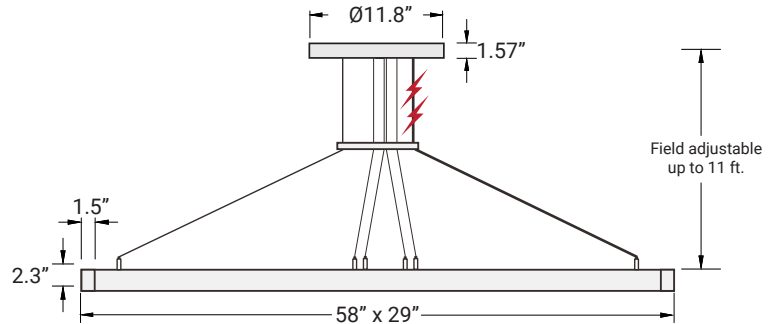
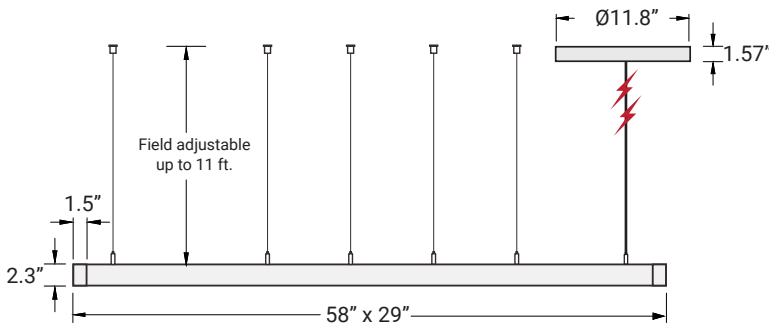
1 Power cable

The driver and CCT switch are located inside the canopy. The luminaire comes with 4 suspension cables, each 11ft in length, 1 central canopy, 1 wire holder, and 1 side canopy. Please note that the lead time for this fixture is approximately 4-5 weeks due to its slim profile and specialized technology.



1 Power cable

The driver and CCT switch are located inside the canopy. The luminaire comes with 4 suspension cables, each 11ft in length, 1 central canopy, 1 wire holder, and 1 side canopy. Please note that the lead time for this fixture is approximately 4-5 weeks due to its slim profile and specialized technology.



2 Power cables

The driver and CCT switch are located inside the canopy. The luminaire comes with 6 suspension cables, each 11ft in length, 1 central canopy, 1 wire holder, and 1 side canopy. Please note that the lead time for this fixture is approximately 4-5 weeks due to its slim profile and specialized technology.